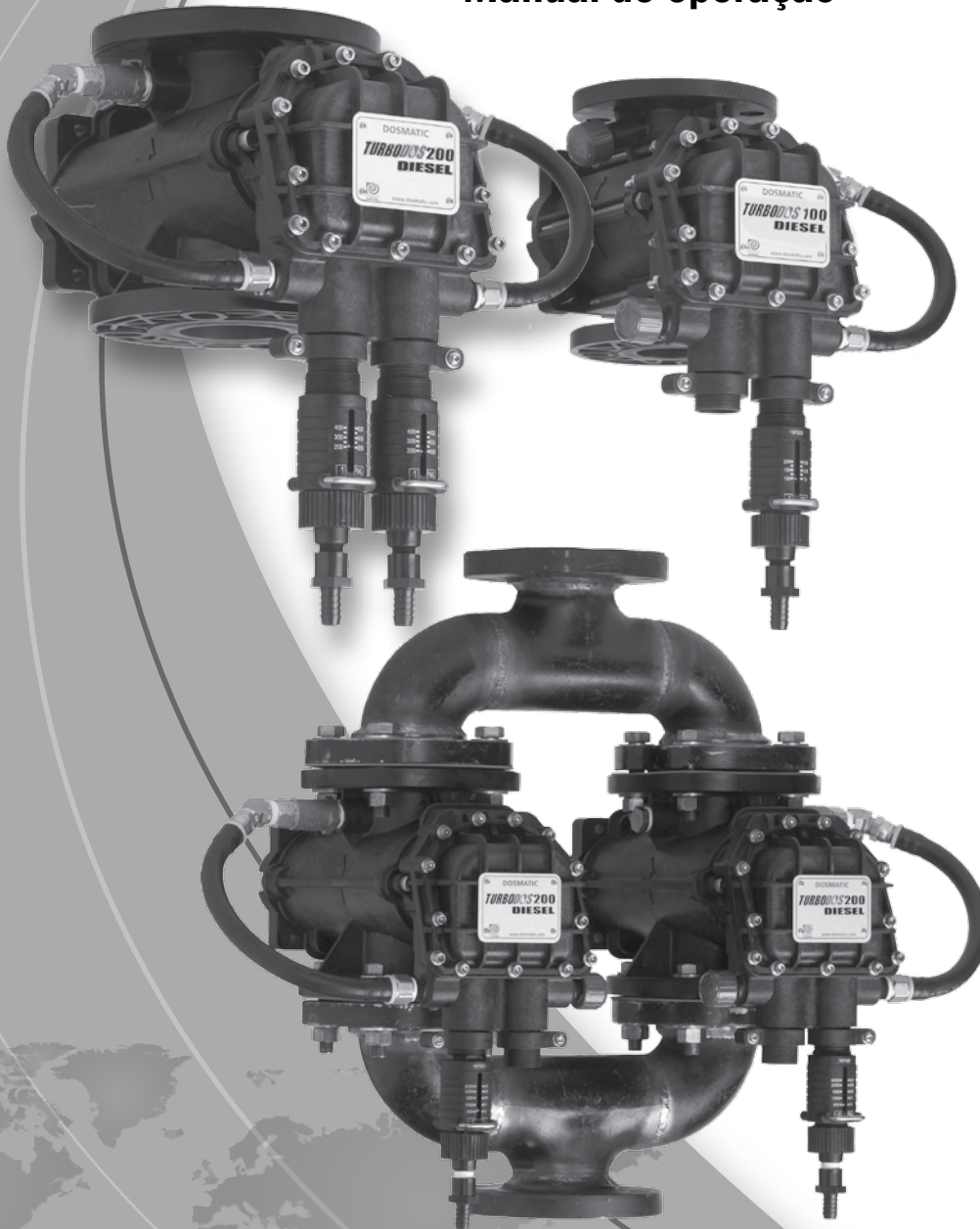


# **TURBODOS<sup>®</sup>** **DIESEL**

**Operating Manual • Mode D'Emploi  
Bedienungs Handbuch • Manual de Operación  
Manual de operação**



**TurboDos 100**  
**Model 0.5%**  
**Model 1%**  
**Model 0.25%**

**TurboDos 200**  
**Model 0.25%**  
**Model 0.5%**  
**Model 0.13%**

**TurboDos 400**  
**Model 0.25%**  
**Model 0.5%**  
**Model 0.13%**

**Diesel Flow Range:**

**Débit d'eau:**

**Durchflussmenge:**

**Caudal de trabajo:**

**Vazão Operativa:**

20 gpm to 400 gpm

75 l/mn to 1514 l/mn

**Injection Range**

**Dosage:**

**Dosierung:**

**Dosificación:**

**Injeção:**

0.025% to 1%

1:4000 to 1:100

**Operating Pressure:**

**Pressión:**

**Druck:**

**Presión operativa:**

**Pressão operativa:**

20 to 120 psi

1,38 to 8,3 bar

 **Dosmatic<sup>®</sup>**

a Hydro Systems Brand

The Technology Leader In Fluid-Driven Proportional Injectors

Dosmatic USA Certified ISO 9001:2008 QMS



<b>English.....</b>	<b>3-21</b>
<b>Français.....</b>	<b>23-33</b>
<b>Deutsch.....</b>	<b>34-44</b>
<b>Español.....</b>	<b>45-55</b>
<b>Português.....</b>	<b>56-66</b>

**Dosmatic Offices:**

**Dosmatic USA**

1230 Crowley Circle  
Carrollton, TX USA 75006  
Tel: (972) 245-9765  
Fax: (972) 245-9000  
Email:info@dosmatic.com  
www.dosmatic.com

**Dosmatic Europe**

20 Route de Taillefer  
33450 Montussan  
(Bordeaux) France  
Tel: +33 (0)5 57 97 13 13  
Fax: +33 (0)5 57 97 10 19  
Email:info@dosmatic-europe.com

**Dosmatic Asia Co., Ltd.**

861/8 T.I.T. Tower Rm. 1703  
Satupradit Rd.  
Bangkok, Thailand 10120  
Tel: +66 (0) 26 74 97 58  
Fax: +66 (0) 26 74 97 59  
Email:info@dosmaticasia.com

**Dosmatic Latin America**

Loria 398, 4° Piso Of. 16  
Lomas de Zamora  
CP B1832 IXH  
Provincia de Buenos Aires, Argentina  
Tel: +54 11 4115 1235  
Fax: +54 11 4115 1481  
Email: info@dosmaticla.com.ar

**Dosmatic Franchise Offices:**

**Dosmatic Japan - Hytem**

2-10 Techno Plaza  
Kakamigahara City, 504 Japan  
Tel: +81 (0) 583 83 0505  
Fax: +81 (0) 583 83 1230  
Email:info@hytem.com

**Dosmatic Australia~New Zealand**

P.O. Box 9074  
Wyoming, NSW 2250 Australia  
Tel: +61 (0) 2 43 29 09 05  
Fax: +61 (0) 2 43 29 09 04  
Email:doug.rowe@dosmatic-anz.com.au

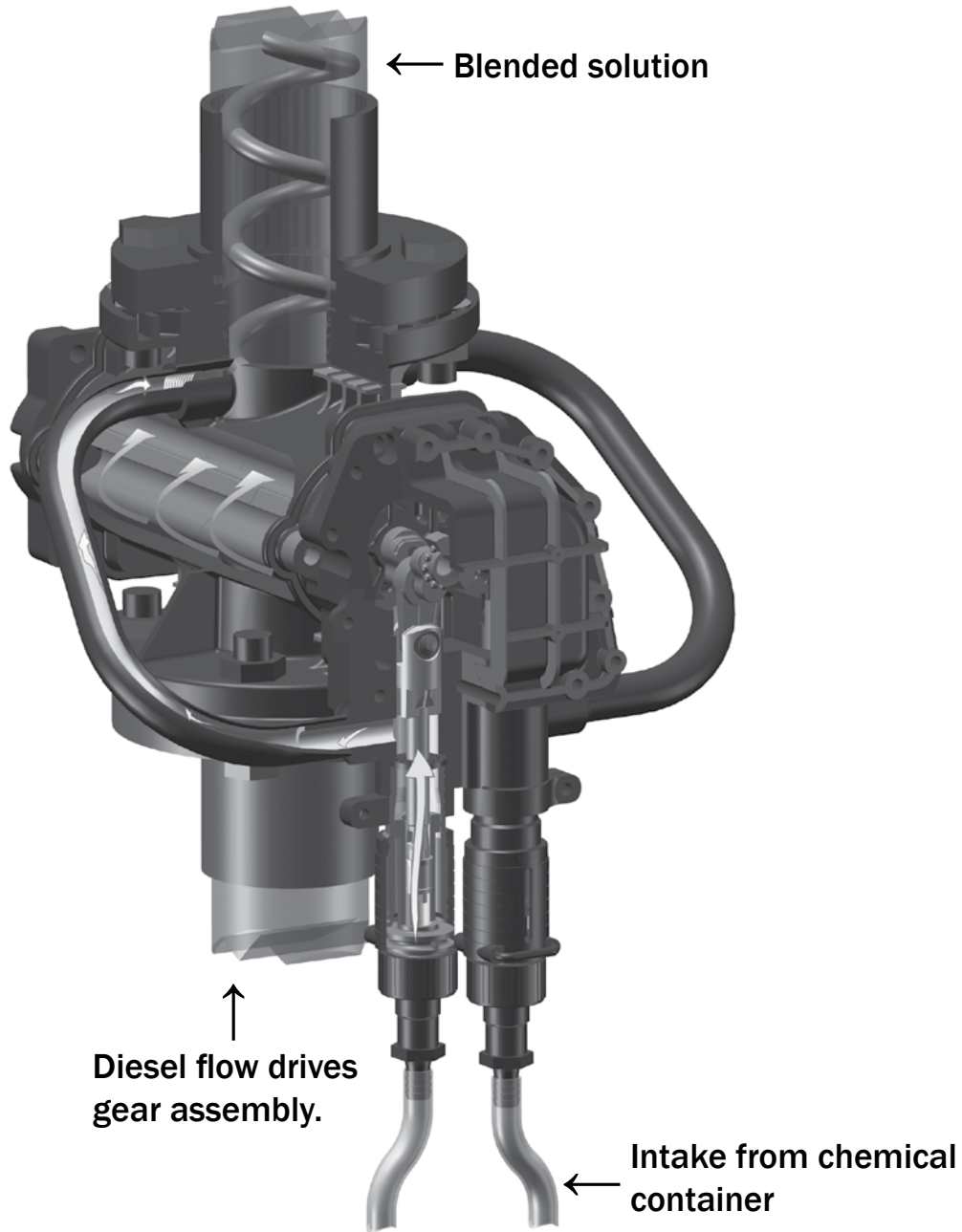
**Dosmatic Brazil - Plaznova**

Plaznova Louveira Ind. e Com.Ltda  
Estrada Francisco Pagotto 50  
Bairro Capivari  
Louveira-SP, Brazil 13290-000 BR  
Tel: 55-19-38765403  
Fax: 55-19-3886-2842  
Email: plasnova@narepresentacoes.com.br

# Operating Principle

Accurate and Reliable

The injector is installed directly in the diesel line using no electricity only diesel pressure as the power source. The diesel drives the polymer gear assembly sealed with patented elastomer wipers. The gears then turn a bearing supported crank assembly with a reciprocating suction mechanism (dosage piston). This draws a preset amount (lower end setting) of chemical from an open container into the injector. The amount of chemical will be directly proportional to the volume of diesel entering the injector, regardless of variations in flow or pressure.



# English

## Contents

Operating Principle .....	3
Package Contents .....	5
Specifications .....	6
Safety Precautions .....	7
Warranty Compliance .....	7
General Tips .....	7
Operations .....	8
Installation and Start-up .....	9
Installation Dimensions .....	9
Installation and Start-up .....	10
Suggested Installation Diagram .....	10
TurboDos 400 Installation Instructions .....	11
Maintenance .....	12
Routine Maintenance Instructions .....	13
Troubleshooting .....	14
Injector Repair Parts .....	15
TurboDos 100 .....	15
Lower end injector & wear parts kits 0.25%: .....	16
Lower end injector & wear parts kits 0.5%: .....	17
Lower end injector & wear parts kits 1%: .....	18
Injector Repair Parts .....	19
TurboDos 200 .....	19
Lower end injector & wear parts kits 0.25%: .....	20
Lower end injector & wear parts kits 0.5%: .....	21
Lower end injector & wear parts kits 0.13%: .....	22
Warranty .....	23

**Please read this manual carefully before putting the Dosmatic injector into operation.**

This booklet has the information you will need for the use and care of your new Dosmatic injector. If you have any further questions about your injector, the warranty, routine maintenance or proper usage, please contact your nearest distributor or Dosmatic customer service.

These models are designed to inject diesel additives that are recommended and approved for injection into diesel systems.

It is the responsibility of the operator to determine the correct dosage settings of the unit using the chemical manufacturers' recommendation for dispensing their product, and to assure that proper dosage is being maintained.

### Maintenance and Warranty

Dosmatic offers a three year limited warranty from the original date of purchase for manufacturing or materials defects only. With proper use and care, your injector should provide you long-term performance. Please review the complete warranty information on page 23.

#### For Your Records

The serial number of your Dosmatic injector is located on the injector body. Please record this number in the space below and reference it when calling your distributor or Dosmatic for information, parts and service.

Serial #.....

Date Purchased .....

**Important:**  
**for product registration**  
**visit our website**  
**www.dosmatic.com**  
**to fill out product**  
**registration form!**

This document does not form a contractual engagement on the part of Dosmatic and is for information only. Dosmatic reserves the right to alter product specifications or appearance without prior notice.

# Package Contents

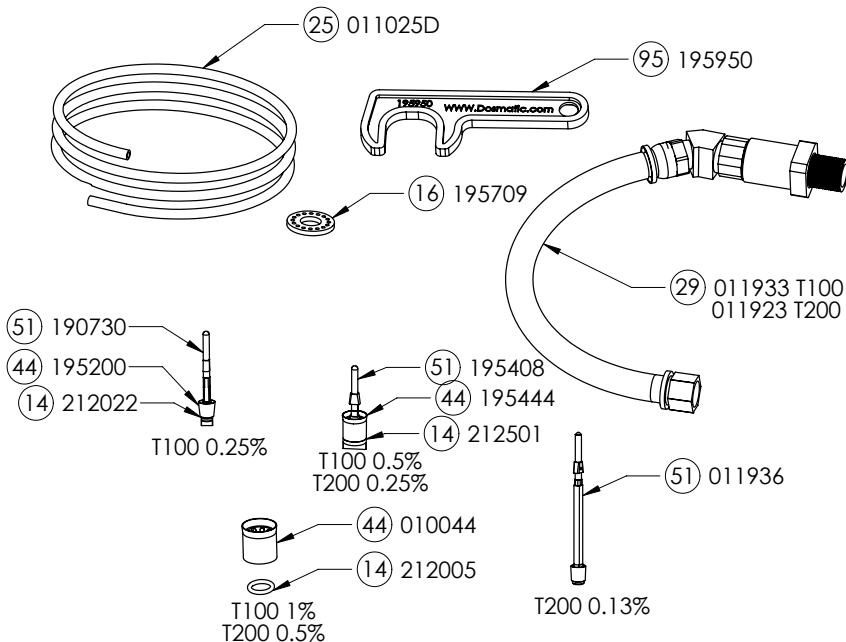
The injector(s) is packaged with the following items:

**Dosmatic USA**  
**Certified ISO 9001:2008 QMS**

English

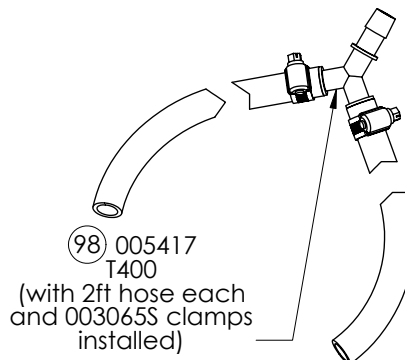
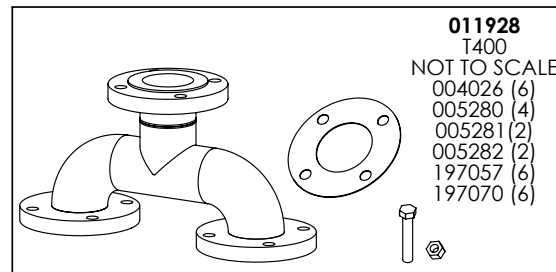
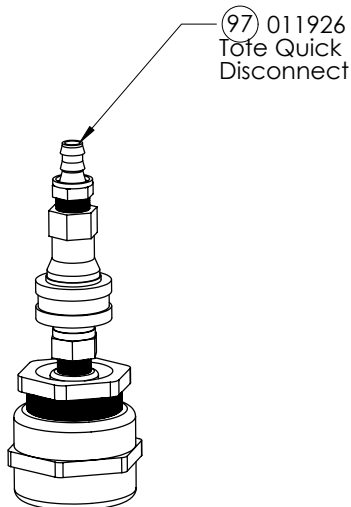
## TurboDos 100 & 200 Contents:

- Dosmatic Injector (not shown)
- Dosage Piston
- Viton O-ring
- Manual (not shown)
- Hose Clamps
- Lower-End Seal
- Lower End Wrench
- Suction Hose
- Side Injection
- Hose Assembly



## Additional Contents for the TurboDos 400:

- Manifold Assemblies
- TurboDos 200 Injectors
- Bolt/Nut Set
- Flange Gaskets
- “Y” Assembly - Includes Suction Tube Fitting Assemblies, 1/2” “Y” Barb and 2- 2ft of Yellow Suction Hose
- Yellow suction Hose (25 ft.)



# Specifications



## **TurboDos 100 gpm (120 max. psi)**

**Model 1%** 0.50% - 1% (1:200 - 1:100)  
**Model 0.5%** 0.10% - 0.50% (1:1000 - 1:200)  
**Model 0.25%** 0.025% - 0.25% (1:4000 - 1:400)  
**Intermittent Flow Rate:** 20 - 100 gpm (75 - 379 l/mn)  
**Continuous Flow Rate:** 20-80 gpm (75- 303 l/mn)  
**Operating Pressure:** 20 - 120 psi (1,38 - 8,3 bar)  
**Pipe Coupling:** 2" flange/50 mm  
**Dual Injection:** mix or match (2) lower ends based on your injection needs

## **TurboDos 100**

	<b>Single</b>	<b>Dual</b>
<b>0.5%</b>	<b>114151PN</b>	<b>0.5% 114152PN</b>
<b>1.0%</b>	<b>114153PN</b>	<b>1.0% 114154PN</b>
<b>0.25%</b>	<b>114155PN</b>	<b>0.25% 114156PN</b>
		<b>1% &amp; 0.5% 114157PN</b>
		<b>1% &amp; 0.25% 114158PN</b>
		<b>0.5% &amp; 0.25% 114159PN</b>



## **TurboDos 200 gpm (120 max. psi)**

**Model 0.25%** 0.05% - 0.25% (1:2000 - 1:400)  
**Model 0.5%** 0.25% - 0.5% (1:400 - 1:200)  
**Model 0.13%** 0.050% - 0.13% (1:2000 - 1:800)  
**Intermittent Flow Rate:** 40 - 200 gpm (151 - 757 l/mn)  
**Continuous Flow Rate:** 40 -160 gpm (151 - 606 l/mn)  
**Operating Pressure:** 30 - 120 psi (2,1 - 8,3 bar)  
**Pipe Coupling:** 3" flange/76 mm  
**Dual Injection:** mix or match (2) lower ends based on your injection needs

## **TurboDos 200**

	<b>Single</b>	<b>Dual</b>
<b>0.25%</b>	<b>114551</b>	<b>0.25% 114552</b>
<b>0.5%</b>	<b>114554</b>	<b>0.5% 114555</b>
<b>0.13%</b>	<b>114556</b>	<b>0.13% 114557</b>
		<b>0.25% &amp; 0.5% 114558</b>
		<b>0.13% &amp; 0.5% 114559</b>
		<b>0.25% &amp; 0.13% 114560</b>



## **TurboDos 400 gpm (120 max. psi)**

**Model 0.25%** 0.05% - 0.25% (1:2000 - 1:400)  
**Model 0.5%** 0.25% - 0.5% (1:400 - 1:200)  
**Model 0.13%** 0.050% - 0.13% (1:2000 - 1:800)  
**Intermittent Flow Rate:** 40 - 400 gpm (151 - 1514 l/mn)  
**Continuous Flow Rate:** 40 -320 gpm (151- 1211 l/mn)  
**Operating Pressure:** 30 - 120 psi (2,1 - 8,3 bar)  
**Pipe Coupling:** 3" flange/76 mm  
**Dual Injection:** mix or match (2) lower ends based on your injection needs.

## **TurboDos 400**

	<b>Single</b>	<b>Dual</b>
<b>0.13%</b>	<b>114701</b>	<b>0.13% 114705</b>
<b>0.25%</b>	<b>114703</b>	<b>0.25% 114706</b>
<b>0.5%</b>	<b>114704</b>	<b>0.5% 114707</b>
		<b>0.25% &amp; 0.5% 114708</b>
		<b>0.13% &amp; 0.5% 114709</b>
		<b>0.25% &amp; 0.13% 114710</b>

Housing	Proprietary Engineered Composite Material
Dosing Accuracy	+/- 10% of ratio
Repeatability	+/- 3% of ratio
Pressure Loss	Available upon request
Maximum Temp.	100°F/38°C
Minimum Temp.	34°F / 1°C
Maximum vertical suction of concentrate	13 Feet / 3.6 Meter
Maximum horizontal suction of concentrate	49 Feet / 15 Meter
Self-Priming	Yes
Seal Material Available: *Contact your Dosmatic representative for specific chemical information	Aflas Viton EPDM Teflon Coated Kalrez®
Maximum Viscosity	1,500 cP (Ex. Honey)
Recommended Accessories	140+ mesh filter, check valve, pressure regulator, flow restrictor.

# Safety Precautions Warranty Compliance



**Warning,** Please read precautions thoroughly before operation. Must meet all applicable local codes and regulations.

## Remove All Caps Prior to Installation

Your injector is 100% factory tested before delivery and may contain a small amount of water. The plastic caps are fitted after testing to ensure cleanliness of the injector.

## Before Applying Aggressive Chemicals

Please consult your distributor, chemical manufacturer or contact Dosmatic's customer service to confirm compatibility with your injector.

## Monitor Outlet Flow

It is the user's responsibility to monitor the output of chemical injected. For critical applications, an exact measurement should be performed. We recommend the 0.25% & 0.13% unit be exactly measured to ensure exact dosage. Set the ratio adjuster to the maximum ratio and allow 2 minutes for purging of air in the suction line. Once primed, set ratio adjuster to desired setting. The unit will repeat this dosage to the specifications provided.

## A Filter is Recommended and Required

Install a filter of 140 mesh (104 micron) or finer depending on your diesel quality to prolong the working life of the injector and for the warranty to be valid. A filter is imperative since most diesel contains impurities or particles, especially if the diesel source comes from a well, pond or lake.

## Avoid a Potentially Hazardous Chemical Accident

Select a safe location. Chemical container should be kept away from children and/or high usage areas and the location must also not be susceptible to freezing temperatures.

## Avoid Solution Contamination

Use only clean FILTERED diesel. Do not allow contaminants to enter the solution container. They can be pumped into the diesel line and may cause the spread of disease. Dirt, debris and other contaminants in the solution container may cause excessive wear to the unit.

## Diesel Temperature

Min: 34 °F (1 °C) Max: 100 °F (38 °C)

## Maximum Diesel Pressure

120 psi (8,3 bar)

Initially prime the lines at 30-40 psi (2.07-2.76 bar) and at 30-40 gpm (113,6-151,4 l/mn). NOTE: The 0.25% & 0.13% require special priming techniques. Set the lower end adjuster to the lowest ratio and allow a minimum of 2 minutes for purging of air in line. Once primed, set ratio to desired setting. Install a pressure regulator and/or pressure relief valve to ensure operating pressure does not exceed the maximum specification.

## Before Removing An Injector From The System

**Release diesel pressure.** While the system is in operation, turn off the incoming diesel valve. Leave the out going valve open this will relieve the pressure at the injector and all parts of the system after the injector. Injector is now safe to remove.

## General Tips

**Please read this instruction manual thoroughly. Following the procedures, will increase the life of your injector.**

## For A Long Service Life

Start with clean diesel by using an inline filter to reduce impurities. Keep the solution container covered and clean. Keep the suction tube filter 2" (5 cm) from the bottom of the container. Perform maintenance procedures as recommended (see Maintenance page 12).

## Flange Alignment

Ensure piping runs joined to the flanges are installed in a straight line position to the flange to avoid stress at the flange due to misalignments. Piping must also be secured and supported to prevent lateral movement which can create stress and damage to the flange. **NOTE: Flange, bolts and nuts are not included with your TurboDos 100 or 200 unit.** The recommended bolt torque for a 2 - 4" (51-102 mm) flange is 25ft - lbs (111 Newtons). See (Fig. 2 page 8) for flange bolt install details.

## Keep From Extreme Temperature

Protect the injector from freezing temperatures or excessive heat.

## Rinse Injector After Each Use

Additive allowed to remain in injector can dry out, foul or damage the lower end at the next start-up (see Maintenance page 12).

## Injector Not in Use for an Extended Period

If the injector has not been stored properly deposits may have dried onto the impellers (see Maintenance page 12). Before operation, soak entire unit into room temperature water approx. 72 °F (22 °C) for an eight hour period.

# Operations

## Rumbling Sound is Normal

Diesel flowing through the injector will automatically cause the injector to have a rumbling sound and inject a set amount of solution into the diesel line. The higher the flow rate the louder the rumbling. The injector is designed to inject solution proportionally (at the same set ratio) regardless of diesel flow.

## Service Diesel Flow

Diesel flow and pressure must be within the established specifications (see Specification on page 6) for your model.

## Change Feed (Injection) Rate

The feed rate on the injector is adjustable **EVEN WHILE OPERATING AND UNDER PRESSURE**. To change feed rate see (Fig. 1).

Rotate Ratio Adjuster (#61) (Fig 1) up or down using the Setting Indicator Mark (Fig 1a) to select the desired feed rate.

NOTE: Do not screw Ratio Adjuster Sleeve below lowest setting line. Measure outlet diesel to assure desired feed rate is being delivered.

Fig. 1

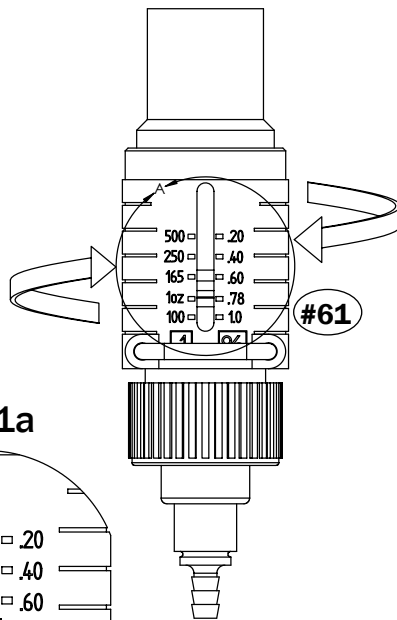
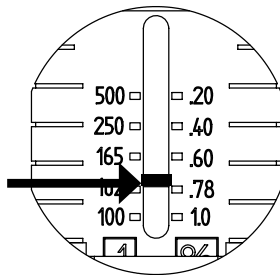


Fig. 1a



Example only

## Bypass Operation

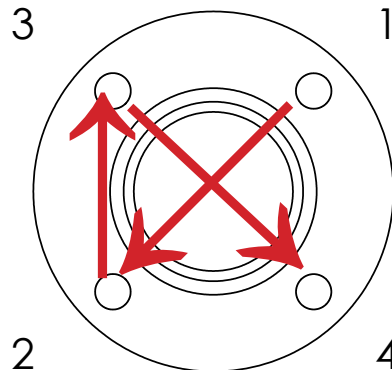
Install using three valve bypass as shown in installation diagram (Fig. 5 on page 10).

With valve (A) closed and valves (B & C) open the injector will operate as normal and diesel will be flowing. It is recommended to use the three-valve bypass (see Fig. 5), for continued bypassing or servicing of the injector.

## Connecting Flanges

1. Inlet pipe with flange and outlet pipe with flange runs to and from TurboDos 400 manifold flanges must be installed in a straight line position, parallel and level to avoid stress at the flange due to misalignments. Piping and TurboDos 400 must be secured and supported to prevent lateral movement which will create stress and damage to injector housing.
2. Attach the bottom manifold flange to the flange on the inlet pipe. Attach the manifold flanges to the bottom flanges on each injector by proper placement of gasket, aligning the bolt holes of the mating flanges by rotating the ring into position.
3. Insert all bolts, washer (two standard flat washers per bolt), and nuts.
4. Make sure the faces of the mating surfaces are flush against the gasket prior to bolting down the flanges.
5. Tighten the nuts by hand until they are snug. Establish uniform pressure over the flange face by tightening the bolts in 5ft-lbs (22 newtons) increments according to the sequence shown below following the 180° opposing sequence. See Fig 2 (1-2-3-4)
6. Care must be taken to avoid "bending" the flange when joining a flange to a "raised face" flange, or a water style valve. Do not use bolt to bring together improperly mated flanges.
7. Bolt Torque - recommended maximum bolt torque for a 2" - 4" (51 - 102 mm) flange is 25ft-lbs (111 newtons).

Fig. 2

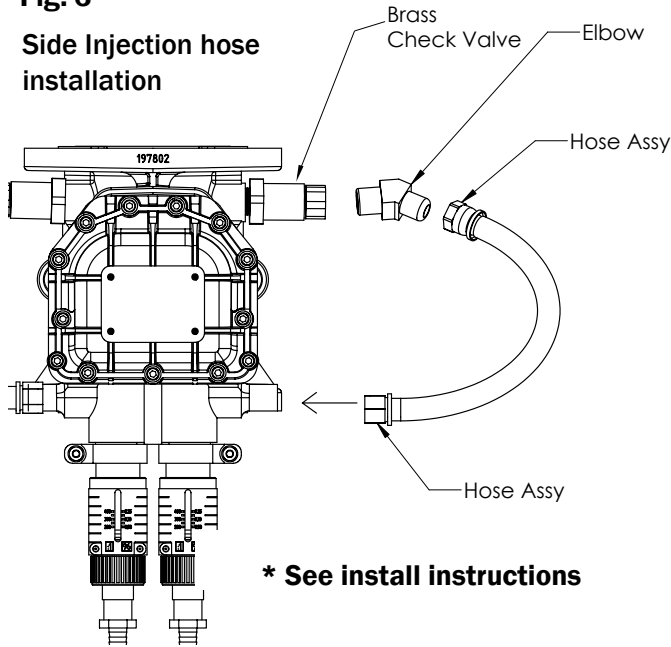




# Installation and Start-up

Fig. 3

## Side Injection hose installation



## Side Injection Hose Installation Instructions

1. Detach elbow from hose assembly, attach elbow to brass check valve. When attaching elbow, use wrench on brass check valve to hold it in place to maintain factory installation. **DO NOT TIGHTEN**
2. Unscrew schedule 40 cap & remove from lower side injection outlet and attach hose assembly.
3. Screw hose assembly back onto elbow at upper side injection inlet.

If unit is dual, repeat for other side.

If unit is a TurboDos 400 follow the above for both injectors.

English

# Installation Dimensions

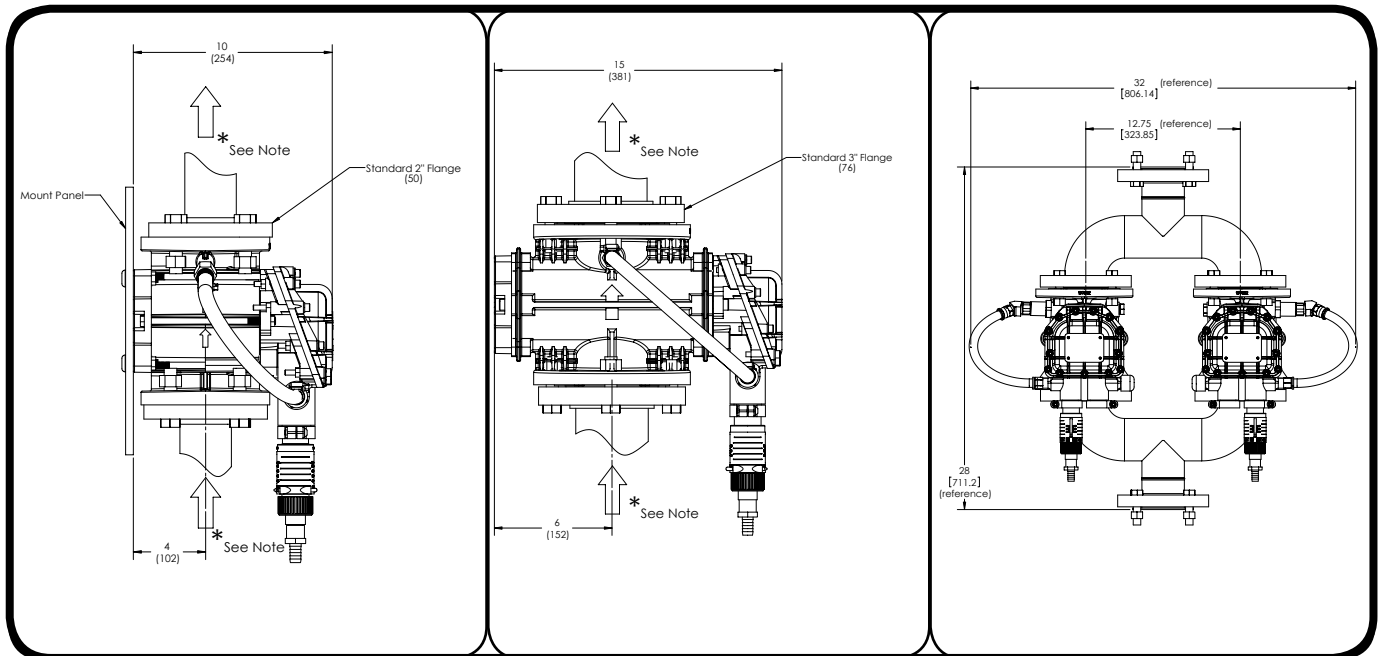
Fig. 4

\*Inverted models available to reverse flow direction

## TurboDos 100

## TurboDos 200

## TurboDos 400



# Installation and Start-up

Refer to Fig. 4 and Fig. 5

## Fluid Filter (Required)

Install a filter of 140 mesh (104 micron) or finer depending on your diesel quality to prolong the working life of the injector and for the warranty to be valid. Dosmatic recommends a Twist II Clean® 2" filter for the TurboDos 100 models which can be ordered with your injector.

## Mounting Injector

Securely fasten your injector to a solid structure or the injector can be free standing if the inlet/outlet pipes are supported. Install directly into a 2" (50mm) or 3" (76mm) pipeline (depending on model), be sure to partially tighten each flange bolt/nut in an alternating pattern before tightening completely. This will prevent damage to the injector flange.

## Backflow Preventor (Recommended)

Install one that meets local code requirements.

## Pressure Safety Release Device (Recommended)

Prevents pressure from exceeding specifications of the unit.

## Bypass Valve Set-up (Recommended)

Allows the injector to be taken off-line for maintenance or storage when not in use.

## Diesel-Hammer Arrester (Recommended)

Prevents diesel-hammer damage to the injector when operating quick closing solenoid, pneumatic or hand-operated ball valves on the diesel system.

## Anti-Siphon Valve (Optional)

To prevent solution from being siphoned out (from the solution container) into the feed lines when the upstream valve is shut off. The anti-siphon valve must be installed on the downstream outlet.

## Additional Siphoning Prevention

Place solution container on a level below the injector suction tube fitting. Using the inlet side as a shut-off valve could cause full strength solution to siphon into the feed line.

## Solution Container

Use any size container. A lid or cover is recommended. To connect your solution container, gently push the end of the suction tube onto the bottom of the suction tube fitting assembly. Place the filter into the solution container at least 2" (5cm) from the bottom and fill with at least 2" (5cm) of chemical solution. NOTE: The solution container must not exceed the height of the injector's lower end at the suction hose connection.

## Never Use Petroleum Based Lubricants

The injector is shipped with a thin coat of silicone around the seals for ease-of-assembly. Petroleum based lubricants such as Vaseline®, baby oil, WD40®, or motor oil on the O-rings or any part of the injector should never be used as this can cause particles to adhere and clog or damage the injector.



## Check System for Leaks and Start-Up Procedures

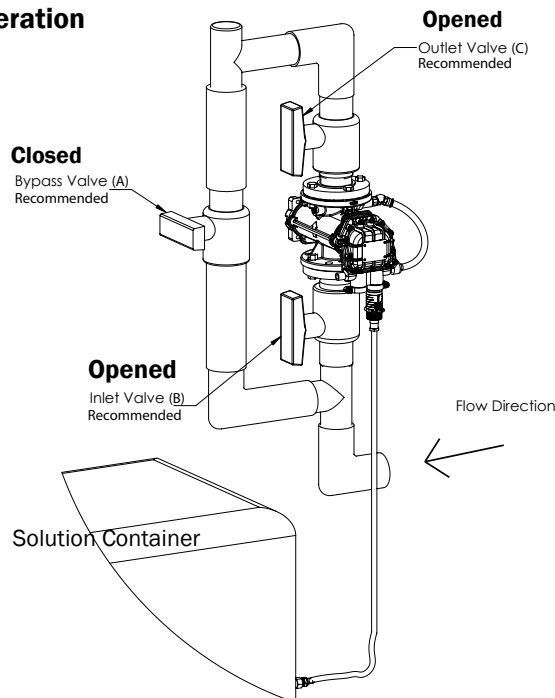
Open the bypass valve (A), close inlet valve (B) and outlet valve (C) to prevent diesel flow into the injector. **SLOWLY** turn on the main diesel line. Run diesel flows between 20-40 gpm (TurboDos 100) and 40-60 gpm (TurboDos 200 & 400) through the plumbing system. Turn on all of the valves located downstream from your injector to release trapped air. **SLOWLY** turn on the inlet valve (B). Open the outlet valve (C) and close valve (A). As diesel travels through the injector, you will hear a "rumbling" sound. Check for leaks and correct if necessary.

# Suggested Installation Diagram

Fig. 5

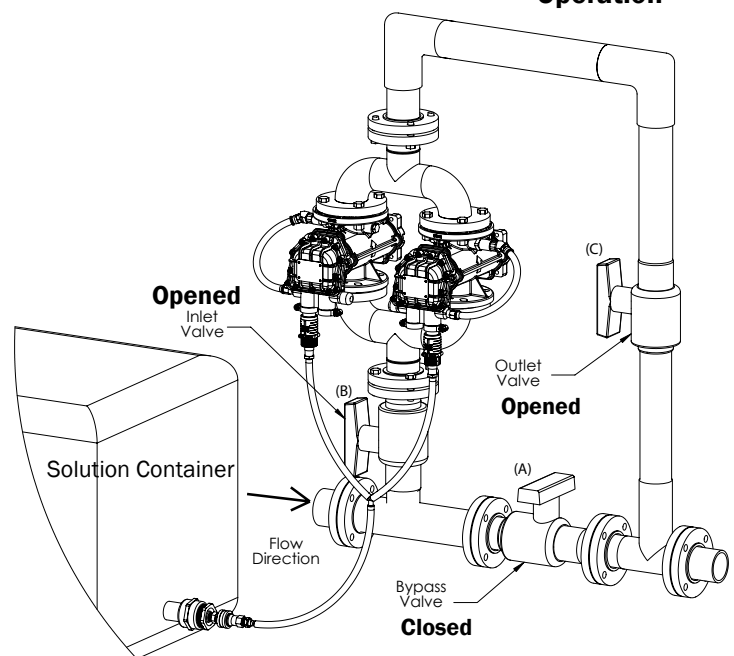
TurboDos 100 & 200

Shown in  
Operation



TurboDos 400

Shown in  
Operation



# TurboDos 400 Installation Instructions

To properly install your Dosmatic system, we strongly recommend that you perform the following installation steps. This information may vary depending on your specific conditions. See Fig. 5 Pg. 10 for full installation diagram.



1. Starting from fuel cam lock, choose area large enough to install the TD400 with a 3 valve bypass.



2. Depending on space available cut out pipe large enough to weld T's on each side of the cut pipe and the flanges to On/Off valve in center of cut.



3. Always mount your TurboDos 400 above the level of your chemical/additive reservoirs. An extension pipe can be added to the mounting flange as shown here to ensure proper placement.



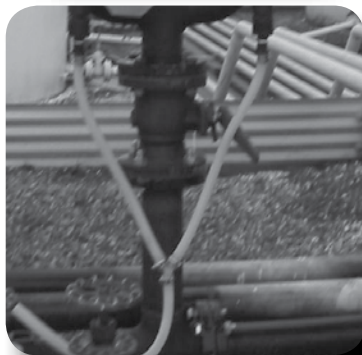
4. Mount each injector on bottom manifold using bolts and gaskets provided to manifold (see bolt sequence and torque specifications).



5. Secure top half of manifold using bolts and gaskets provided (see bolt sequence and torque specifications on next page).



6. Continue with connection of top manifold to complete the 3 valve bypass installation as recommended.



7. In the box with the two injectors you will find the "Y" assembly consisting of the suction tube fitting assemblies, 2 - 2ft yellow suction hoses, hose clamps and "Y" barb. Remove O-ring from twist ties and place inside suction tube fitting assemblies and screw onto the lower ends of each injector.

8. After the "y" assembly is attached to each injector, you are now ready to attach the long yellow suction hose to the "Y" barb and secure with hose clamp. You are now ready to begin your start up procedures located in the operating manual.

# Maintenance

Reference numbers refer to Page 15 - 22

## Clean Solution Container

Keep covered to prevent dirt and flying debris from entering the container. Rinse container thoroughly and often. Do not mix chemicals together that might react and cause a precipitate. Use **FILTERED** diesel when filling container.

## Clean Suction Tube Filter Screen

Inspect each time new solution is added. Clean filter screen (#27) and suction tube (#25) as necessary by rinsing in fresh water. Replace if necessary. Keep filter screen off bottom of solution container to prevent dirt and precipitate from clogging filter.

## Clean Inlet Filter

Clean or replace inlet filter as required to increase the life of the unit as well as reduce pressure loss.

## Bypass Injector

When not in use place the injector in bypass mode by using the three valve bypass.

## Storage

For extended storage, rinse injector (see "Rinse Injector After Each Use") and place underwater in a container. Apply monthly, <0.1 oz. (29 ml) of chlorine bleach to avoid algae growth. **KEEP FROM FREEZING.**

**Perform these maintenance procedures to extend the life of your unit.**

**Refer to page 16 - 18**

**TurboDos 100 (0.5%, 1% & 0.25%) Models**

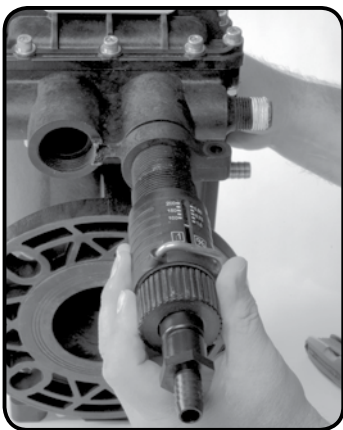
Every 3 - 6 Months	Every 6 - 12 months	Replace as necessary
<ol style="list-style-type: none"> <li>1. Clean seal areas (#14 or #51 - 0.25%).</li> <li>2. Check (#37) Cylinder, clean and/or replace as necessary.</li> </ol>	<ol style="list-style-type: none"> <li>1. Replace (#14) O-ring and (#44) Dosage Piston.</li> <li>2. Clean and/or replace (#13) Check Poppet, (#11) Suction Tube Fitting.</li> </ol>	<ol style="list-style-type: none"> <li>1. (#37) Cylinder</li> <li>2. (#14) O-ring</li> <li>3. (#44) Dosage Piston or #51 Lower Shaft Assy - 0.25%.</li> </ol>

**Refer to page 20 - 22**

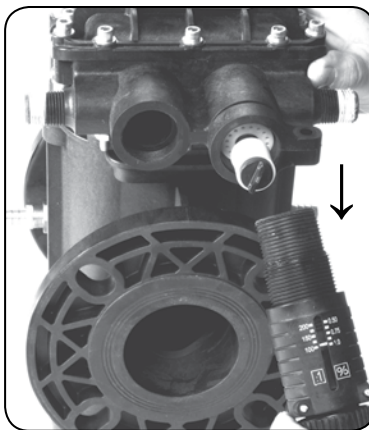
**TurboDos 200/400 (0.25%, 0.5% & 0.13%) Models**

Every 3 - 6 Months	Every 6 - 12 months	Replace as necessary
<ol style="list-style-type: none"> <li>1. Clean seal areas (#14 or #51 - 0.13%).</li> <li>2. Check (#37) cylinder, clean and/or replace as necessary.</li> </ol>	<ol style="list-style-type: none"> <li>1. Replace (#14) O-ring and (#44 or #51 - 0.13%) Dosage Piston. Clean and/or replace.</li> <li>2. (#13) Check Poppet, (#11) Suction Tube Fitting.</li> </ol>	<ol style="list-style-type: none"> <li>1. (#37) Cylinder</li> <li>2. (#14) O-ring</li> <li>3. (#44) or (#51) Shaft Assembly Dosage Piston</li> </ol>

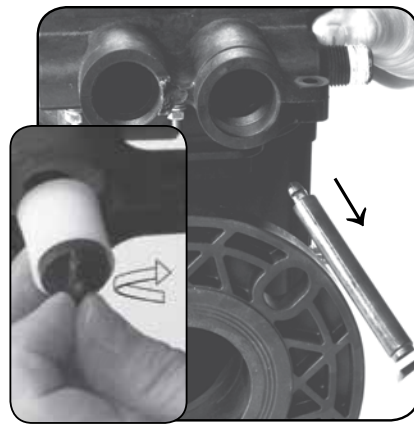
# Routine Maintenance Instructions



**Step 1.**  
Unscrew LOWER END CYLINDER ASSEMBLY from body.



**Step 2.**  
Remove LOWER END CYLINDER ASSEMBLY .



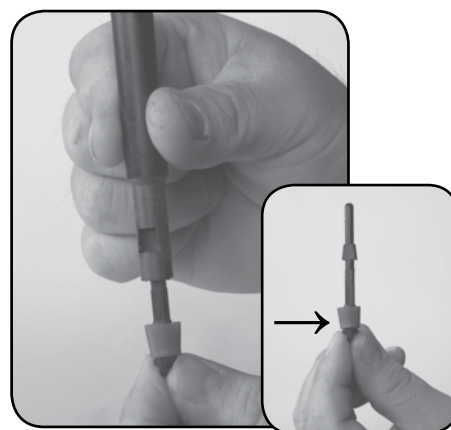
**Step 3.**  
Rotate #52 SHAFT 90° and pull from body.



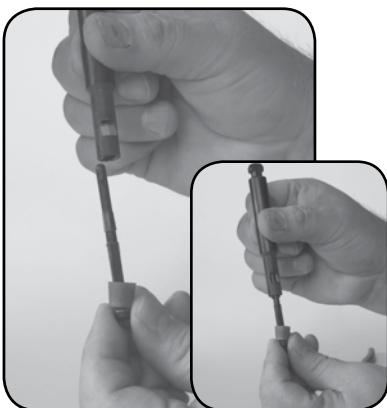
**Step 4 for (1% & 0.5%)**  
Squeeze tabs and remove dosage piston.



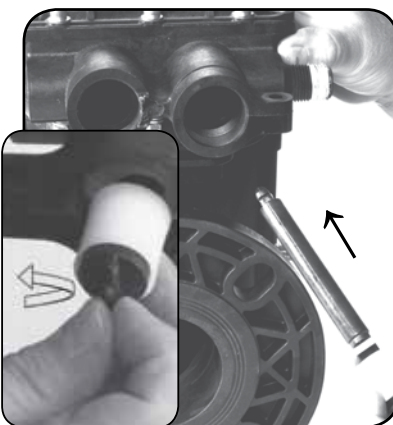
**Step 4a for**  
(TD100 - 1% & TD200 - 0.5%)  
Replace #44 DOSAGE PISTON flared-end up and #14 O-ring.



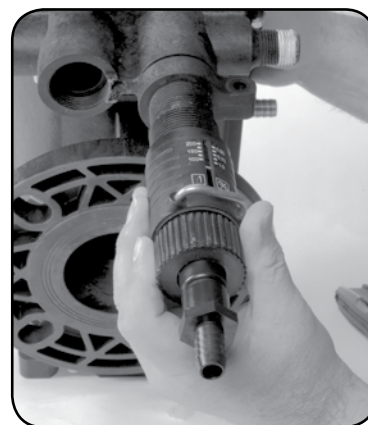
**Step 5 for**  
(TD100 - 0.25%, 0.5% & TD200 0.25%) Remove #51 LOWER SHAFT assembly and replace #44 DOSAGE PISTON and #14 O-ring.



**Step 5a for**  
(TD200 0.13%) Remove and replace #51 LOWER SHAFT ASSEMBLY.



**Step 6.**  
Reinsert #52 SHAFT ASSEMBLY into body and rotate 90° to lock. Insert #51 into UPPER SHAFT ASSEMBLY for TD100 0.5%, 0.25% and TD200 0.25% & 0.13% Confirm the shaft is locked in by gently tugging on the shaft. Shaft should remain inserted.



**Step 7.**  
Screw LOWER END CYLINDER ASSEMBLY onto body. Ensure #16 gasket is seated on the top of cylinder assembly.

# Troubleshooting

## New Install - Always Pressure Up Slowly (Follow start up on page 10)

Problem	Cause	Solution
<b>No Rumbling Sound</b>	Fluid flowing through system	Fluid rate is below or exceeds rated service flow of injector. (See Specifications page 6). If below increase flow rate, if above, reduce flow rate. If operating pressure does not meet specifications, adjust pressure accordingly. (see Specifications page 6). Three valve by-pass valve (A) not closed. Check and set valve to the Closed position.

## Injector in Operation or After Scheduled Maintenance

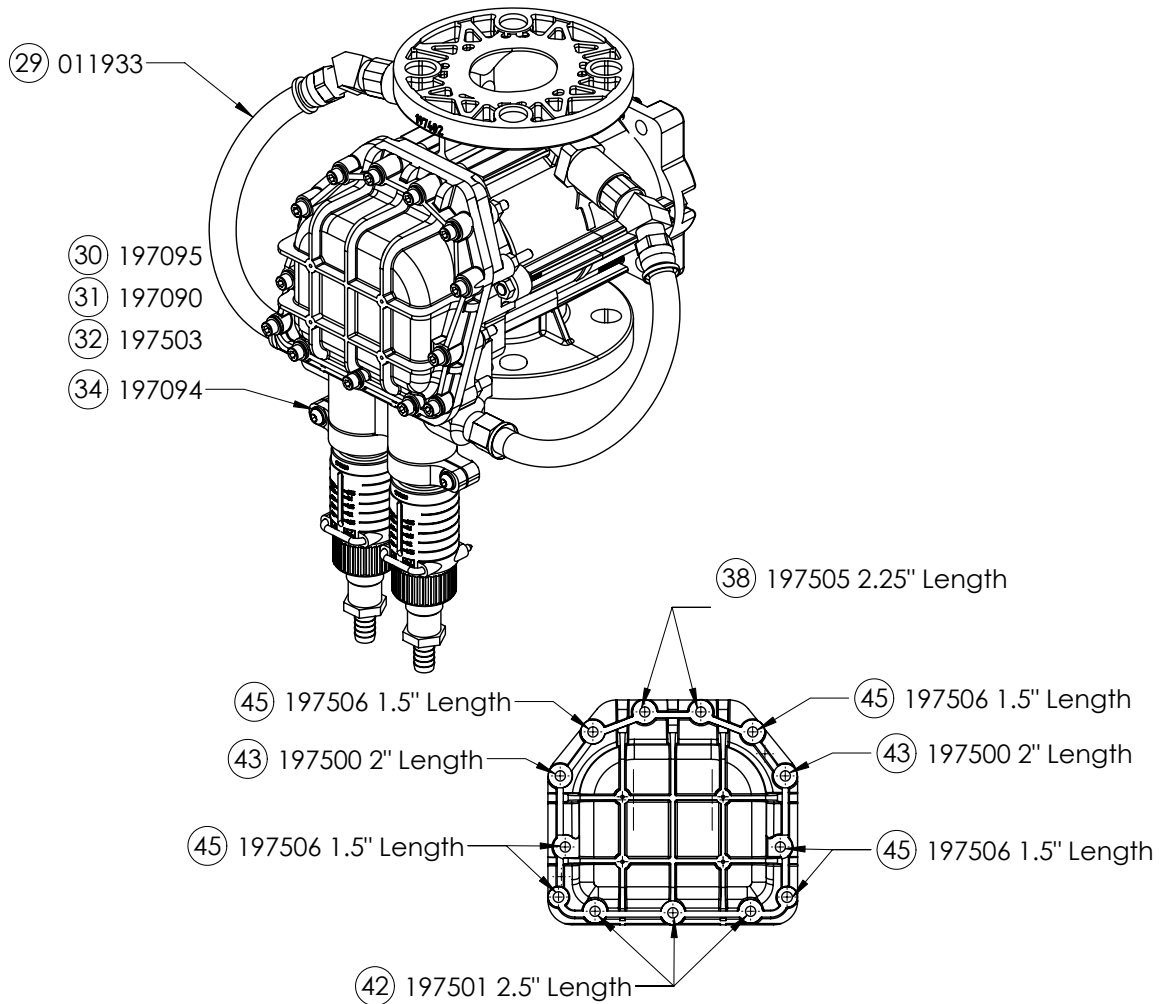
Problem	Cause	Solution
<b>No Suction Of Solution</b>	Suction tube (#25) or suction tube fitting (#11) cracked, leaking or clogged suction tube filter	Replace and/or clean as necessary
	Dosage piston (#44) worn or installed incorrectly	Replace. Ensure during maintenance replacement that #44 dosage piston was installed correctly flared-end up.
	O-ring (#14) damaged	Replace.
	Check valve (#13) leaking	Clean & replace as necessary.
	Shaft disconnected	Remove lower end & check shafts and make sure they are connected.

Problem	Cause	Solution
<b>Under Injecting</b>	(#44) Dosage Piston worn	Replace.
	(#37) Inner Cylinder worn	Replace.
	Unit operates at high-flow and not at low flow	Make sure you have minimum flow requirements. Replace wipers (factory replacement, call Dosmatic Customer Service)

Problem	Cause	Solution
<b>Fluid Re-filling Solution Tank</b>	Check poppet (#13) leaking	Check seat area on suction tube fitting #11. Check valve and seal must fit loose in the suction tube fitting. Clean seal and inside fitting for debris.
	Washer seal on (#13) is swollen or chemical attack	Replace with new check poppet assembly.

# Injector Repair Parts TurboDos 100

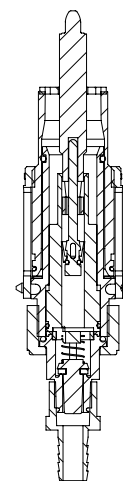
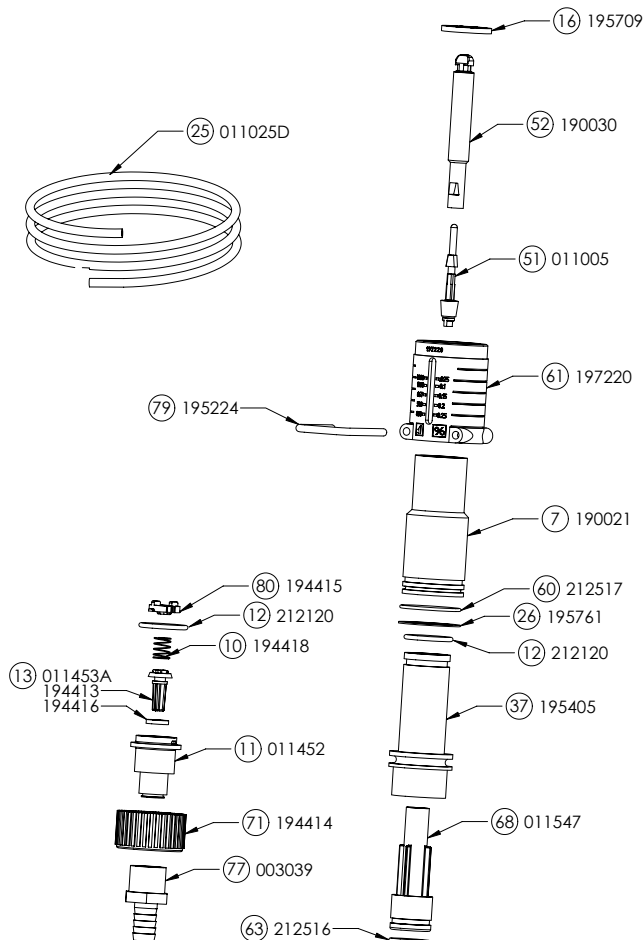
Reference #	Part #	Description
29	011933	Side Injection Hose 1/2" ID
30	197095	Nut, Hex 1/4 x 2 SST
31	197090	1/4" Flat Washer SS
32	197503	1/4" Lock Washer SS
34	197094	1/4-20 SHC Screw 1" L SS
38	197505	1/4-20 SHC Screw 2.25" L SS
42	197501	1/4-20 SHC Screw 2.5" LSS
43	197500	1/4-20 SHC Screw 2" L SS
45	197506	1/4-20 SHC Screw 1.5" L SS



# Lower end injector & wear parts kits 0.25%:

Kit A Wear Parts Kit (dosage piston, lower shaft, O-ring)	011130	51
Kit B Wear Parts Kit (Kit A, inner cylinder, shaft, O-ring)	011131	16, 51, 52, 63, 68
Kit C Wear Parts Kit (Kit A, shaft, cylinders, O-ring, gasket)	011132	7, 12, 37, 44, 51, 52, 60
Kit D Suction Tube Fitting Assy (poppet, O-ring, spring, fitting, barb, twistlock)	011462L	10, 11, 12, 13, 77, 80
Kit F Lower End Kit, complete	011093D	7, 10, 11, 12, 13, 16, 25, 26, 37, 51, 52, 60, 61, 63, 68, 71, 77, 79, 80

Manual Reference	Part #	Description of Part
7	190021	Outer Cylinder
10	194418H	Spring
11	011452	Suction Tube Fitting
12	212120 *Must specify material	O-ring
13	011453A	Check Poppet
16	195709	Body to Lower End Gasket
25	011025D	Hose 1/2"Id X 10'L
26	195761	Anti-Lock Gasket Large
37	195405	Inner Cylinder
51	011005	Lower Shaft Assembly
52	190030	Upper Shaft
60	212517	O-ring
61	197220	Ratio Adjuster
63	212516 *Must specify material	O-ring
68	011547	Inner Cylinder
71	194414	Nut Suction Tube Fitting
77	003039	Hose Barb 1/2 X 3/8 Nptf
79	195224	Interlock Pin
80	194415	Twistlock



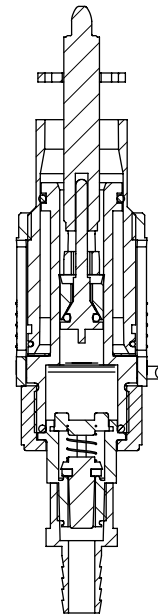
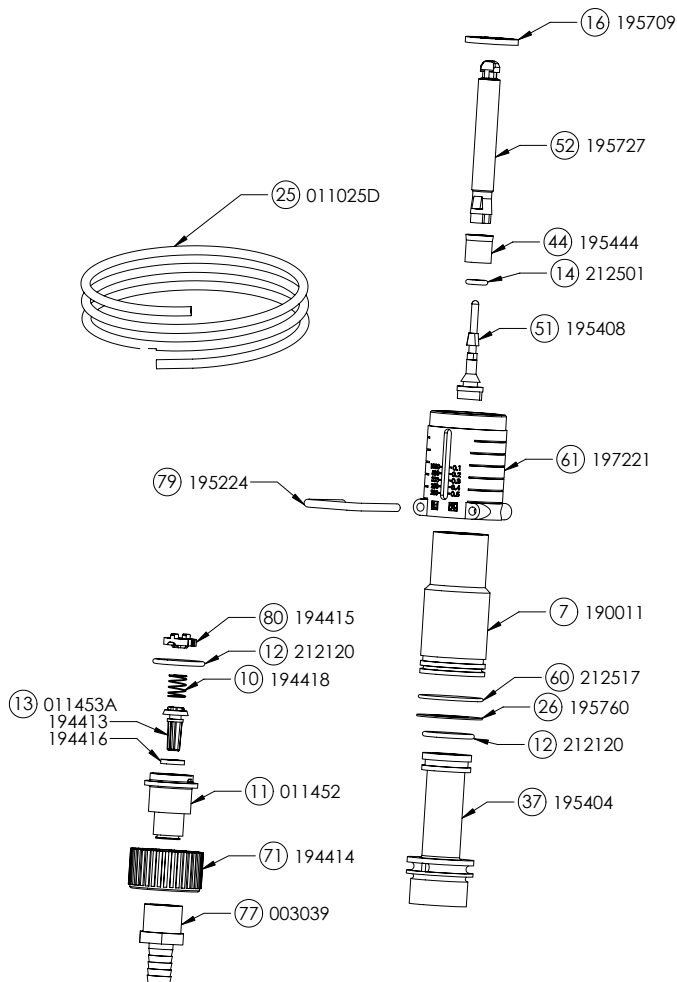
Lower End Assembly



# Lower end injector & wear parts kits 0.5%:

Kit A Wear Parts Kit (dosage piston, O-ring)	011910	14, 44
Kit B Wear Parts Kit (Kit A, inner cylinder, shafts, O-ring, gasket)	011095	12, 14, 26, 37, 44, 51, 52
Kit C Wear Parts Kit (Kit A, shafts, cylinders, O-rings, gasket)	011912B	7, 12, 14, 37, 44, 51, 52, 60
Kit D Suction Tube Fitting Assy (poppet, O-ring, spring, fitting, barb, twistlock)	011462L	10, 11, 12, 13, 77, 80
Kit F Lower End Kit, complete	011096D	7, 10, 11, 12, 13, 14, 16, 25, 26, 37, 44, 51, 52, 60, 61, 71, 77, 79, 80

Manual Reference	Part #	Description of Part
7	190011	Outer Cylinder
10	194418H	Spring
11	011452	Suction Tube Fitting
12	212120	O-ring
13	011453A	Check poppet
14	212501	O-ring
16	195709	Body To Lower End Gasket
25	011025D	Hose 1/2"Id X 10'L
26	195760	Anti-Lock Gasket Small
37	195404	Inner Cylinder
44	195444	Dosage Piston
51	195408	Lower Shaft
52	195727	Turbo 1% Shaft
60	212517	O-ring
61	197221	Ratio Adjuster
71	194414	Nut Suction Tube Fitting
77	003039	Hose Barb 1/2 X 3/8 Nptf
79	195224	Interlock Pin
80	194415	Twistlock

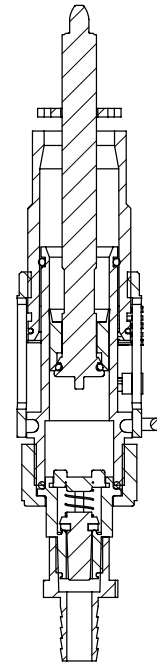
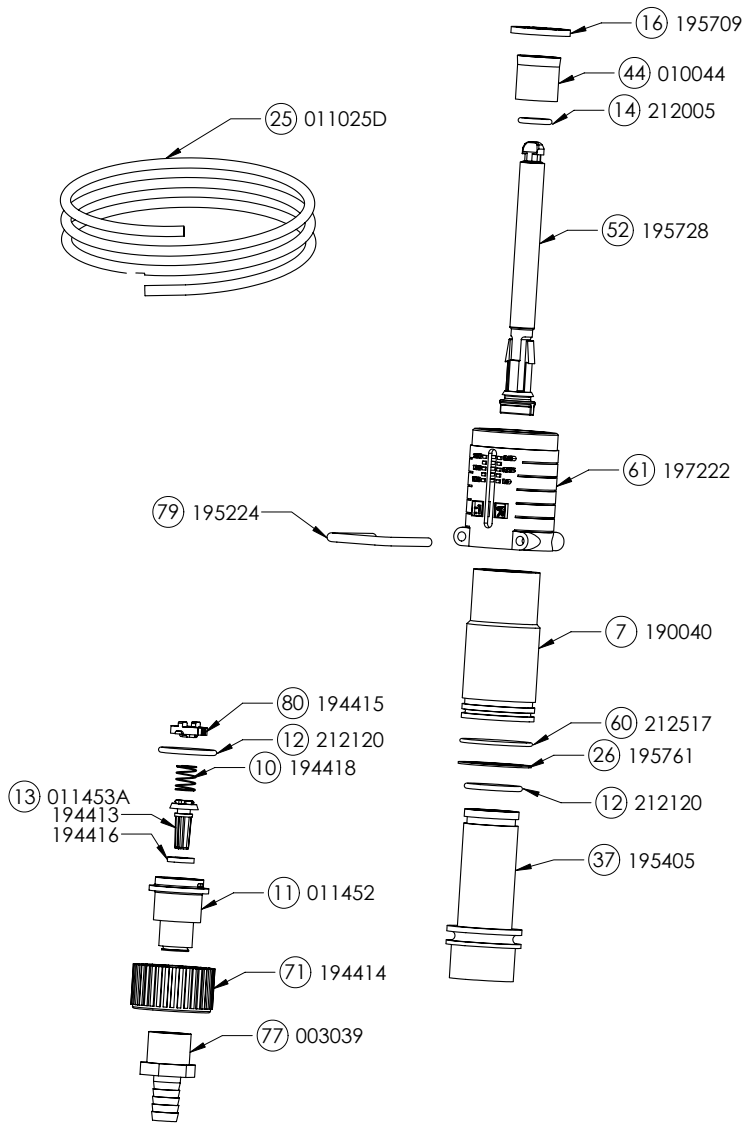


**Lower End Assembly**

# Lower end injector & wear parts kits 1%:

Kit A Wear Parts Kit (dosage piston, O-ring)	011850	14, 44
Kit B Wear Parts Kit (Kit A, inner cylinder, shaft, gasket, O-ring)	011097	12, 14, 26, 37, 44, 52
Kit C Wear Parts Kit (Kit A, shaft, cylinders, O-ring)	011133	7, 12, 14, 37, 44, 52, 60
Kit D Suction Tube Fitting Assy (poppet, O-ring, spring, fitting, twistlock, barb)	011462L	10, 11, 12, 13, 77, 80
Kit F Lower End Kit, complete	011101D	7, 10, 11, 12, 13, 14, 16, 25, 26, 37, 44, 52, 60, 61, 71, 77, 79, 80

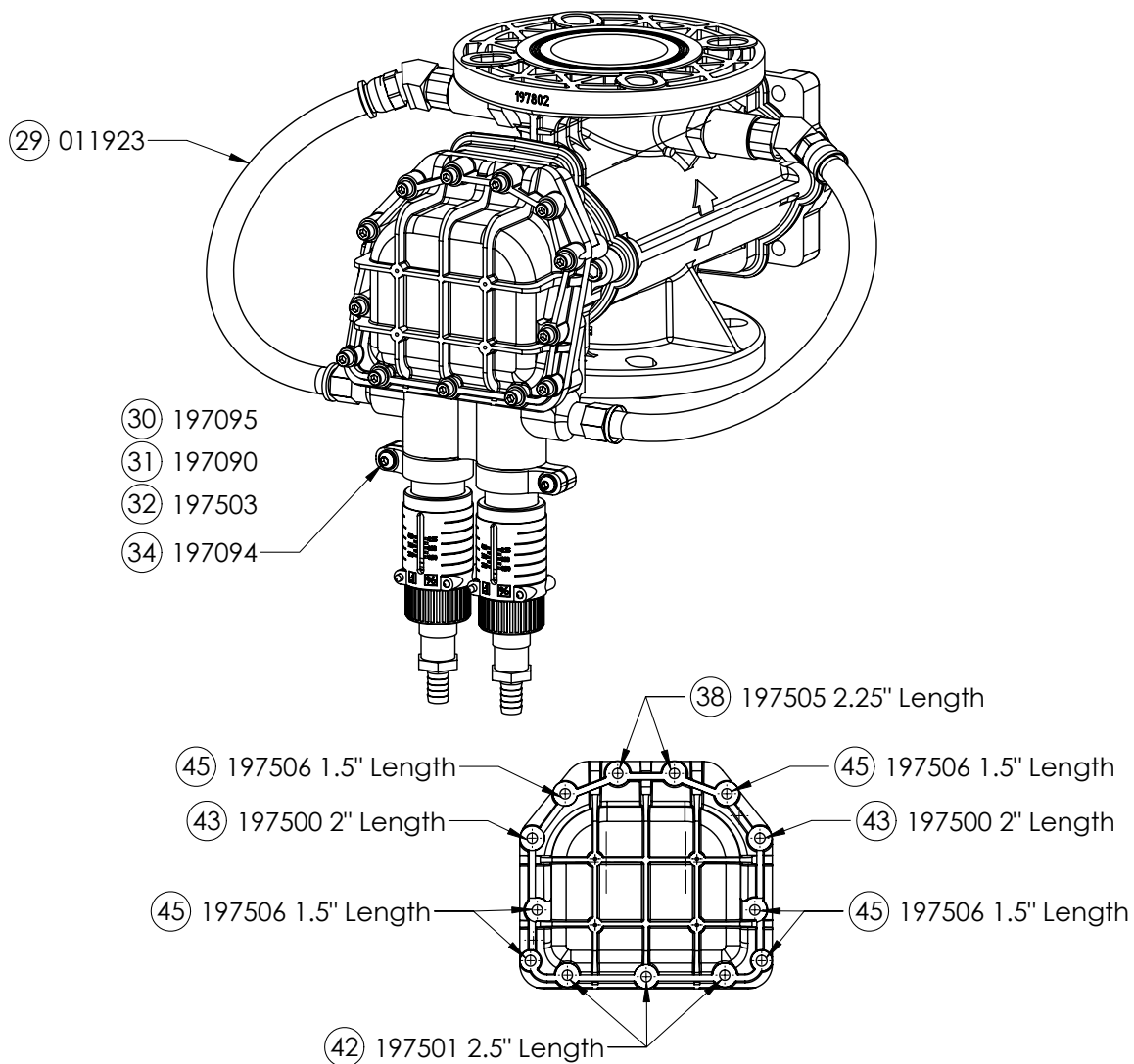
Manual Reference	Part #	Description of Part
7	190040	Outer Cylinder
10	194418H	Spring
11	011452	Suction Tube Fitting
12	212120 *Must specify material	O-ring
13	011453A	Check poppet
14	212005 *Must specify material	O-ring
16	195709	Body To Lower End Gasket
25	011025D	Hose 1/2"Id X10'L
26	195761	Anti-Lock Gasket Large
37	195405	Inner Cylinder
44	010044	Dosage Piston
52	195728	Shaft
60	212517	O-ring
61	197222	Ratio Adjuster
71	194414	Nut Suction Tube Fitting
77	003039	Hose Barb 1/2 X 3/8 Nptf
79	195224	Interlock Pin
80	194415	Twistlock



Lower End Assembly

# Injector Repair Parts TurboDos 200

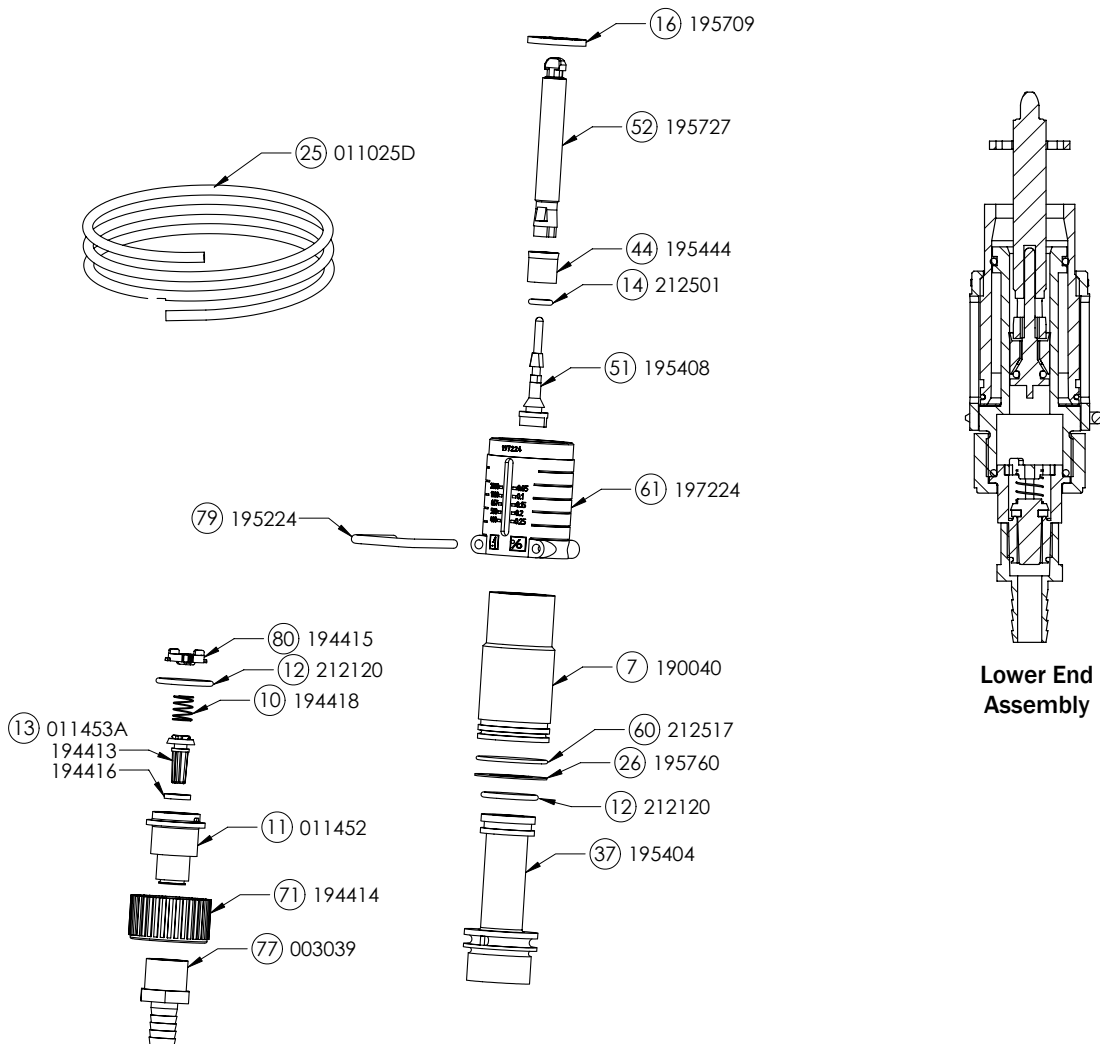
Reference #	Part #	Description
29	011923	Side Injection Hose 1/2" ID
30	197095	Nut, Hex 1/4 x 2 SST
31	197090	1/4" Flat Washer SS
32	197503	1/4" Lock Washer SS
34	197094	1/4-20 SHC Screw 1" L SS
38	197505	1/4-20 SHC Screw 2.25" L SS
42	197501	1/4-20 SHC Screw 2.5" LSS
43	197500	1/4-20 SHC Screw 2" L SS
45	197506	1/4-20 SHC Screw 1.5" L SS



# Lower end injector & wear parts kits 0.25%:

Kit A Wear Parts Kit (dosage piston, O-ring)	011910	14, 44
Kit B Wear Parts Kit (Kit A, inner cylinder, shafts, O-ring, gasket)	011095	12, 14, 26, 37, 44, 51, 52
Kit C Wear Parts Kit (Kit A, shafts, cylinders, O-rings)	011134	7, 12, 14, 37, 44, 51, 52, 60
Kit D Suction Tube Fitting Assy (poppet, O-ring, spring, fitting, barb, twistlock)	011462L	10, 11, 12, 13, 77, 80
Kit F Lower End Kit, complete	011103D	7, 10, 11, 12, 13, 14, 16, 25, 26, 37, 44, 51, 52, 60, 61, 71, 77, 79, 80

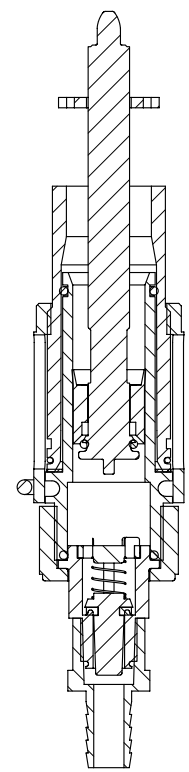
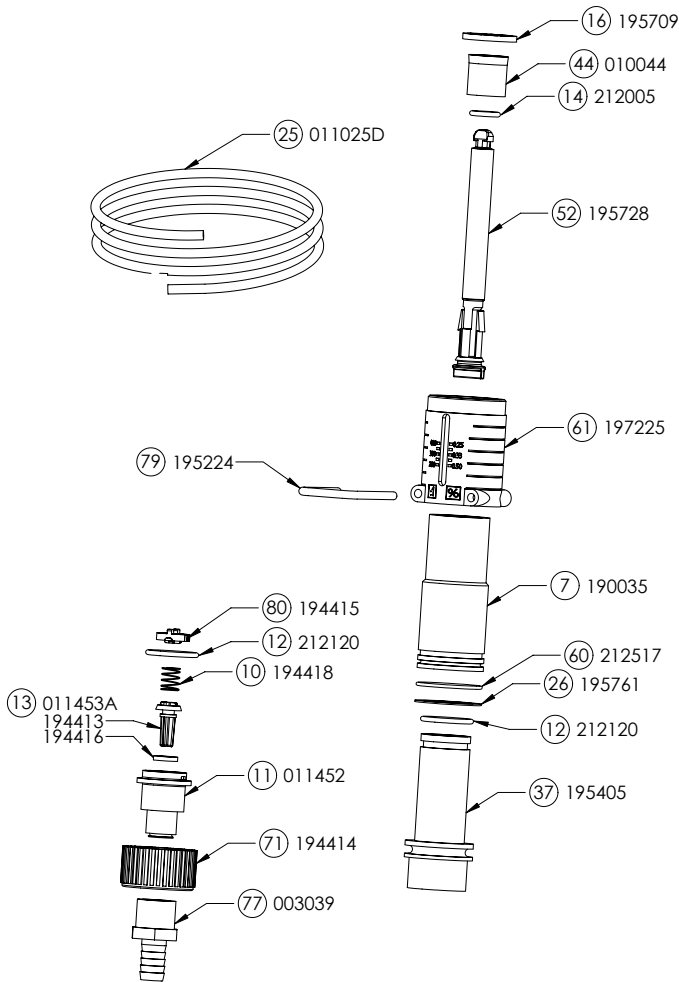
Manual Reference	Part #	Description of Part
7	190040	Outer Cylinder
10	194418H	Spring
11	011452	Suction Tube Fitting
12	212120	O-ring
		*Must specify material
13	011453A	Check poppet
14	212501	O-ring
		*Must specify material
16	195709	Body To Lower End Gasket
25	011025D	Hose 1/2"Id X 10'L
26	195760	Anti-Lock Gasket Small
37	195404	Inner Cylinder
44	195444	Dosage Piston
51	195408	Lower Shaft
52	195727	Upper Shaft
60	212517	O-ring
61	197224	Ratio Adjuster
71	194414	Nut Suction Tube Fitting
77	003039	Hose Barb 1/2 X 3/8 Nptf
79	195224	Interlock Pin
80	194415	Twistlock



# Lower end injector & wear parts kits 0.5%:

Kit A Wear Parts Kit (dosage piston, O-ring)	011850	14, 44
Kit B Wear Parts Kit (Kit A, inner cylinder, shaft, O-ring, gasket)	011097	12, 14, 26, 37, 44, 52
Kit C Wear Parts Kit (Kit A, shaft, cylinders, O-rings)	011914C	7, 12, 14, 37, 44, 52, 60
Kit D Suction Tube Fitting Assy (poppet, O-ring, spring, fitting, barb, twistlock)	011462L	10, 11, 12, 13, 77, 80
Kit F Lower End Kit, complete	011104D	7, 10, 11, 12, 13, 14, 16, 25, 26, 37, 44, 52, 60, 61, 71, 77, 79, 80

Manual Reference	Part #	Description of Part
7	190035	Outer Cylinder
10	194418H	Spring
11	011452	Suction Tube Fitting
12	212120 *Must specify material	O-ring
13	011453A	Check poppet
14	212005 *Must specify material	O-ring
16	195709	Body To Lower End Gasket
25	011025D	Hose 1/2"Id X 10'L
26	195761	Anti-Lock Gasket large
37	195405	Inner Cylinder
44	010044P	Dosage Piston
52	195728	Shaft
60	212517	O-ring
61	197225	Ratio Adjuster
71	194414	Nut Suction Tube Fitting
77	003039	Hose Barb 1/2 X 3/8 Npt
79	195224	Interlock Pin
80	194415	Twistlock

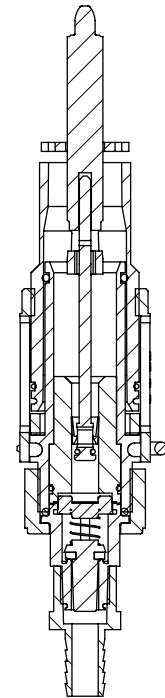
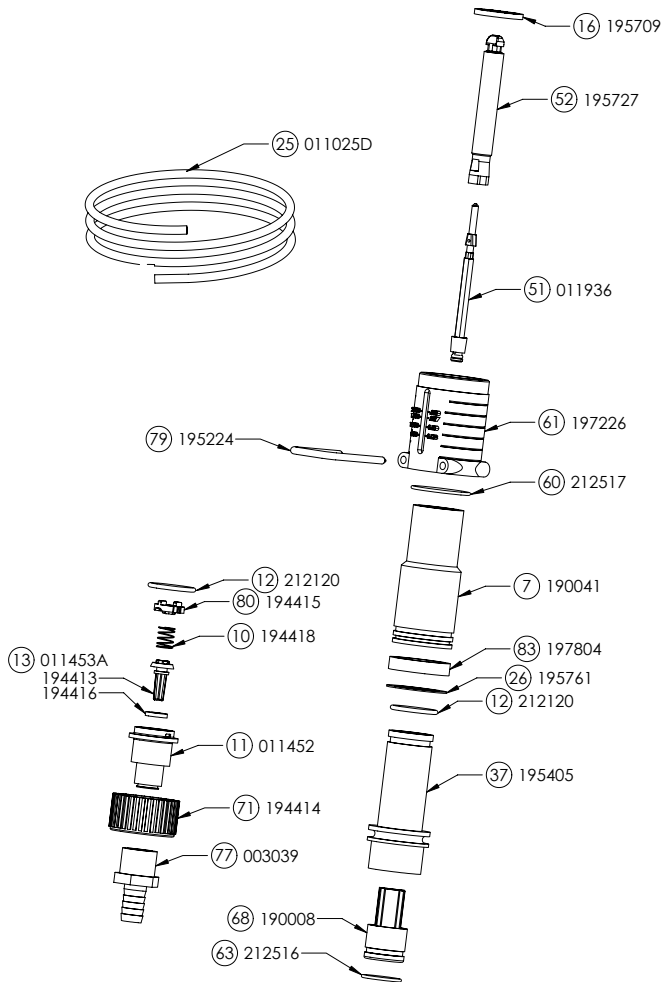


Lower End Assembly

# Lower end injector & wear parts kits 0.13%:

Kit A Wear Parts Kit (dosage piston, lower shaft, O-ring)	011909	51
Kit B Wear Parts Kit (Kit A, inner cylinder, shaft, O-ring, gasket)	011092	14, 16, 44, 51, 52, 63, 68
Kit C Wear Parts Kit (Kit A, shaft, cylinders, O-rings)	011916D	7, 12, 14, 37, 44, 51, 52, 60
Kit D Suction Tube Fitting Assy (poppet, O-ring, spring, fitting, barb, twistlock)	011462L	10, 11, 12, 13, 77, 80
Kit F Lower End Kit, complete	011102D	7, 10, 11, 12, 13, 14, 16, 25, 26, 37, 44, 51, 52, 60, 61, 63, 68, 71, 77, 79, 80, 83

Manual Reference	Part #	Description of Part
7	190041	Outer Cylinder
10	194418H	Spring
11	011452	Suction Tube Fitting
12	212120 *Must specify material	O-ring
13	011453A	Check Poppet
16	195709	Body To Lower End Gasket
25	011025D	Hose 1/2"Id X 10'L
26	195761	Anti-Lock Gasket Large
37	195405	Inner Cylinder
51	011936	Lower Shaft Assy.
52	195727	Upper Shaft
60	212517	O-ring
61	197226	Ratio Adjuster
63	212516 *Must specify material	O-ring
68	190008	Inner Cylinder
71	194414	Nut Suction Tube Fitting
77	003039	Hose Barb 1/2 X 3/8 Npt
79	195224	Interlock Pin
80	194415	Twistlock
83	197804	Lower End Stop



Lower End Assembly

# Warranty



## Congratulations on Your Purchase

We make the best and most reliable diesel-driven injectors available. Our warranty provides the best coverage in the industry. Dosmatic will provide for replacement of all parts proven to be defective in material or workmanship from the date of purchase for the following periods:

3 years	<b>Back Plate, Body, Intermediate, and Cover</b>
2 years	<b>Impellers &amp; Crank Arm Assembly</b>
1 year	<b>Lower End (excluding normal wear parts)</b>

Dosmatic products are warranted to be free from defects in materials and workmanship for the above time frames. Dosmatic will at its sole option repair or replace any component that fails in normal use. Any repairs made under warranty shall not extend the initial warranty period.

## To Maintain Your Warranty

Your only responsibility is ordinary maintenance - filtering incoming diesel, replacing the O-ring and dosage piston when worn. Seals and O-rings are not covered under the warranty.

This warranty is not valid if the defects are found to be due to the product's misuse, lack of maintenance, diesel impurities such as sand or iron, defective installation, freezing, diesel hammer, abuse, unwanted side effects due to the chemicals you choose to inject or service provided by anyone who is not an authorized service provider. Dosmatic declines any responsibility if the product is not used in compliance with the operating instructions and specifications as indicated in this owner's manual.

Warranty may be void if injector body is disassembled. If you suspect you are having a problem in the impellers or inside the body please contact Dosmatic or any authorized repair center to arrange to send the injector in to be evaluated and/or repaired.

IN NO EVENT SHALL DOSMATIC BE LIABLE FOR ANY INCIDENTAL, SPECIAL; INDIRECT, OR CONSEQUENTIAL DAMAGES, WHETHER RESULTING FROM THE USE, MISUSE OR INABILITY TO USE THIS PRODUCT OR FROM DEFECTS IN THE PRODUCT.

There is no warranty expressed or implied relating in any way to products used in conjunction with Dosmatic.

Dosmatic or authorized distributor shall not be liable for incidental or consequential damage, such as any economic loss. Dosmatic retains the exclusive right to repair or replace the product. Such remedy shall be your sole and exclusive remedy for any breach of warranty. There are no warranties, expressed or implied, which extend beyond those described above.

## To Return an injector for Warranty or Non-Warranty repair:

See page 2 for Dosmatic country contact information.

1. Thoroughly flush the injector with water of any chemical and drain. Ensure proper packing for shipment.
2. To EXPEDITE warranty evaluation and repair or non-warranty product repair, please include the following: a copy of the original invoice, serial number of the unit, chemical used, contact information and a Return Authorization (RA) number, contact your country's Dosmatic Customer Service to obtain.
3. Send freight prepaid and ship to Dosmatic or your local distributor. For the name of your local distributor or if returning to Dosmatic, contact your country's Dosmatic Customer Service.
4. For a WARRANTED injector: upon inspection and determination that the unit has defects in materials or workmanship, the unit will be repaired or replaced at Dosmatic's option, free of charge and shipped back freight prepaid.
5. For a NON-WARRANTED injector: upon inspection Dosmatic or a local distributor will call the customer with a repair estimate.

**This page intentionally left blank**



## SOMMAIRE

Principe de Fonctionnement .....	26
Précis et Fiable .....	26
Contenu Des Boîtes .....	27
Specifications .....	28
Mesures De Sécurité .....	29
Conformité de Garantie .....	29
Conseils Généraux .....	29
Fonctionnement .....	30
Installation Et Mise En Marche .....	31
Installation Dimensions .....	31
Installation Et Mise En Marche .....	32
Conseil schéma d'installation .....	32
TurboDos 400 Installation Instructions .....	33
Entretien .....	34
Instructions pour l'entretien courant .....	35
Diagnostic Des Anomalies .....	36
Garantie .....	37

### **Veillez lire ce manuel attentivement avant de mettre en marche la pompe.**

Ce livret vous donne les informations dont vous aurez besoin pour utiliser et prendre soin de la pompe Dosmatic. Si vous avez d'autres questions sur la garantie, l'entretien quotidien ou sur le simple usage de l'appareil, veuillez contacter votre distributeur le plus proche ou le service après vente de Dosmatic.

Ces modèles sont fabriqués pour injecter des additifs diesel qui sont appropriés et qui acceptent des injections pour des systèmes hydrauliques

Il est de la responsabilité de l'utilisateur de déterminer les paramètres de dosages corrects de l'appareil grâce aux recommandations du fabricant de produits chimiques qui les distribuent et de s'assurer qu'un dosage correct est respecté.

### **Entretien et garantie**

Dosmatic offre une garantie limitée de 3 ans à compter de la date d'achat de l'appareil et le couvre uniquement contre les défauts de fabrication ou les composants défectueux. Si vous l'entretenez et l'utilisez soigneusement, votre injecteur aura une durée de vie plus longue. Vous trouverez toutes les informations sur la garantie à la page 37.

#### **Pour votre information**

Les numéros de séries Dosmatic sont écrits seulement sur le corps de pompe. Veuillez écrire ce numéro dans l'espace ci-dessous et l'indiquer lorsque vous appellerez votre distributeur ou la société Dosmatic pour obtenir des informations, pièces détachées ou autres services.

N° de série.....

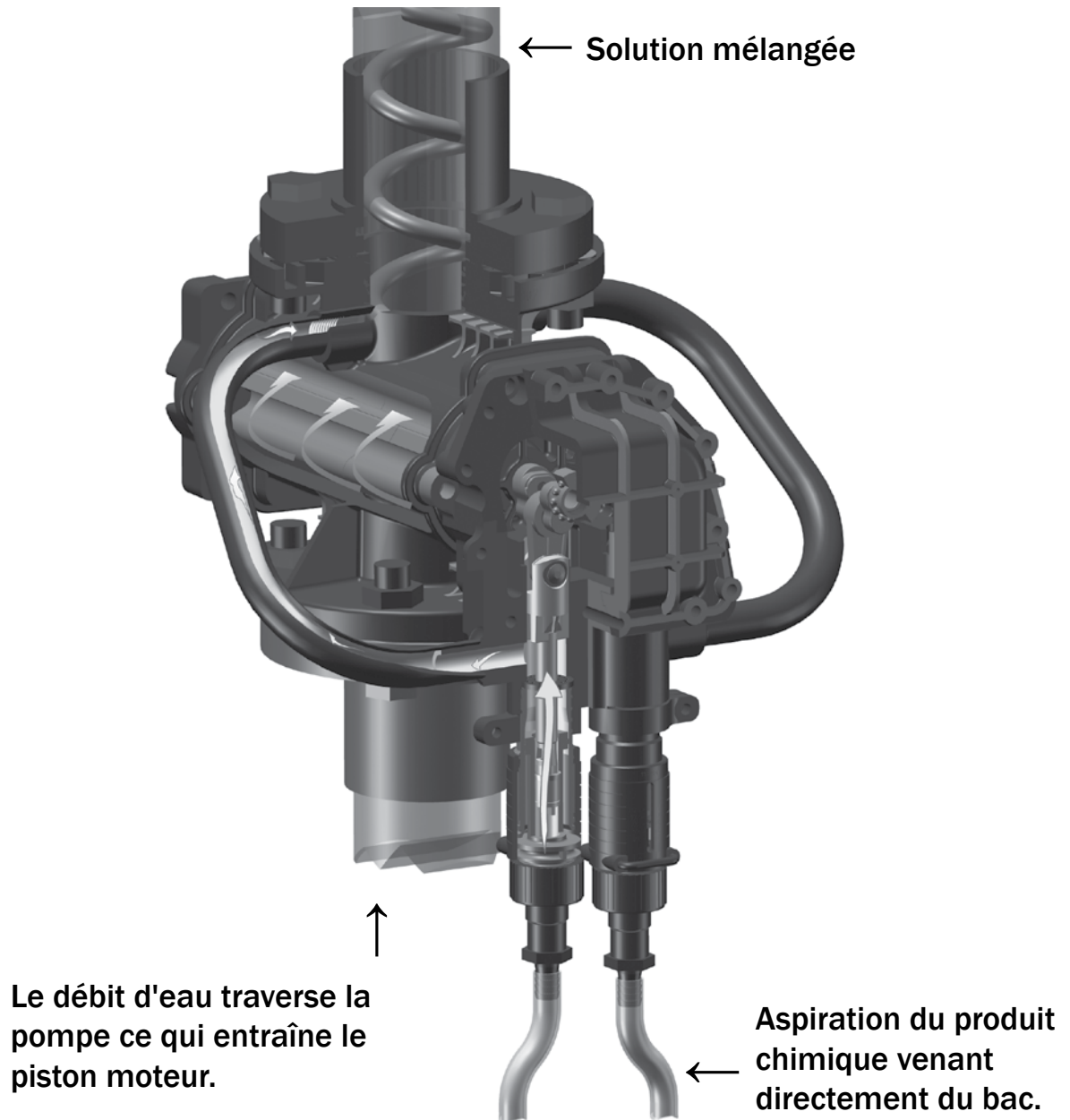
Date d'achat .....

**IMPORTANT :**  
**Pour l'enregistrement des produits, visiter notre site internet [www.dosmatic.com](http://www.dosmatic.com) afin de remplir le formulaire d'enregistrement!**

# Principe de Fonctionnement

## Précis et Fiable

L'injecteur est installé directement dans la conduite de fluide. Pour fonctionner, il utilise uniquement la pression du fluide et ne nécessite donc pas d'alimentation électrique. Le fluide entraîne un engrenage en polymère scellé avec des balais en élastomère brevetés. L'engrenage actionne ensuite un bras de manivelle sur palier qui provoque un mécanisme d'aspiration alternatif (le piston doseur). Une quantité prédéfinie (le réglage est réalisé au niveau de la partie inférieure) de produit chimique passe ainsi d'un récipient ouvert à l'injecteur. La quantité de produit chimique est directement proportionnelle au volume de fluide qui pénètre dans l'injecteur, quels que soient les changements de débit ou de pression.



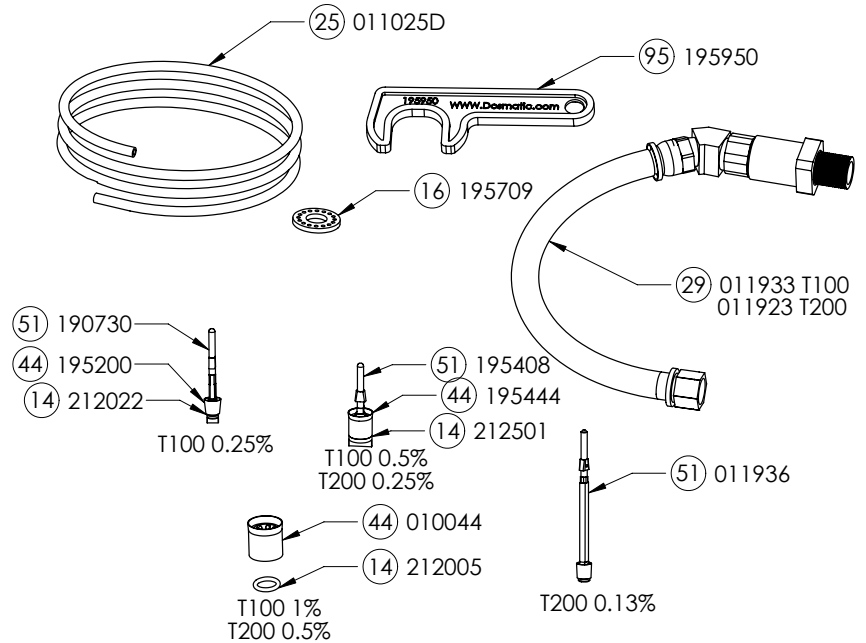
# Contenu Des Boites

La pompe est livrée avec les articles suivants:

Dosmatic USA  
Certified ISO 9001:2008 QMS

## TurboDos 100 & 200 Contents:

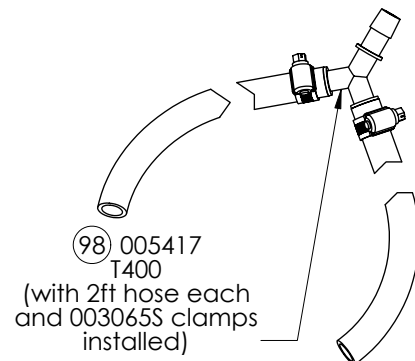
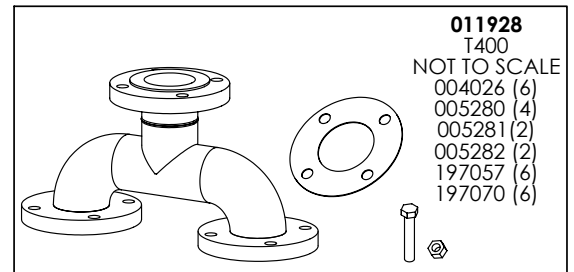
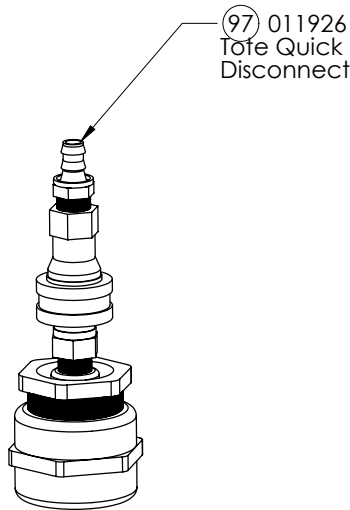
- Pompe Dosmatic (non indiquée)
- Piston Doseur
- Joint
- Manuel (non indiqué)
- Ensemble de tuyaux
- Joint de la partie inférieure
- Tuyaux d'injection latéraux
- Tuyau D'aspiration
- Clé de la partie inférieure
- Colliers pour tuyaux



Français

## Additional Contents for the TurboDos 400:

- Ensembles de collecteurs
- Pompe Dosmatic (non indiquée)
- Jeu de boulons et écrous
- Joints de bride
- Assemblage « en Y » : inclut des raccords de tubes d'aspiration, une attache « en Y » de 127 mm et 2 tuyaux d'aspiration jaunes de 609 mm
- Tuyau d'aspiration jaune (7,62 m)



# Specifications



## TurboDos 100 gpm (120 max. psi)

**Modèle 1%** 0.50% - 1% (1:200 - 1:100)  
**Modèle 0.5%** 0.10% - 0.50% (1:1000 - 1:200)  
**Modèle 0.25%** 0.025% - 0.25% (1:4000 - 1:400)  
**Intermittent Débit:** 20 - 100 gpm (75 - 379 l/mn)  
**Continu Débit:** 20-80 gpm (75- 303 l/mn)  
**Pression:** 20 - 120 psi (1,38 - 8,3 bar)  
**Connexions:** 2" flange/50 mm  
**Dual Dosage:** mélanger ou correspond à des extrémités inférieures (2) basées vos besoins d'injection

## TurboDos 200 gpm (120 max. psi)

**Modèle 0.25%** 0.05% - 0.25% (1:2000 - 1:400)  
**Modèle 0.5%** 0.25% - 0.5% (1:400 - 1:200)  
**Modèle 0.13%** 0.050% - 0.13% (1:2000 - 1:800)  
**Intermittent Débit:** 40 - 200 gpm (151 - 757 l/mn)  
**Continu Débit:** 40 -160 gpm (151 - 606 l/mn)  
**Pression:** 30 - 120 psi (2,1 - 8,3 bar)  
**Connexions:** 3" flange/76mm  
**Dual Dosage:** mélanger ou correspond à des extrémités inférieures (2) basées vos besoins d'injection

## TurboDos 400 gpm (120 max. psi)

**Modèle 0.25%** 0.05% - 0.25% (1:2000 - 1:400)  
**Modèle 0.5%** 0.25% - 0.5% (1:400 - 1:200)  
**Modèle 0.13%** 0.050% - 0.13% (1:2000 - 1:800)  
**Intermittent Débit:** 40 - 400 gpm (151 - 1514 l/mn)  
**Continu Débit:** 40 -320 gpm (151- 1211 l/mn)  
**Pression:** 30 - 120 psi (2,1 - 8,3 bar)  
**Connexions:** 3" flange/76 mm  
**Dual Dosage:** mélanger ou correspond à des extrémités inférieures (2) basées vos besoins d'injection



## TurboDos 100

	Single	Dual
<b>0.5%</b>	<b>114151PN</b>	<b>0.5% 114152PN</b>
<b>1.0%</b>	<b>114153PN</b>	<b>1.0% 114154PN</b>
<b>0.25%</b>	<b>114155PN</b>	<b>0.25% 114156PN</b>
		<b>1% &amp; 0.5% 114157PN</b>
		<b>1% &amp; 0.25% 114158PN</b>
		<b>0.5% &amp; 0.25% 114159PN</b>

## TurboDos 200

	Single	Dual
<b>0.25%</b>	<b>114551</b>	<b>0.25% 114552</b>
<b>0.5%</b>	<b>114554</b>	<b>0.5% 114555</b>
<b>0.13%</b>	<b>114556</b>	<b>0.13% 114557</b>
		<b>0.25% &amp; 0.5% 114558</b>
		<b>0.13% &amp; 0.5% 114559</b>
		<b>0.25% &amp; 0.13% 114560</b>

## TurboDos 400

	Single	Dual
<b>0.13%</b>	<b>114701</b>	<b>0.13% 114705</b>
<b>0.25%</b>	<b>114703</b>	<b>0.25% 114706</b>
<b>0.5%</b>	<b>114704</b>	<b>0.5% 114707</b>
		<b>0.25% &amp; 0.5% 114708</b>
		<b>0.13% &amp; 0.5% 114709</b>
		<b>0.25% &amp; 0.13% 114710</b>

Carter	Matériau composite de marque déposée
Précision moyenne de dosage	+/- 10%
Répétabilité	+/-3%
Perte de charge	Disponible sur demande
Temp Max. de l'eau	38°C
Temp Min. de l'eau	1°C
Hauteur Max. d'aspiration du produit	4 m
Longueur Max. d'aspiration du produit	15 m
Auto-amorçage	Oui
Joint disponibles*: *Contactez votre distributeur Dosmatic pour toute information sur la compatibilité chimique.	Aflas- Produits alcalins Viton - Produits Phyto, huiles, acides EPDM - Produits alcalins Kalrez®
Viscosité Max. du concentré	1,500 cP
Accessoires recommandés	104 microns, filtres, clapet anti-retour, régulateur de pression, limiteur de débit.

# Mesures De Sécurité

## Conformité de Garantie



**Avertissement**, veuillez lire attentivement les mesures de sécurité avant la mise en marche de l'appareil. Elles doivent respecter toutes les réglementations et procédures nationales.

### Oter tous les bouchons rouge avant l'installation

Tous les injecteurs sont testés à 100% en usine avant livraison et par conséquent il se peut que l'appareil contienne une petite quantité d'eau. Les bouchons en plastique rouge sont insérés après les tests pour veiller à la propreté de l'injecteur.

### Avant l'application de produits chimiques agressifs

Veuillez consulter votre distributeur, fabricant de produits chimiques ou contacter le service clientèle Dosmatic pour valider la compatibilité du produit avec votre injecteur.

### Etiqueter tout le réseau d'eau, vannes et raccords

Si la solution injectée est non potable, tout le réseau d'eau doit indiquer:

### Attention ne pas avaler!

### Surveillance du flux sortant pour une injection correcte

Il est de la responsabilité de l'utilisateur de vérifier régulièrement la quantité de produit chimique injecté. Pour les applications importantes, il est nécessaire de réaliser une mesure précise. Nous vous recommandons de mesurer précisément les unités de 0,25 % et de 0,13 % afin de garantir un dosage exact. Ajustez la bague de réglage sur le ratio maximal et attendez deux minutes pour permettre la purge de l'air présent dans la conduite d'aspiration. Après l'amorçage, ajustez la bague de réglage sur le ratio souhaité. L'unité reproduira ce dosage selon les spécifications fournies.

### Un Filtre Est Obligatoire

Installer un filtre de 104 microns ou plus fin en fonction de la qualité de l'eau afin de prolonger la durée de vie de l'injecteur et pour que la garantie soit valide. Un filtre est impératif car la plupart des eaux contiennent des impuretés ou des particules, surtout si l'eau provient d'un puits, d'un étang ou d'un lac.

### Éviter un accident chimique potentiellement dangereux

Choisissez un endroit sûr. Le bac contenant le produit chimique doit être tenu à l'écart des enfants et/ou des zones à usages réguliers. La pompe ne doit jamais être placée à un endroit où il risque de geler.

### Eviter une contamination chimique

Utilisez que de l'eau filtrée. Ne pas laisser les impuretés pénétrer dans le bac à produit. Elles peuvent être aspirées dans la ligne d'eau et entraîner la propagation de maladies. De plus, la saleté, les débris et autres polluants dans le bac peuvent provoquer une usure prématurée de la pompe.

### Température De Diesel

Min: 34 °F (1 °C) Max: 100 °F (38 °C)

### Pression Maximum de diesel

120 psi (8,3 bar)

Au départ, réglez les lignes sur 2,07 à 2,76 bar et sur 113,6 à 151,4 L/min. REMARQUE : les modèles 0,25 % et 0,13 % requièrent des techniques d'amorçage particulières. Ajustez la bague de réglage de la partie inférieure sur le ratio minimal et attendez deux minutes pour permettre la purge de l'air présent dans la conduite d'aspiration. Après l'amorçage, ajustez sur le ratio souhaité.

Installer un régulateur de pression et/ou une soupape de surpression pour vous assurer que lorsque l'appareil est en marche, la pression ne dépasse pas le maximum indiqué.

### Avant De Désinstaller Un Injecteur

**Libérer la pression d'eau.** Pendant que le système est en fonctionnement, fermez la vanne à l'entrée de la pompe. Laisser les vannes ouvertes en sortie de pompe, ce qui permettra de relâcher la pression de l'injecteur ainsi que toutes les parties du système situées après l'injecteur. La pompe peut maintenant être enlevée en toute sécurité.

## Conseils Généraux

**Veuillez lire les instructions attentivement. Si vous suivez les procédures, votre injecteur aura une durée de vie prolongée.**

### Pour une longue durée de vie

Démarrer avec une eau propre en utilisant un filtre en amont pour supprimer les impuretés. Garder le récipient fermé avec un couvercle propre. Conserver la crépine à 2 "(5 cm) au fond du récipient. Effectuer les procédures d'entretien recommandées en page 34.

### Alignement des brides

Assurez-vous que les tuyaux raccordés aux brides sont installés en ligne droite pour éviter toute contrainte sur les brides due à un désalignement. Les tuyaux doivent également être fixés et soutenus de façon à empêcher tout mouvement latéral, source de contrainte et de dégâts au niveau de la bride. REMARQUE : la bride, les boulons et les écrous ne sont pas fournis avec votre unité TurboDos. Le couple de serrage recommandé pour une bride de 51 à 102 mm est de 33,90 Nm (111 newtons). Consultez la page 38 pour connaître l'ordre d'installation des boulons de la bride.

### Protéger Des Températures Extrêmes

Protéger l'injecteur du gel ou de la chaleur excessive.

**Rincer Après Chaque Utilisation** Si une solution chimique reste dans la pompe, elle peut sécher, encrasser et endommager la partie basse lors de la prochaine utilisation. (Voir entretien page 34).

### L'injecteur Est Inutilisé Pendant Une Période Continue

Si l'injecteur n'a pas été entretenu correctement, des dépôts peuvent avoir séché sur le turbines de la pompe (voir entretien page 34). Avant de démarrer, faire tremper l'appareil entièrement dans l'eau à température ambiante env. 72 °F (22 °C) pendant huit heures.

# Fonctionnement

## La présence d'un grondement est normale

Le diesel qui circule dans l'injecteur engendre automatiquement un grondement et permet à l'injecteur de propulser une quantité définie de solutions dans la conduite de diesel. Plus le débit est élevé, plus le grondement est fort. L'injecteur a été conçu pour injecter une quantité proportionnelle de solutions (pour le même ratio), quel que soit le débit du diesel.

## Le Débit Diesel

Le débit d'eau et la pression doivent correspondre aux informations techniques indiquées selon votre modèle (voir les données techniques page 28).

## Changer le taux d'injection

le taux d'injection est réglable, MEME EN COURS DE FONCTIONNEMENT ET SOUS PRESSION. Pour modifier le dosage voir (Fig. 1).

Tournez la bague de réglage (# 61) (Fig. 1a) vers le haut ou vers le bas (schéma 1a) afin de sélectionner le taux d'injection souhaitée.

REMARQUE: Ne pas dévisser la bague de réglage plus bas que le seuil. Vérifiez le dosage en sortie de pompe pour vous assurer que celui demandé est bien le bon.

## Fonctionnement du Marche/Arrêt

Pour l'installation, utilisez une dérivation à trois valves comme indiqué sur le schéma d'installation (fig. 5 en page 10).

Lorsque la valve (A) est fermée et que les valves (B et C) sont ouvertes, l'injecteur fonctionne normalement et le diesel circule. Il est recommandé d'utiliser une dérivation à trois valves (voir fig. 5) lors d'une mise en dérivation continue ou d'une réparation de l'injecteur.

## Raccord des brides

1. Le tuyau d'admission et le tuyau de sortie sont tous les deux équipés d'une bride et sont raccordés vers et depuis le collecteur du TurboDos 400. Les brides doivent être installées en ligne droite, parallèlement et au même niveau afin d'éviter toute contrainte sur la bride due à un désalignement. Les tuyaux et le TurboDos 400 doivent être attachés et soutenus de façon à empêcher les mouvements latéraux, sources de contrainte et de dégâts au niveau du boîtier de l'injecteur.

2. Fixez la bride du bas du collecteur à la bride du tuyau d'admission. Fixez les brides du collecteur aux brides de la partie inférieure de chaque injecteur en plaçant correctement le joint. Pour cela, alignez les trous de boulon des brides d'accouplement en faisant tourner jusqu'à la position voulue.

3. Insérez tous les boulons et placez les rondelles (deux rondelles standard par boulon) et les écrous.

4. Vérifiez que les faces des surfaces d'accouplement affleurent le joint avant de fixer les brides.

5. Serrez les écrous à la main de façon à ce qu'ils soient ajustés. Appliquez une pression uniforme sur la face de bride en serrant les boulons par incréments de 6,80 Nm (22 newtons) selon l'ordre indiqué ci-dessous qui repose sur une opposition de 180°. Voir. fig. 2 (1-2-3-4)

6. Prenez soin de ne pas « plier » la bride lorsque vous la raccordez à une bride « à face surélevée » ou à un robinet d'eau. N'utilisez pas de boulon pour raccorder des brides qui ne sont pas correctement ajustées.

7. Couple de serrage des boulons : le couple maximal recommandé pour une bride de 51 à 102 mm est de 33,90 Nm (111 newtons).

Fig. 1

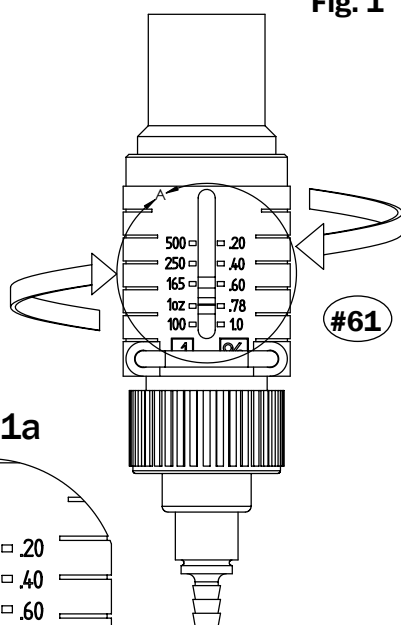


Fig. 1a

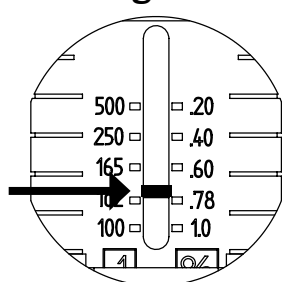
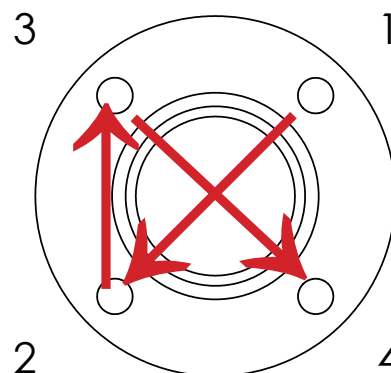


Fig. 2

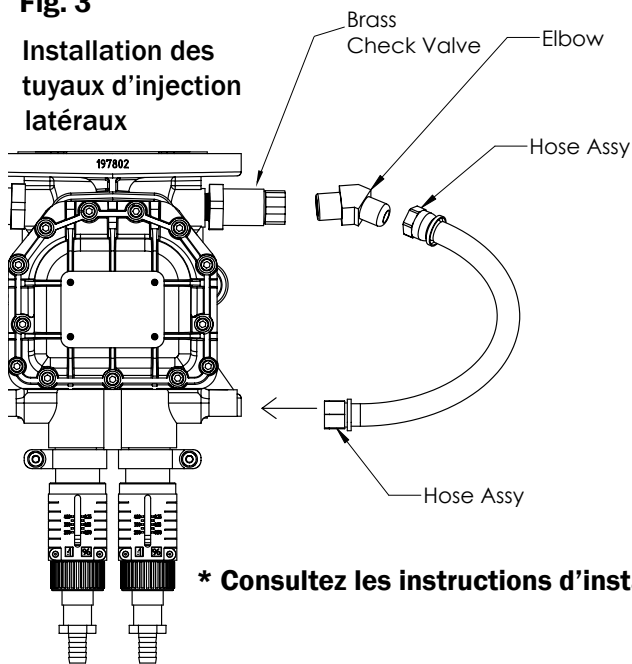


# Installation Et Mise En Marche

Référence des pièces détachées pages 78 à 85

Fig. 3

## Installation des tuyaux d'injection latéraux



\* Consultez les instructions d'installation

## Installation des tuyaux d'injection latéraux

1. Détachez le coude des tuyaux et attachez-le au clapet antiretour en laiton. Pour fixer le coude, utilisez la clé afin de maintenir le clapet antiretour en laiton dans sa position d'usine. NE SERREZ PAS.
2. Dévissez le capuchon de la pièce n° 40, retirez-le de la sortie d'injection latérale inférieure et fixez les tuyaux.
3. Revissez les tuyaux dans le coude au niveau de l'admission de l'injection sur la partie supérieure latérale.

**Si l'unité est un TurboDos 400, suivez les instructions ci-dessus pour les deux injecteurs.**

Français

Fig. 4

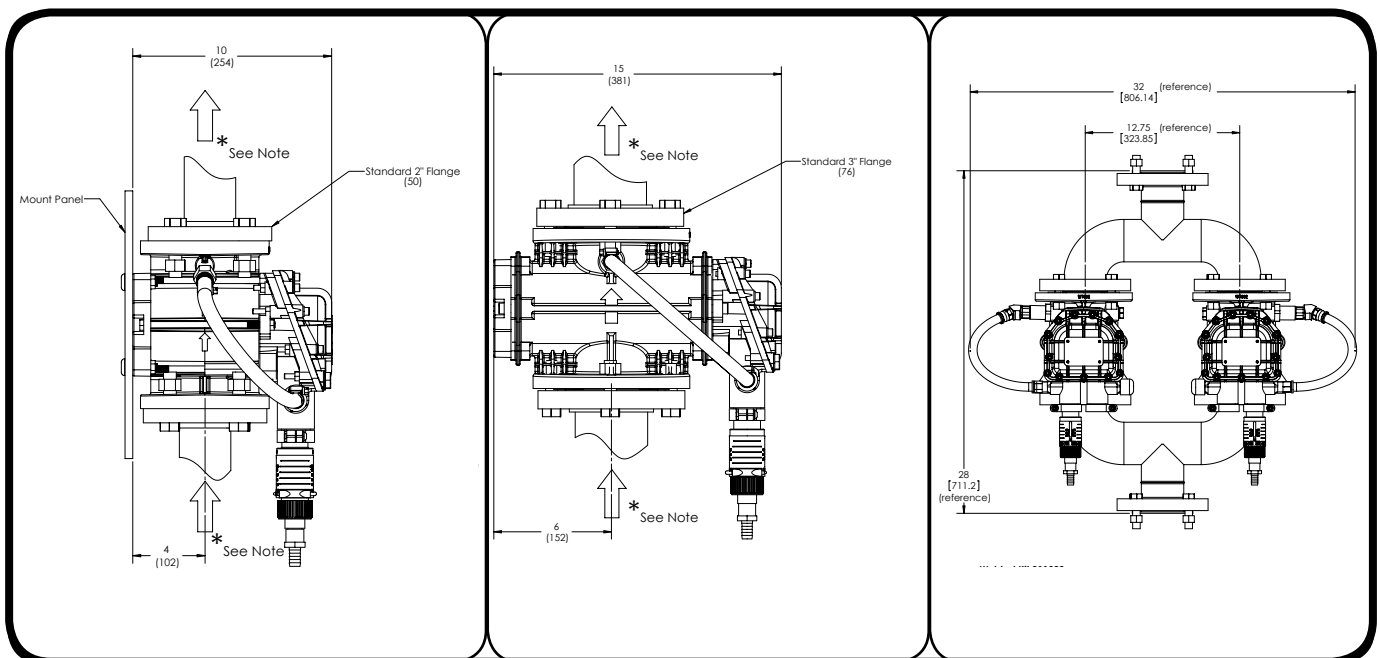
## Installation Dimensions

\*Des modèles inversés sont disponibles pour orienter le débit dans le sens contraire

TurboDos 100

TurboDos 200

TurboDos 400



# Installation Et Mise En Marche

Voir fig. 4 et Fig. 5

## Filtre (Requis)

Installer un filtre de 104 microns ou plus en fonction de la qualité de l'eau afin de prolonger la durée de vie de l'injecteur et pour que la garantie soit valide. Pour les modèles TurboDos 100, Dosmatic recommande l'utilisation d'un filtre Twist II Clean® de 51 mm. Il est possible de le commander en même temps que votre injecteur.

## Fixation De L'injecteur

Fixez correctement votre injecteur à une structure solide. Si les tuyaux d'admission et de sortie sont soutenus, l'injecteur peut être installé sans support. Installez l'injecteur directement sur une canalisation de 50 mm ou de 76 mm (selon le modèle). Prenez soin de serrer partiellement chaque boulon de la bride selon un ordre alterné avant de tous les serrer complètement. Cela évite d'endommager la bride de l'injecteur.

## Clapet Anti-Retour (Recommandé)

Installer un clapet qui respecte les normes du pays..

## Dispositif De Sécurité (Recommandé)

Empêche la pression de dépasser les données techniques de l'appareil.

## Installation De Vanne (Recommandé)

Permet de désinstaller l'appareil pour l'entretien ou le stockage lorsque vous ne l'utilisez pas.

## Anti coup de bélier (Recommandé)

Empêche les coups de béliers d'abîmer l'injecteur lorsque l'on ferme trop rapidement les vannes solénoïdes, pneumatiques ou à commande manuelle.

## Vanne Anti-Siphon (Facultatif)

Pour empêcher que le produit ne soit siphonné dans les lignes d'alimentation lorsque la vanne en amont est fermée. La vanne anti-siphon doit être installée en aval de la pompe.

## Préventions Supplémentaires Contre Le Siphonage

Placer le récipient en dessous du tuyau d'aspiration. Si vous utilisez la vanne d'entrée pour couper l'arrivée d'eau cela peut provoquer un siphonage du produit dans la ligne d'alimentation.

## Bac À Produit Chimique

Utiliser un récipient de n'importe quelle taille. Un couvercle est recommandé. Pour rattacher votre bac, insérer doucement le tuyau d'aspiration sur l'embout de la partie aspiration de la pompe. Placer la crépine dans le bac à produit à au moins 5 cm du fond et le remplir avec au moins 5 cm de solution chimique.

## Ne Jamais Utiliser Des Lubrifiants À Base D'essence

L'injecteur est livré avec une fine couche de silicone autour des joints pour faciliter l'étanchéité de la pompe. Les lubrifiants à base d'essence tels que la vaseline®, l'huile pour bébés, WD40®, ou l'huile de moteur sur les joints toriques ou sur une partie de l'injecteur ne doit jamais être utilisé car cela peut entraîner la naissance de particules qui risquent de bloquer ou d'endommager l'injecteur.



## Vérification Du Système D'étanchéité Et Des Procédures De Mise En Marche

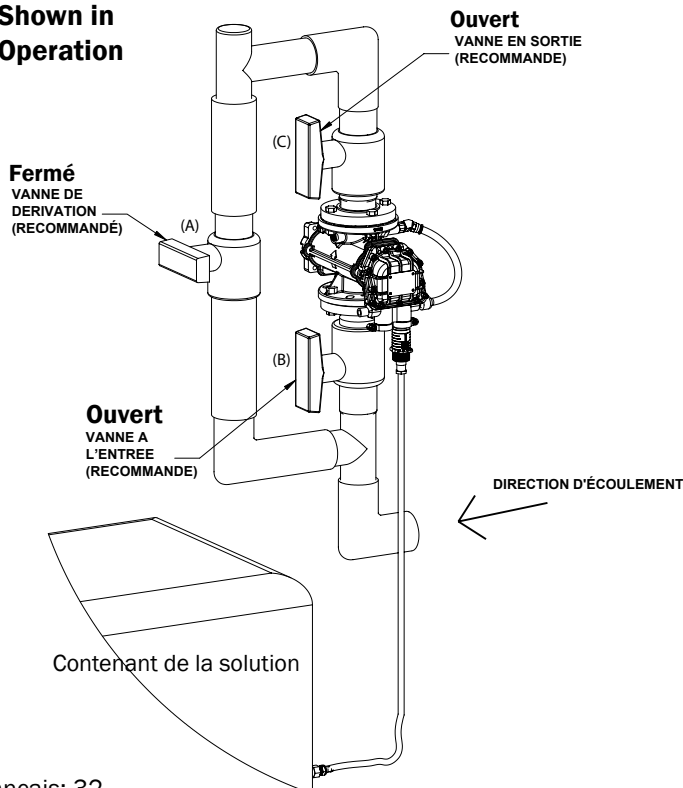
Ouvrez la vanne de dérivation (A), fermer la vanne d'entrée (B) et la vanne de sortie (C) pour empêcher l'eau de s'écouler dans l'injecteur. DOUCEMENT ouvrez la ligne d'eau principale. Faites s'écouler l'eau entre 11 et 45 l/min à travers le réseau. Ouvrez toutes les vannes situées en aval de votre injecteur pour laisser sortir l'air. Ouvrez LENTEMENT la vanne d'entrée (B). Ouvrez la vanne de sortie (C) et fermez la vanne de dérivation (A). Quand l'eau passe dans l'injecteur, vous entendez des « clics ». Vérifiez s'il y a des fuites et corriger si nécessaire.

# Conseil schéma d'installation

Fig. 5

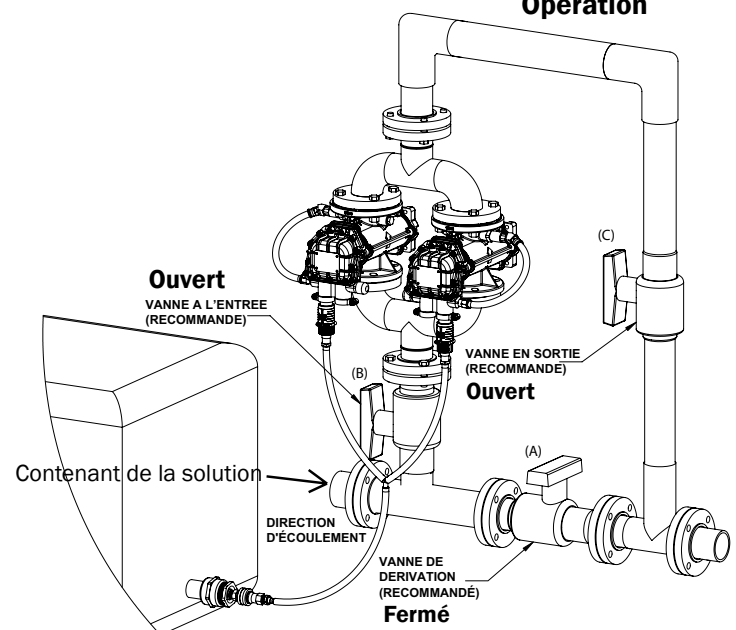
TurboDos 100 & 200

Shown in  
Operation



TurboDos 400

Shown in  
Operation





# Instructions d'installation du TurboDos 400

Pour installer correctement votre système Dosmatic, nous vous conseillons vivement de suivre les étapes d'installation suivantes. Ces indications peuvent varier selon les conditions d'utilisation. Consultez la fig. 5 en page 45 pour consulter le schéma d'installation complet.



1. À partir de la serrure de la came d'injection, choisissez une zone assez spacieuse pour installer le TD400 avec une dérivation à trois valves.



2. Selon l'espace disponible, coupez la canalisation de façon à pouvoir souder un té de chaque côté de la canalisation sectionnée ainsi que les brides sur la valve de marche-arrêt au centre de la section.



3. Installez toujours votre TurboDos 400 au-dessus du niveau de vos réservoirs de produits chimiques ou d'additifs. Pour garantir une installation correcte, il est possible d'ajouter un tuyau d'extension à la bride de fixation tel qu'indiqué sur l'illustration.



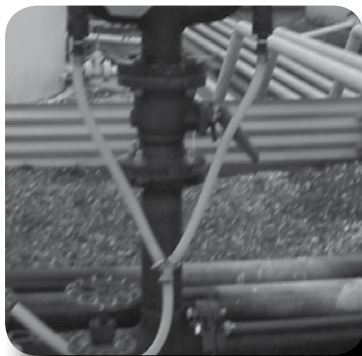
4. Fixez chaque injecteur à la partie inférieure du collecteur à l'aide des boulons et des joints fournis (consultez l'ordre de serrage des boulons et les spécifications de serrage).



5. Fixez la moitié supérieure du collecteur à l'aide des boulons et des joints fournis (consultez l'ordre de serrage des boulons et les spécifications de serrage indiqués à la page suivante).



6. Poursuivez le raccordement de la partie supérieure du collecteur pour installer la dérivation à trois valves selon les instructions.



7. Dans l'emballage des deux injecteurs, vous trouverez l'assemblage « en Y » qui comprend les raccords de tubes d'aspiration, deux tuyaux d'aspiration jaunes de 609 mm, les colliers pour tuyaux et l'attache « en Y ». Libérez le joint torique des liens torsadés et placez-le à l'intérieur de l'assemblage des raccords de tubes d'aspiration. Vissez dans les parties inférieures de chaque injecteur.

8. Une fois l'assemblage « en Y » fixé à chaque injecteur, vous pouvez attacher le long tuyau d'aspiration jaune à l'attache « en Y » et le fixer à l'aide des colliers pour tuyaux. Vous pouvez maintenant commencer les procédures de démarrage indiquées dans le manuel d'utilisation.

# Entretien

Référence des pièces détachées page 78 à page 85.

## Nettoyer le bac à produit

Laisser le couvercle en permanence sur le récipient pour empêcher la saleté, les mouches, les plumes et autres débris volants de pénétrer dedans. Rincer le bac soigneusement et souvent. Ne pas mélanger les produits chimiques qui pourraient réagir et former un précipité. Utiliser de l'eau FILTREE lors du remplissage des bacs

## Nettoyer la crépine

Vérifiez la à chaque fois qu'un nouveau produit est utilisé. Nettoyez le filtre (# 27) et le tuyau d'aspiration (# 25) le cas échéant par un rinçage à l'eau douce. Remplacer si nécessaire. Empêchez la crépine de toucher le au fond du bac à produit pour empêcher la saleté et les précipités de boucher la crépine.

## Nettoyer le filtre à l'entrée de la pompe

Nettoyer ou remplacer le filtre placé à l'entrée de la pompe si nécessaire pour prolonger la durée de vie de l'appareil et afin de réduire les pertes de pression.

## Bypass injecteur

Lorsqu'il n'est pas en marche, utilisez (de préférence) la dérivation by-pass à 3 vannes.

## Stockage

Pour un stockage prolongé, rincer l'injecteur (voir « Rincer l'injecteur après chaque utilisation») et le mettre sous l'eau dans un seau. Tous les mois, ajouter environ 30 ml d'eau de Javel pour éviter la propagation d'algues. ATTENTION CRAINT LE GEL.

## Effectuer ces procédures d'entretien pour prolonger la durée de vie de la pompe.

Voir page 79 et 81

Modèle TurboDos 100 (0.5%, 1%, 0.25%)

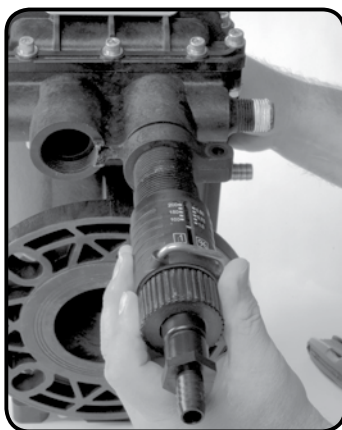
Tous Les 3 À 6 Mois	Tous Les 6 À 12 Mois	Remplacer Si Nécessaire
1. Nettoyer les joints (#14) ou (#51 - 0.25%). 2. Verifier (#37) nettoyer le cylinder et/ou remplacer si nécessaire.	1. Remplacer piston doseur (#44). 2. Nettoyer et/ou remplacer les soupapes anti-retour (#13), tuyau d'aspiration (#11).	1. (#37) Cylindre 2. (#14) joint 3. (#44) piston doseur ou (#51 - 0.25%)

Voir page 83 et 85

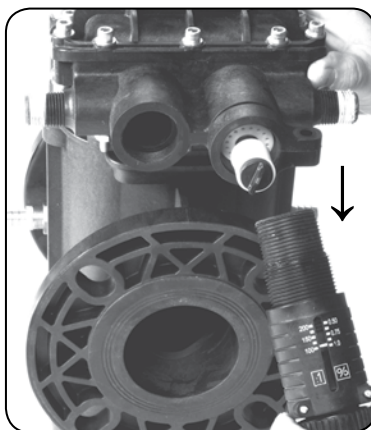
Modèle TurboDos 200/400 (0.25%, 0.5%, 0.13%)

Tous Les 3 À 6 Mois	Tous Les 6 À 12 Mois	Remplacer Si Nécessaire
1. Nettoyer les joints (#14 ou #51 - 0.13%). 2. Verifier (#37) nettoyer le cylinder et/ ou remplacer si nécessaire.	1. Remplacer piston doseur (#44 ou #51 - 0.13%), rincer et/ou remplacer. 2. Nettoyer et/ou remplacer les soupapes anti-retour (#13), Tuyau d'aspiration (#11).	1. (#37) Cylindre 2. (#14) joint 3. (#44 & #51) tige de commande du piston doseur.

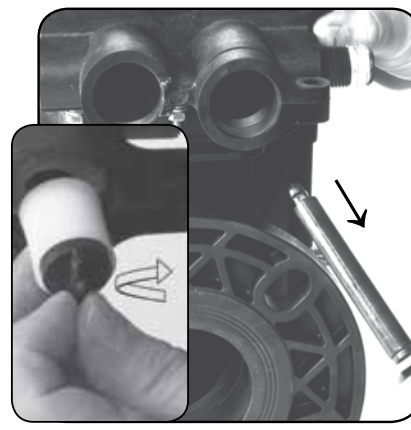
# Instructions pour l'entretien courant



**Étape 1.**  
Dévissez la PARTIE  
INFÉRIEURE  
DU CYLINDRE du corps.



**Étape 2.**  
Retirez la PARTIE  
INFÉRIEURE DU CYLINDRE.



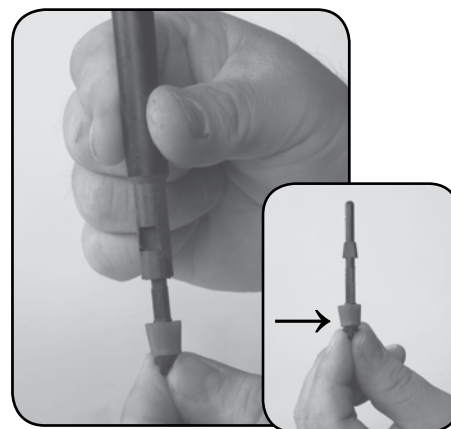
**Étape 3.**  
Faites pivoter la TIGE n° 52 de 90°  
et séparez-la du corps.



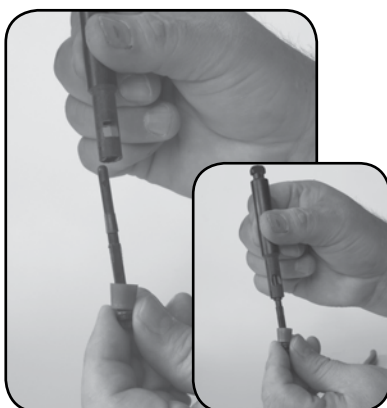
**Étape 4 pour (1% & 0.5%)**  
Appuyez sur les languettes et retirez  
le piston doseur.



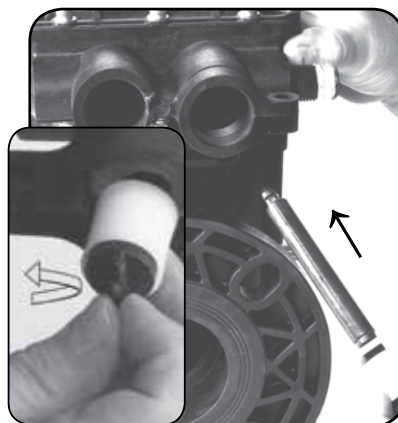
**Étape 4a pour (TD100 - 1% et  
TD200 - 0.5%)**  
Remplacez le bout évasé du  
PISTON DOSEUR n° 44 et le joint  
torique n° 14.



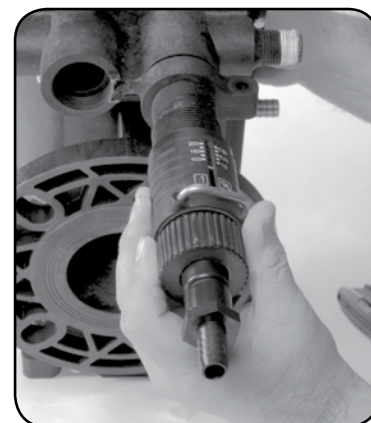
**Étape 5 for**  
(TD100 - 0.25%, 0.5% et TD200  
0.25%) Retirez la TIGE INFÉRIEURE  
n° 51, le PISTON DOSEUR n° 44 et le  
joint torique n° 14



**Étape 5a pour**  
(TD200 0.13%) Retirez et remplacez  
la TIGE INFÉRIEURE n° 51.



**Étape 6.**  
Réinsérez la TIGE n° 52 dans le corps  
et faites-la pivoter de 90° pour la  
bloquer. Insérez la pièce n° 51 dans la  
TIGE SUPÉRIEURE pour les modèles  
TD100 0,5 %, 0,25 % et TD200 0,25  
% et 0,13 %. Vérifiez que la tige est  
verrouillée en tirant délicatement  
dessus. La tige doit rester insérée.



**Étape 7.**  
Vissez la PARTIE INFÉRIEURE DU  
CYLINDRE dans le corps. Vérifiez  
que le joint n° 16 est placé dans  
la partie supérieure du cylindre.

# Diagnostic Des Anomalies

## Toujours augmenter la pression lentement (suivre les instructions page 32)

Problème	Cause	Solution
<b>Ca Ne Clique Pas</b>	L'eau s'écoule dans la système	Le débit est inférieur ou supérieur aux capacités de l'injecteur (Voir les données techniques page 28). S'il l'est inférieur, augmenter le débit et s'il est supérieur, baisser le. Si la pression de service ne correspond pas aux spécifications, ajustez-la en conséquence (Voir les données techniques page 28). La trois vanne, vanne en dérivation n'est pas fermée (A). Vérifier la et la mettre en position OFF.

## Injecteur en cours de fonctionnement ou après entretien régulier

Problème	Cause	Solution
<b>N'aspire Pas Le Produit</b>	Le tuyau d'aspiration #25 ou l'embout du tuyau d'aspiration est fendu, fissuré ou bien la crépine est bouchée.	Remplacer et/ou nettoyer si nécessaire.
	Le piston doseur #44 est usé ou pas inséré correctement.	Replacer le piston doseur #44 et assurez vous qu'il soit insérer correctement, le côté évasé doit être dirigé vers le haut.
	Le joint #14 est usé.	Le remplacer.
	Le clapet anti retour #13 fuit:	Nettoyer et le remplacer si nécessaire.
	Tige déconnectée	Retirez la partie inférieure et vérifiez que les tiges sont bien raccordées.

Problème	Cause	Solution
<b>Sous-Dose Le Produit</b>	Le piston doseur #44 est usé	Remplacer.
	Le cylindre interne #37 est usé	Remplacer.
	La pompe marche à haut débit mais pas à bas débit	Vérifiez que les exigences minimales de débit sont respectées.

Problème	Cause	Solution
<b>L'eau Retombe Dans Le Bac À Produit Chimique</b>	Le clapet anti-retour #13 fuit	Vérifier la propreté de la zone de contact entre la pièce #11 et la pièce #13. Nettoyer l'ensemble à l'eau claire.
	Le joint du clapet anti-retour #13 a gonflé ou a été abîmé à cause d'une attaque chimique	Mettre un nouveau clapet anti-retour.

# Garantie



Français

## Félicitation Pour Votre Commande

Nous fabriquons les meilleures et les plus fiables pompes doseuses hydrauliques du marché. Notre garantie offre la meilleure couverture possible. Dosmatic fournit toutes les pièces détachées qui s'avèrent être défectueuses au niveau du matériel ou de la fabrication à compter de la date d'achat et en tenant compte des périodes suivantes:

3 ans	Bride de fixation murale, corps partie intermédiaire et couvercle
2 ans	Turbines et manivelles
1 an	Partie inférieure (sauf usure normale des pièces)

Cette garantie couvre uniquement les défauts causés par le processus de fabrication dans les délais indiqués ci-dessus. La décision de prendre en charge la réparation sous garantie n'appartient qu'à Dosmatic Europe. Toute réparation effectuée sous garantie ne prolongera pas la période de garantie initiale.

## Pour Que Votre Garantie Fonctionne

Votre seule responsabilité est l'entretien courant, le filtrage de l'eau et du produit injecté, le remplacement du joint torique et du piston doseur lorsqu'ils sont usés. Les joints et les joints toriques ne sont pas couverts par la garantie.

Cette garantie n'est pas valable si les défauts sont avérés être dus à une mauvaise utilisation du produit, un manque d'entretien, des impuretés dans l'eau comme le sable ou le fer, une installation défectueuse, le gel, un coup de bélier, une mauvaise utilisation, une utilisation abusive, des effets

secondaires indésirables à cause du produit chimique que vous avez choisi d'injecter ou si des manipulations ont été effectuées sur la pompe par quiconque n'étant pas un distributeur Dosmatic agréé.

La garantie pourra être refusée si le corps de la pompe a été démonté. Si vous croyez que vous avez un problème dans le **impellers** ou à l'intérieur du corps de pompe, veuillez contacter Dosmatic ou un centre de réparation autorisé à prendre des dispositions pour envoyer l'injecteur afin d'être évalué et/ou réparé.

Dans aucun cas Dosmatic sera tenu pour responsable pour des dommages accidentels, spécifiques, indirects, ou des répercussions importantes si le problème vient d'une mauvaise utilisation ou incapacité à utiliser le produit correctement et si cela engendre des dommages sur la pompe.

Il n'y a aucune garantie possible explicite ou implicite venant des produits chimiques utilisés avec une pompe Dosmatic.

Dosmatic ou le distributeur agréé n'est pas responsable des dommages directs ou indirects, tels que des pertes économiques, résultant de la violation de cette garantie écrite ou implicite. Il n'existe aucune garantie, explicite ou implicite, qui s'étend au-delà de celle décrite ci-dessus. Dosmatic se réserve le droit de réparer ou remplacer le produit. De tels recours seront votre seul et unique recours pour toute violation de la garantie. Ces mesures sont les seuls et uniques recours que Dosmatic puissent vous apporter en cas de dysfonctionnement de produit en cours de garantie.

## Pour retourner un injecteur pour une réparation sous garantie ou hors garantie:

Voir page 2 pour les informations relatives aux différentes filiales de Dosmatic.

1. Bien rincer l'injecteur avec de l'eau pour éliminer toute substance chimique et l'égoutter. S'assurer que la pompe soit bien emballée pour l'expédition.
2. Afin d'accélérer l'évaluation de la garantie ou bien des réparations avec ou sans garantie, veuillez joindre les éléments suivants: une copie de la facture originale, le numéro de série de l'appareil, le produit chimique utilisé, vos coordonnées, ainsi que le code que vous aura donné le service clientèle Dosmatic pour vous autoriser à renvoyer la pompe.
3. Envoyer la marchandise prépayée à Dosmatic ou à votre distributeur le plus proche. Pour connaître le nom de votre distributeur national ou si vous l'envoyez directement à Dosmatic, contacter le SAV.
4. Lorsqu'un est injecteur prit sous garantie : après inspection et évaluation des défauts de matériaux ou de fabrication, l'appareil sera réparé ou remplacé (selon la décision de Dosmatic) gratuitement et renvoyé au frais de Dosmatic.
5. Pour un injecteur qui n'est pas sous garantie: après analyse du problème, Dosmatic ou le distributeur local appellera le client pour un devis de réparation.

# Deutsch

## Inhalt

Arbeitsprinzip .....	39
Inhalt der Lieferung .....	40
Technische Daten .....	41
Sicherheitsmaßnahmen .....	42
Warranty Compliance .....	42
Allgemeine Empfehlungen .....	42
Betrieb .....	43
Installation und Inbetriebsetzung .....	44
Installation Dimensions .....	44
Empfohlenes Installationsdiagramm .....	45
Installation und Inbetriebsetzung .....	45
TurboDos 400 Installation Instructions .....	46
Wartung .....	47
Routine-Wartungsanleitung .....	48
Problemlösung .....	49
Garantie .....	50

### **Bitte lesen Sie diese Bedienungsanleitung genau durch, bevor sie die Dosmatic Dosierpumpe in Betrieb setzen.**

Diese Broschüre beinhaltet die nötige Information für den Einsatz und die Wartung Ihrer neuen Dosmatic Dosierpumpe. Wenn Sie noch weitere Fragen zu dem Injektor, der Garantie, der Routinewartung oder der genauen Bedienung haben, kontaktieren Sie Ihren nächsten Vertreter oder den Dosmatic Kundendienst.

Diese Modelle sind zur Einspritzung Diesel-Zusatzstoffe, die für die Einspritzung in Flüssigkeitssysteme geeignet und zugelassen sind, bestimmt.

Es ist die Verantwortung des Benutzers, anhand der Empfehlungen des Chemikalienherstellers, die korrekten Dosierungsangaben der Einheit zu bestimmen und zu versichern, dass die genaue Dosierung eingehalten wird.

### **Wartung und Garantie**

Dosmatic bietet ab dem Erwerb eine Drei Jahre Garantie für ausschließlich Herstellungs- oder Materialfehler an. Bei richtigem Einsatz und Wartung, sollte die Leistung Ihrer Dosierpumpe langfristig sein. Bitte überprüfen Sie die komplette Garantiefinformation auf Seite 50.

#### **Für Ihre Information**

Die Seriennummer Ihrer Dosierpumpe befindet sich auf dem Körper des Injektors. Bitte schreiben Sie diese Nummer in das untere Feld und geben Sie diese an, wenn Sie Ihren Vertreter oder Dosmatic für Information, Teile oder Service anrufen.

Seriennummer.....

Erwerbsdatum.. ..

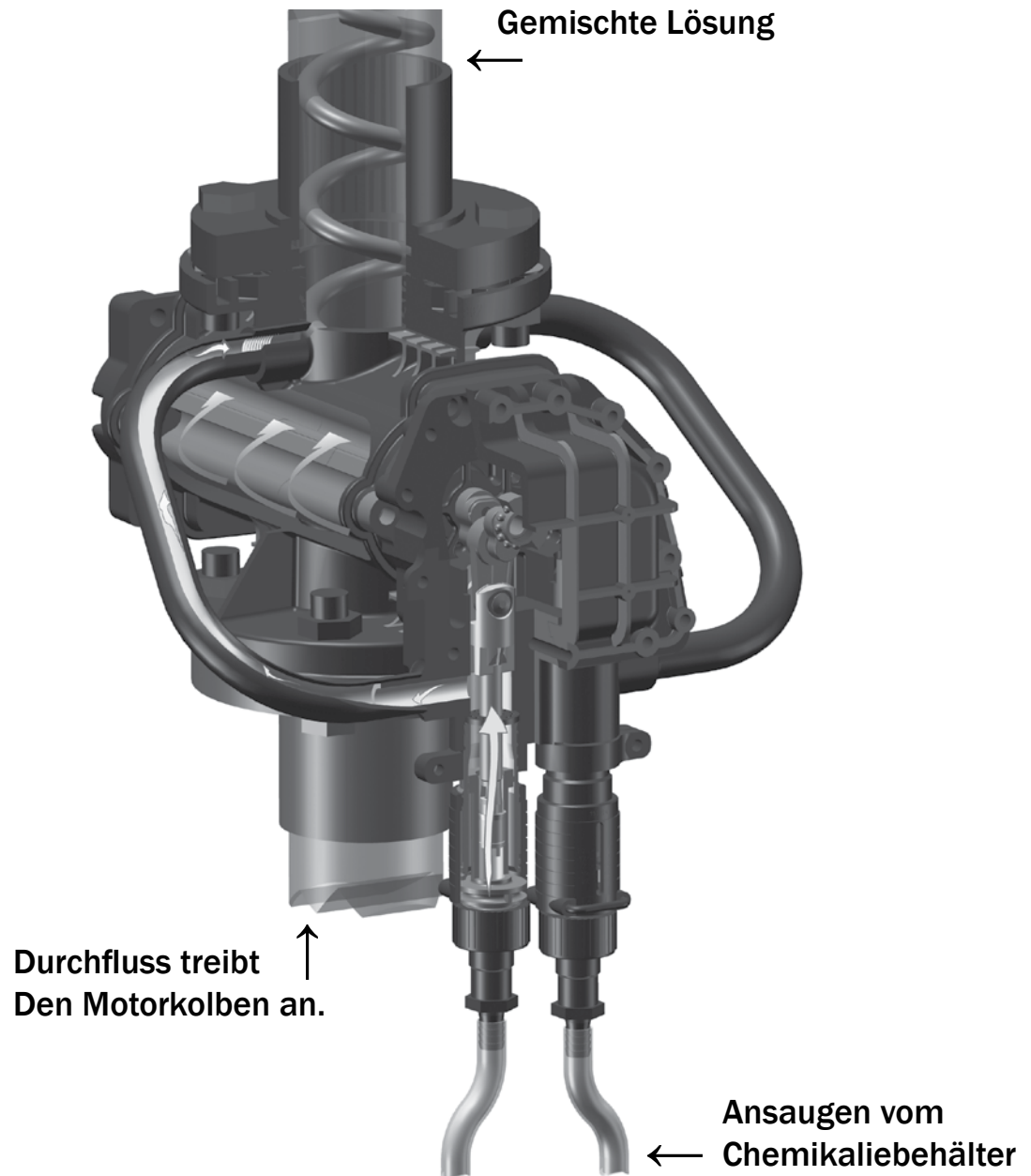
**Wichtig:**  
**Für Produktregistrierung**  
**Besuchen Sie unsere Webseite**  
**[www.dosmatic.com](http://www.dosmatic.com)**  
**um das Produktregistrierungs-**  
**formular auszufüllen!**

Dieses Dokument ist keine vertragliche Bindung mit Dosmatic und dient nur zur Information. Dosmatic behält sich vor, Produktdaten oder Erscheinungsbild ohne vorherige Ankündigung zu ändern.

# Arbeitsprinzip

Präzise und zuverlässig

Die Dosierpumpe ist direkt an den Wasserkreislauf angeschlossen und benötigt keinen Strom, da sie vom durchfließenden Wasser angetrieben wird. Das Wasser betätigt den Polymerantrieb mit patentierten Elastomerabstreifern. Die Antriebe aktivieren dann ein Auflagehebel Bauelement mit Kolbenansaugung (Dosierkolben). Eine vorbestimmte Menge (Unteres Ende Einstellung) der Chemikalie wird von einem offenen Behälter in die Dosierpumpe gesaugt. Die Dosierung der Chemikalie ist proportional zum durchfließenden Wasser, unabhängig von Durchfluss- oder Druckschwankungen.



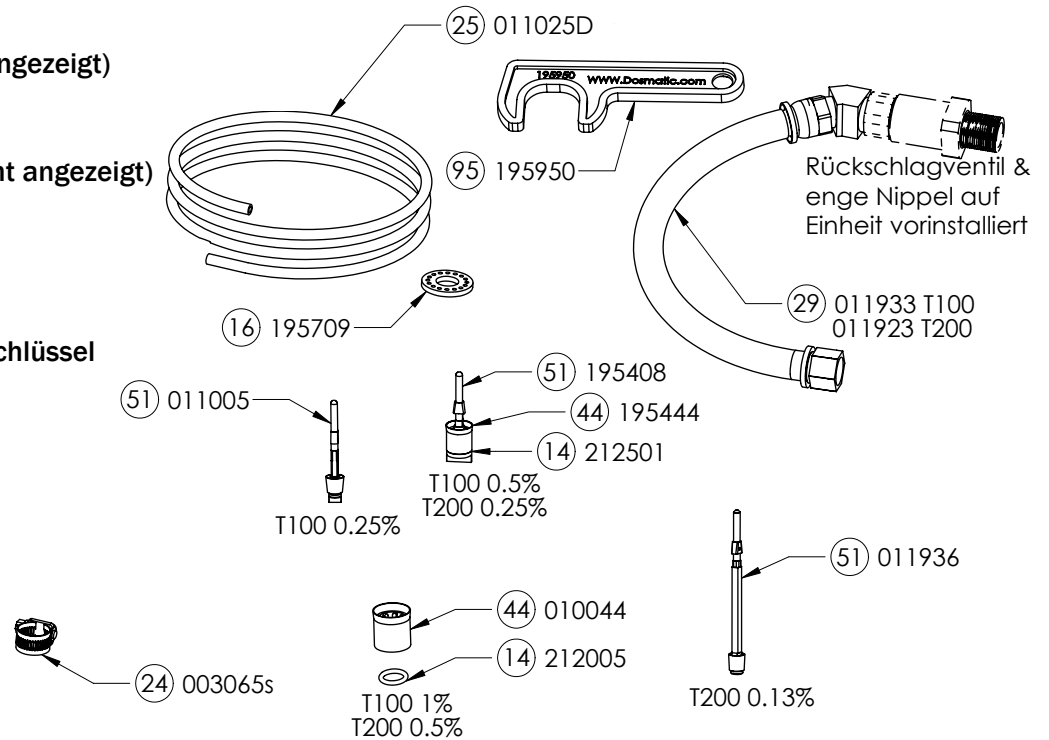
# Inhalt der Lieferung

Die Dosierpumpe wird mit folgenden Elementen geliefert:

**Dosmatic USA**  
Certified ISO 9001:2008 QMS

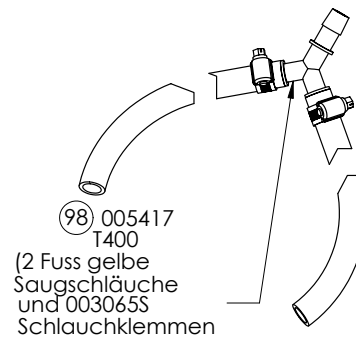
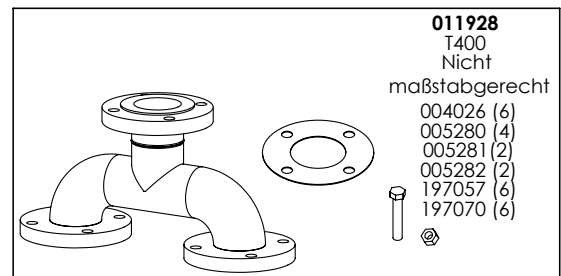
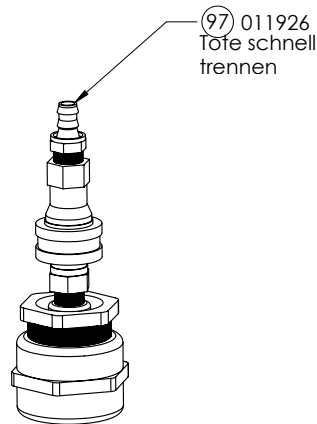
## TurboDos 100 & 200 Contents:

Dosmatic Injektor (nicht angezeigt)  
Dosierkolben  
O-ring  
Bedienungsanleitung (nicht angezeigt)  
Schlauchklemmen  
Unteres Ende Dichtung  
Seiten Einspritzschläuche  
Ansaugschlauch  
Unteres Ende Schraubenschlüssel  
Schlauchbausatz



## Additional Contents for the TurboDos 400:

Verteiler Bausatz  
Dosmatic Injektor (nicht angezeigt)  
Schraube/Mutter Satz  
Flanschdichtungen  
"Y" Bausatz - Beinhaltet  
Saugschlauch Bausatz, 1/2" "Y"  
Anschluss und 2 - 2 Fuss gelbe  
Saugschläuche  
Gelber Saugschlauch (25 Fuss)





# Technische Daten



## TurboDos 100 gpm (120 max. psi)

**Modell 1%** 0.50% - 1% (1:200 - 1:100)  
**Modell 0.5%** 0.10% - 0.50% (1:1000 - 1:200)  
**Modell 0.25%** 0.025% - 0.25% (1:4000 - 1:400)  
**Intermittierende Durchfluss:** 20 - 100 gpm (75 - 379 l/mn)  
**Kontinuierliche Durchfluss:** 20-80 gpm (75- 303 l/mn)  
**Druck:** 20 - 120 psi (1,38 - 8,3 bar)  
**Anschlüsse:** 2" flange/50 mm  
**Doppel Injektor :** Gleiches oder Mischung (2) unteren enden, die auf Basis Ihrer Injection-Anforderungen

## TurboDos 100

**Einzeln** **Doppel**

**0.5%** **114151PN** **0.5%** **114152PN**  
**1.0%** **114153PN** **1.0%** **114154PN**  
**0.25%** **114155PN** **0.25%** **114156PN**  
**1% & 0.5%** **114157PN**  
**1% & 0.25%** **114158PN**  
**0.5% & 0.25%** **114159PN**



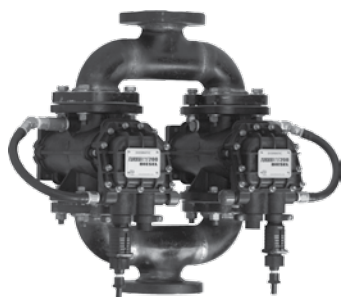
## TurboDos 200 gpm (120 max. psi)

**Modell 0.25%** 0.05% - 0.25% (1:2000 - 1:400)  
**Modell 0.5%** 0.25% - 0.5% (1:400 - 1:200)  
**Modell 0.13%** 0.050% - 0.13% (1:2000 - 1:800)  
**Intermittierende Durchfluss:** 40 - 200 gpm (151 - 757 l/mn)  
**Kontinuierliche Durchfluss:** 40 -160 gpm (151 - 606 l/mn)  
**Druck:** 30 - 120 psi (2,1 - 8,3 bar)  
**Anschlüsse:** 3" flange/76mm  
**Doppel Injektor :** Gleiches oder Mischung (2) unteren enden, die auf Basis Ihrer Injection-Anforderungen

## TurboDos 200

**Einzeln** **Doppel**

**0.25%** **114551** **0.25%** **114552**  
**0.5%** **114554** **0.5%** **114555**  
**0.13%** **114556** **0.13%** **114557**  
**0.25% & 0.5%** **114558**  
**0.13% & 0.5%** **114559**  
**0.25% & 0.13%** **114560**



## TurboDos 400 gpm (120 max. psi)

**Modell 0.25%** 0.05% - 0.25% (1:2000 - 1:400)  
**Modell 0.5%** 0.25% - 0.5% (1:400 - 1:200)  
**Modell 0.13%** 0.050% - 0.13% (1:2000 - 1:800)  
**Intermittierende Durchfluss:** 40 - 400 gpm (151 - 1514 l/mn)  
**Kontinuierliche Durchfluss:** 40 -320 gpm (151- 1211 l/mn)  
**Druck:** 30 - 120 psi (2,1 - 8,3 bar)  
**Anschlüsse:** 3" flange/76 mm  
**Doppel Injektor :** Gleiches oder Mischung (2) unteren enden, die auf Basis Ihrer Injection-Anforderungen

## TurboDos 400

**Einzeln** **Doppel**

**0.13%** **114701** **0.13%** **114705**  
**0.25%** **114703** **0.25%** **114706**  
**0.5%** **114704** **0.5%** **114707**  
**0.25% & 0.5%** **114708**  
**0.13% & 0.5%** **114709**  
**0.25% & 0.13%** **114710**

Gehäuse	Eingetragene Verbundfaserstoffe
Dosierungspräzision	+/- 10%
Wiederholbarkeit	+/-3%
Druckverlust	Auf Anfrage erhältlich
Höchsttemperatur	40°C
Mindesttemperatur	1°C
Maximale Höhe der Ansaugung	4 m
Maximale Länge der Ansaugung	15 m
Selbstansaugung	Ja
Erhältliche Dichtungen*: * Kontaktieren Sie Ihren Dosmaticvertreiber für umfangreiche Informationen über die Chemikalienbeständigkeit	Aftlas - Alkaliprodukte Viton - Pflanzliche Produkte, Öle, Säuren EPDM - Alkaliprodukte Kalrez®
Maximale Viskosität des Konzentrats	1 500 cP
Empfohlenes Zubehör	140 Mesh (104 Mikron) Filter, Kontrollventil, Druckregulierer, Durchflussbegrenzer.

# Sicherheitsmaßnahmen Garantie-Compliance



**Warnung,** Bitte lesen Sie die Maßnahmen vor der Bedienung genau durch. Muss alle geltenden örtlichen Vorschriften und Regulierungen einhalten.

## **Nehmen Sie die Roten Kappen von der Installation ab**

Ihre Dosierpumpe wird vor der Lieferung zu 100% in der Fabrik getestet und kann etwas Wasser beinhalten. Die roten Plastikkappen werden nach der Überprüfung aufgesetzt, um die Reinheit des Injektors zu versichern.

## **Bevor Sie Aggressive Chemikalien Anwenden**

Fragen Sie bitte Ihren Vertreiber, Chemikalienhersteller oder den Dosmatic Kundendienst nach der Verträglichkeit mit Ihrer Dosierpumpe.

## **Markieren Sie alle Wasserleitungen, Ventile und Anschlüsse**

Wenn die Lösung, die Sie anwenden, nicht trinkbar ist, dann sollen alle Leitungen markiert werden:

**Achtung, nicht für den menschlichen Verzehr bestimmt!**

## **Beobachten Sie den Auslassdurchfluss für Angemessenes Einspritzen**

Es ist die Verantwortung des Benutzers, die eingespritzte Chemikalienabgabe zu beobachten. Bei kritischen Anwendungen sollte eine genaue Messung gemacht werden. Wir empfehlen die 0.25% und 0.13% Einheit für eine genaue Dosierung genau zu messen. Setzen Sie den Verhältnisregulierer auf die höchste Rate und warten Sie 2 Minuten damit die Luft damit die Luft aus der Saugleitung tritt. Setzen Sie dann den Verhältnisregulierer auf die gewünschte Einstellung. Die Einheit wird diese Dosierung zu den vorgesehenen Spezifikationen wiederholen.

## **Ein Filter wird Empfohlen und ist Erforderlich**

Je nach Wasserqualität, bringen Sie ein Filter 140 Mesh (104 Mikron) oder feiner an, um das Betriebsleben des Injektors zu verlängern und damit die Garantie gültig ist. Ein Filter ist erforderlich, da die meisten Flüssigkeiten Unreinheiten oder Partikel beinhalten, besonders wenn das Wasser aus einem Brunnen, Teich oder Fluss kommt.

## **Vermeiden Sie Potentiell Gefährliche Chemikalien Unfälle**

Wählen Sie einen sicheren Ort. Chemikalienbehälter sollten von Kindern und/oder Bereichen mit viel Betrieb ferngehalten werden und der Ort darf nicht gegen Gefriertemperaturen empfindlich sein.

## **Vermeiden Sie Lösungsverschmutzung**

Benutzen Sie nur reine GEFILTERTE Flüssigkeiten. Erlauben Sie nicht, dass Fremdkörper in den Lösungsbehälter eintreten. Diese könnten in die Wasserleitung gepumpt werden und Krankheiten ausbreiten. Schmutz, Ablagerungen und andere Fremdkörper im Lösungsbehälter können exzessive Abnutzung der Einheit verursachen.

## **Flüssigkeitstemperatur**

Min: 34 °F (1 °C) Max: 100 °F (38 °C)

## **Maximaler Diesel-Druck**

120 psi (8,3 bar)

Saugen Sie die Leitung anfangs bei 30-40 psi (2.07-2.76 bar) und bei 30-40 gpm (113,6-151,4 l/mn) an. ANM: Die 0.25% & 0.13% erfordern besondere Ansaugungstechniken. Setzen Sie den Unteres Ende Regulierer auf die höchste Rate und warten Sie 2 Minuten damit die Luft aus der Leitung tritt. Wenn sie angesaugt ist, setzen Sie die Rate auf die gewünschte Einstellung. Das 5% Modell mit Außeneinspritzset hat einen maximalen Betriebsdruck von 60 psi (4 bar). Installieren Sie ein Druckregulierer und/oder ein Drucknachlassventil um zu versichern, dass der Betriebsdruck nicht das Maximum überschreitet.

## **Bevor Sie die Dosierpumpe vom System**

**Entfernen Lassen Sie den Flüssigkeitsdruck ab.** Während das System in Betrieb ist, schliessen Sie das Eingangsventil. Lassen Sie das Ausgangsventil offen um den Druck des Injektors und aller Teile des Systems nach dem Injektor abzulassen. Nun kann der Injektor sicher entfernt werden.

## **Allgemeine Empfehlungen**

**Bitte lesen Sie diese Bedienungsanleitung genau durch.**

**Die genaue Befolgung des Prozesses verlängert das Leben Ihrer Dosierpumpe.**

## **Für Langlebigkeit**

Fangen Sie mit sauberer Flüssigkeit an, indem Sie ein Linienfilter benutzen um Unreinheiten zu beseitigen. Halten Sie den Lösungsbehälter zugedeckt und sauber. Halten Sie den Ansaugschlauchfilter 2" (5 cm) vom unteren Teil des Behälters entfernt. Führen Sie die Wartung wie empfohlen durch (siehe Wartung Seite 47).

## **Flanschausrichtung**

Versichern Sie, dass die Leitungen, die neben den Flanschen laufen, in einer geraden Linienposition zu den Flanschen installiert sind um Stress zu vermeiden, der durch Ausrichtungsfehler entstehen kann. Die Leitungen müssen auch geschützt werden um seitliche Verschiebungen zu vermeiden, die zu Stress und Schäden der Flansche führen können. ANM: Flansche, Muttern und Schrauben sind nicht bei der TurboDos Einheit inbegriffen. Der empfohlene Drehmoment für 2 - 4" (51-102 mm) Flansch ist 25 Fuss - Pfund (111 Newtons).

## **Vermeiden Sie Extreme Temperaturen**

Schützen Sie den Injektor vor Gefriertemperaturen oder exzessiver Hitze.

## **Spülen Sie die Dosierpumpe nach Gebrauch**

**ab** Additive die im Injektor bleiben, können eintrocknen und das untere Ende bei der nächsten Inbetriebsetzung verschmutzen oder beschädigen (siehe Wartung Seite 47).

## **Die Dosierpumpe wird über einen Längeren Zeitraum nicht Gebraucht**

Wenn der Injektor nicht richtig aufbewahrt wurde, können sich Anlagerungen auf dem Laufrad eingetrocknet haben (siehe Wartung Seite 47). Tauchen Sie die Einheit vor dem Gebrauch für acht Stunden in Wasser von einer Raumtemperatur von c.a. 72 °F (22 °C) ein.

# Betrieb

## Brummen ist normal

Wenn Diesel durch die Dosierpumpe fließt, verursacht er automatisch ein Brummen und eine bestimmte Lösungsmenge wird in die Dieselleitung eingespritzt. Je höher die Durchflussrate, desto lauter das Brummen. Die Dosierpumpe ist dazu bestimmt, die Lösung proportional einzuspritzen (mit dem selben Verhältnis), unabhängig vom Dieseldurchfluss.

## Durchfluss

Durchfluss und Druck müssen innerhalb der bestimmten technische Daten für Ihr Modell liegen (siehe technische Daten auf Seite 41).

## Änderung der Einspritzrate

Die Einspritzrate des Injektors ist einstellbar SOGAR WENN IN BETRIEB UND UNTER DRUCK. Um die Einspritzrate zu ändern siehe (Fig. 1).

Drehen Sie den Dosierregler (#61) (Fig. 1) an der Einstelllinie (Fig. 1a) hoch oder runter um die gewünschte Dosierrate auszuwählen.

ANM: Drehen Sie den Dosierregler nicht unter die niedrigste Einstelllinie. Messen Sie die Ausgangsflüssigkeit um zu versichern, dass die gewünschte Dosierungsrate geliefert wird.

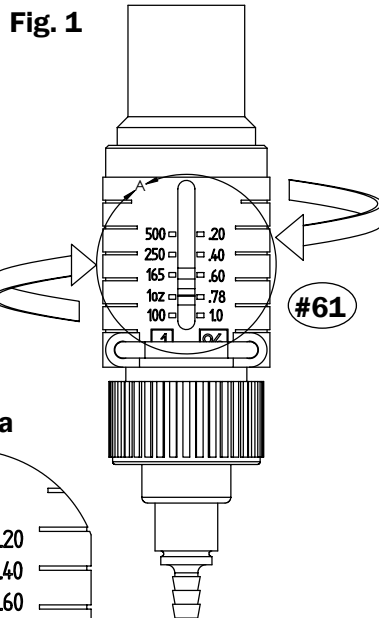
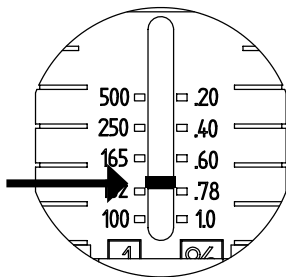


Fig. 1a



## Bypass Bedienung

Installieren Sie mit dem Drei-Ventil-Bypass, wie im Installationsdiagramm angezeigt (Abbildung 5 auf Seite 45).

Die Dosierpumpe wird normal betrieben und Diesel wird fließen, wenn das Ventil (A) geschlossen und die Ventile (B & C) offen sind. Es wird empfohlen, den Drei-Ventil-Bypass zu benutzen (siehe Abbildung 5), um die Dosierpumpe zu umgehen oder instandzuhalten.

## Flanschverbindungen

1. Die Einlassleitung mit Flansch und die Auslassleitung mit Flansch, die zu und von den TurboDos 400 Verteilerflanschen laufen müssen in einer geraden Linie installiert werden, parallel und waagrecht, um Beanspruchung durch Fehlansrichtung am Flansch zu vermeiden. Die Leitungen und TurboDos 400 müssen sichergestellt werden um Verschiebungen zu verhindern, die Beanspruchung und Schäden am Gehäuse der Dosierpumpe verursachen können.

2. Verbinden Sie den unteren Verteilerflansch mit dem Flansch der Einlassleitung. Verbinden Sie die Verteilerflanschen mit den unteren Flanschen an jeder Dosierpumpe, indem die Dichtung ordnungsgemäß angebracht wird und die Schraubenlöcher abgeglichen werden, wenn der Ring in Stellung gedreht wird.

3. Befestigen Sie alle Schrauben, Dichtringe (zwei flache standard Dichtringe per Schraube) und Muttern.

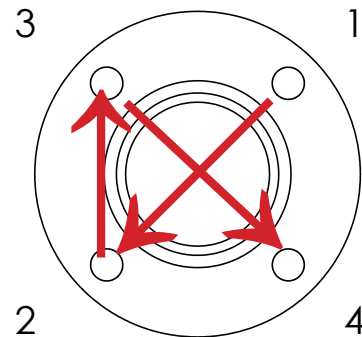
4. Versicher Sie, dass die Paarungsflächen mit den Dichtungen abgeglichen sind bevor Sie die Flanschen anschrauben.

5. Befestigen Sie die Muttern mit der Hand. Üben Sie gleichmäßigen Druck auf der Flanschfläche aus, indem Sie die Schrauben in 5 Fuss-Pfund (22 Newton) Erhöhungen in der unten angezeigten Sequenz befestigen, befolgen Sie die 180° entgegengesetzte Sequenz. Siehe Abbildung 2 (1-2-3-4)

6. Achten Sie darauf, dass der Flansch beim Zusammenfügen von einem Flansch und einem Flansch mit Dichtleiste oder einem wasserstiel Ventil nicht gebogen wird. Benutzen Sie keine Schrauben um falsch gepaarte Flanschen zusammenzubringen.

7. Schraubenanzugsmoment - von höchstens 2" - 4" (51 - 102 mm) Flansch ist 25 Fuss - Pfund (111 Newton) wird empfohlen.

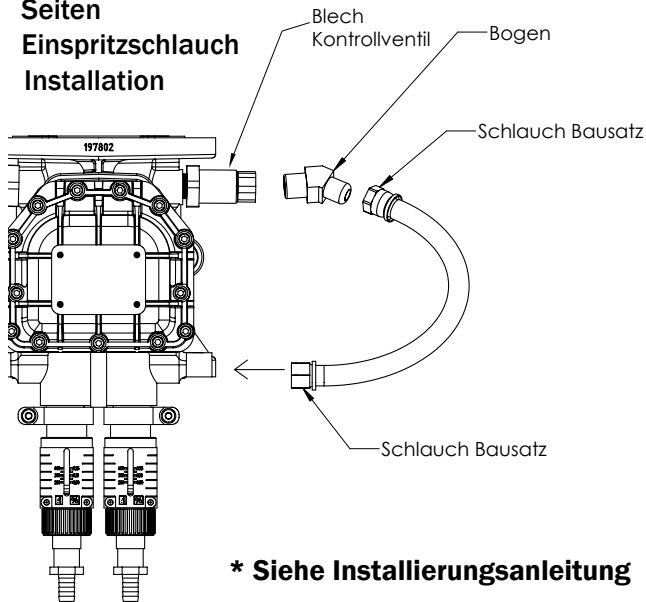
Fig. 2



# Installation und Inbetriebsetzung

Referenznummern beziehen sich auf Seite 78 - 85

**Fig. 3**  
**Seiten**  
**Einspritzschlauch**  
**Installation**



\* Siehe Installierungsanleitung

## Seiten Einspritzschlauch Installation

1. Entfernen Sie den Bogen vom Schlauch Bausatz, bringen Sie den Bogen am Blech Kontrollventil an. Benutzen Sie einen Schraubenschlüssel um das Blech Kontrollventil festzuhalten, wenn Sie den Bogen anbringen. **NICHT FESTZIEHEN**
2. Schrauben Sie die Kappe 40 ab, entfernen Sie sie vom unteren Einspritzausgang und bringen Sie den Schlauch Bausatz an.
3. Schrauben Sie den Schlauch Bausatz wieder an den Bogen des oberen Einspritzeingang an.

**Wenn die Einheit ein TurboDos 400 ist, befolgen Sie das oben Erwähnte für beide Dosierpumpen.**

## Installation Dimensions

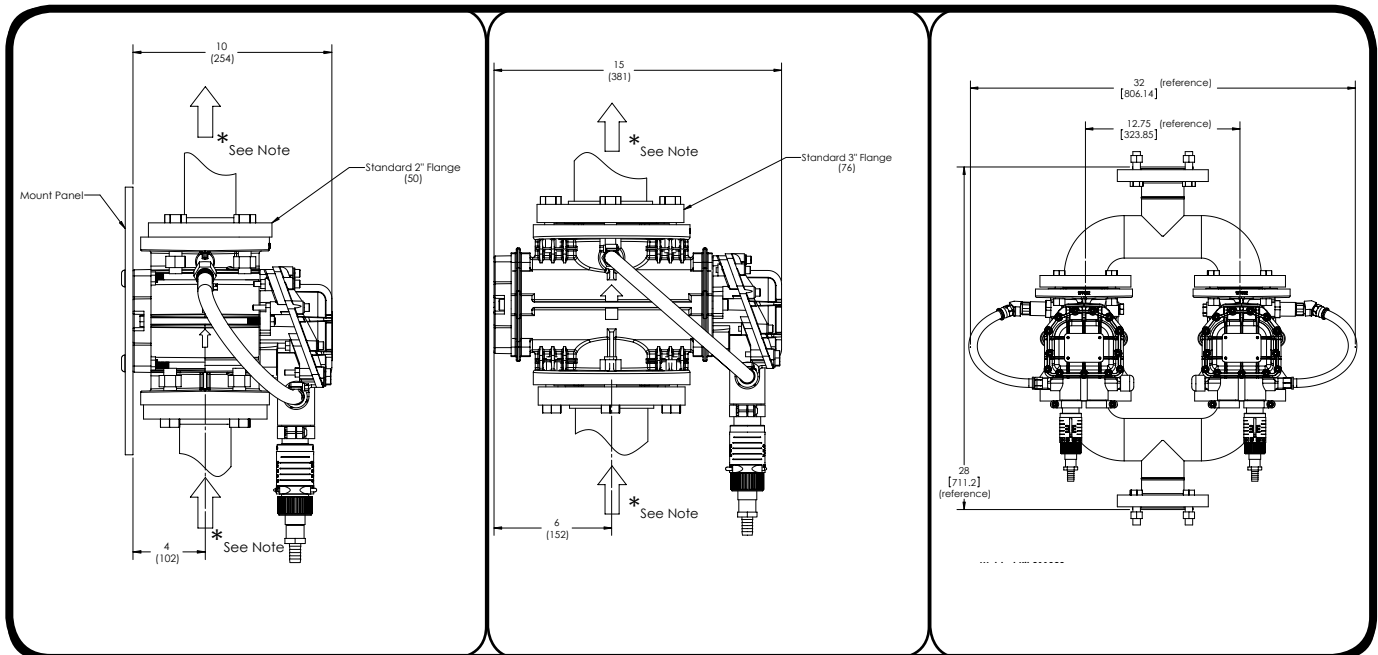
**Fig. 4**

\*Invertierte Modelle erhältlich, um die Durchflussrichtung umzukehren

**TurboDos 100**

**TurboDos 200**

**TurboDos 400**



# Installation und Inbetriebsetzung

Refer to Fig. 4 and Fig. 5

## Filter (Erforderlich)

Je nach Wasserqualität, bringen Sie ein Filter 140 Mesh (104 Mikron) oder feiner an, um das Betriebsleben des Injektors zu verlängern und damit die Garantie gültig ist. Dosmatic empfiehlt ein Twist II Clean® 2" Filter für die TurboDos 100 Modelle, der mit Ihrer Dosierpumpe bestellt werden kann.

## Aufbau der Dosierpumpe

Befestigen Sie Ihre Dosierpumpe sicher an einer soliden Struktur oder die Dosierpumpe kann freistehen, wenn die Ein- und Auslassleitungen geschützt sind. Installieren Sie direkt in eine 2" (50mm) oder 3" (76mm) Leitung. Versichern Sie, dass Sie abwechselnd jede Flansch Schraube/Mutter teilweise festziehen bevor Sie sie ganz festschrauben. Dadurch wird verhindert, dass der Dosierpumpen Flansch beschädigt wird.

## Rückschlagventil (Empfohlen)

Installieren Sie eins nach örtlichen Vorschriften.

## Druck-Sicherheitselement (Empfohlen)

Verhindert, dass der Druck die technischen Daten der Einheit überschreitet.

## Aufbau des Bypass-Ventils (Empfohlen)

Ermöglicht den Injektor nicht angeschlossen zu warten oder aufzuheben, wenn er nicht gebraucht wird.

## Flüssigkeitsschläge Ableiter (Empfohlen)

Verhindert, dass bei Anwendung von Schließmagnet, Druckluft oder Handbetriebenen Kugelventilen, Flüssigkeitsschläge den Injektor beschädigen.

## Anti-Siphon Ventil (Beliebig)

Um zu verhindern, dass die Lösung (vom Lösungsbehälter) in die Flüssigkeitsleiter tritt wenn das stromaufwärts Ventil abgeschaltet ist. Das Anti-Siphon Ventil muss auf dem Auslaufausgang installiert werden.

## Zusätzliche Siphonprävention

Stellen Sie den Lösungsbehälter unter den Saugschlauch Bausatz des Injektors. Wenn Sie die Eingangsseite als Schließventil benutzen, kann es dazu kommen, dass die Lösung in die Wasserleitung gehebert wird.

## Lösungsbehälter

Der Behälter kann von jeder Größenordnung sein. Ein Deckel wird empfohlen. Um den Lösungsbehälter anzuschließen, drücken Sie das Ende des Saugschlauchs auf den Boden des Saugschlauch Bausatzes. Setzen Sie den Filter in den Lösungsbehälter ein, mindestens 2" (5 cm) vom Boden entfernt, und füllen mit Chemikalien Lösung.

## Benutzen Sie nie Gleitmittel auf Petroleumbasis

Der Injektor wird zur einfachen Montage mit einer dünnen Silikonhülse über den Dichtungen geliefert. Gleitmittel auf Petroleumbasis, so wie Vaseline®, Babyöl, WD40® oder Motoröl auf den O-Ringen oder anderen Teilen des Injektors sollten niemals benutzt werden, da sich Partikel darauf ansetzen können und der Injektor verstopft oder beschädigt werden kann.



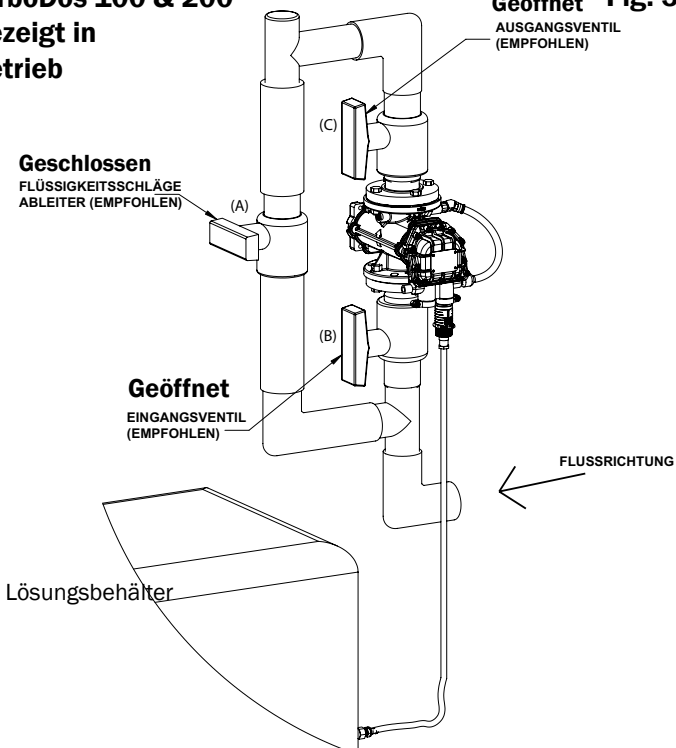
## Überprüfung von Undichtheit und Inbetriebsetzung

Öffnen Sie das Bypass Ventil (A), schließen Sie das Eingangsventil (B) und Ausgangsventil (C) um zu verhindern, dass Flüssigkeit in den Injektor läuft. Drehen Sie LANGSAM die Hauptwasserleitung auf. Dieseldurchflussraten sollten zwischen 20-40 gpm (TurboDos 100) und 40-60 gpm (TurboDos 200 & 400) sein durch das Installationssystem laufen. Schließen Sie alle Ventile flussabwärts vom Injektor um eingeschlossene Luft auszulassen. Schließen Sie LANGSAM das Eingangsventil (B) auf. Öffnen Sie das Ausgangsventil (C) und schließen Sie das Bypass Ventil (A). Wenn die Flüssigkeit durch den Injektor läuft, werden Sie ein „Brummen“ hören. Überprüfen Sie undichte Stellen und korrigieren Sie wenn nötig.

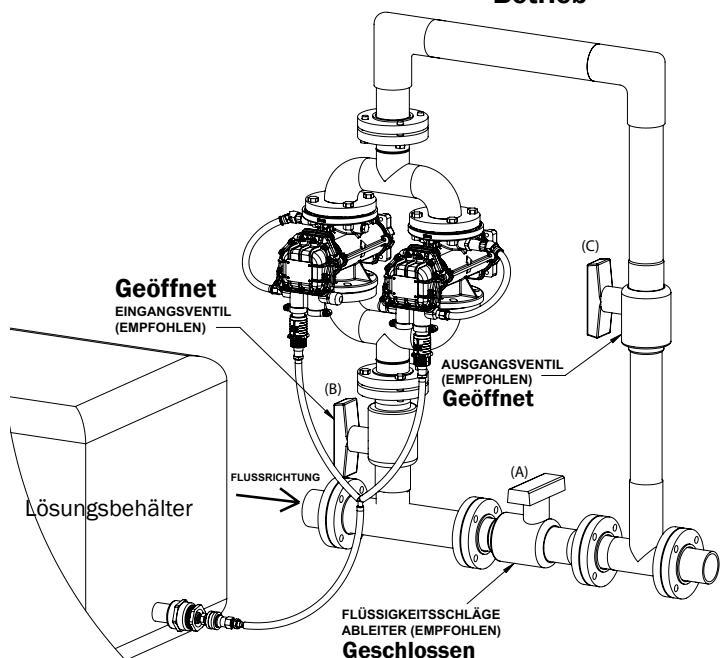
Deutsch

## Empfohlenes Installationsdiagramm

TurboDos 100 & 200  
Gezeigt in  
Betrieb



TurboDos 400  
Gezeigt in  
Betrieb



# TurboDos 400 Installationsanleitung

Um Ihr Dosmatic System richtig zu installieren, empfehlen wir sehr, die folgenden Installationsschritte durchzuführen. Diese Information kann je nach Ihren spezifischen Konditionen variieren. Siehe Figur 5 Seite 45 für das komplette Installationsdiagramm.



1. Angefangen beim Kraftstoff Haltenocken, wählen Sie eine Fläche, die groß genug ist, um den TD400 mit einem Drei-Ventil-Bypass zu installieren.



2. Je nach verfügbarem Platz, kürzen Sie die Leitung, so dass sie lang genug ist, um die Ts an jeder Seite der Leitung anzuschweißen und die Flanschen zum An/Aus Ventil in der Mitte des Schnitts.



3. Bringen Sie Ihr TurboDos 400 immer über dem Füllstand Ihres Chemikalien-/ Additivreservoirs an. Eine Verlängerungsleitung kann an den Flansch hinzugefügt werden, wie hier angezeigt, um sie genau zu platzieren.



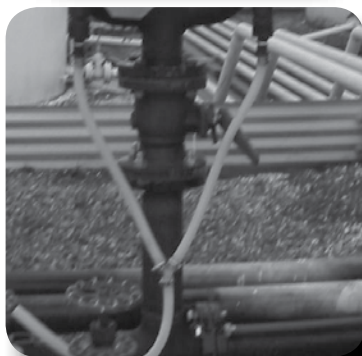
4. Bringen Sie jede Dosierpumpe an den unteren Verteiler an, indem Sie die Schrauben und Dichtungen für den Verteiler benutzen (siehe Schraubensequenz und Drehspezifikationen).



5. Befestigen Sie die obere Hälfte des Verteilers mit den gelieferten Schrauben und Dichtungen (siehe Schraubensequenz und Drehspezifikationen auf der nächsten Seite).



6. Verbinden Sie den oberen Verteiler, um die Drei-Ventil-Bypass Installation wie empfohlen abzuschließen.



7. In der Schachtel mit den zwei Dosierpumpen finden Sie den "Y" Bausatz mit Saugschlauch Bausatz, 2 - 2 Fuss gelben Saugschläuchen, Schlauchklemmen und "Y" Anschluss. Entfernen Sie den O-Ring von den Bindungen, setzen Sie ihn in den Saugschlauch Bausatz ein und schrauben Sie ihn auf die unteren Enden von jeder Dosierpumpe.

8. Nachdem der "Y" Bausatz an jede Dosierpumpe angebracht wurde, können Sie den langen gelben Saugschlauch an den "Y" Verteiler anbringen und mit der Schlauchklemme befestigen. Nun können Sie mit dem Inbetriebsetzungsablauf in der Bedienungsanleitung beginnen.

# Wartung

Referenznummern beziehen sich auf Seite 78 - 85

## Reinigen sie den lösungsbehälter

Halten Sie den Behälter bedeckt, damit kein Schmutz, Fliegen, Federn oder Sonstiges eindringen. Spülen Sie den Behälter gut und oft aus. Mischen Sie keine Chemikalien, die reagieren und Ablagerungen verursachen können. Füllen Sie den Behälter mit GEFILTERTEM Wasser.

## Reinigen sie den ansaugschlauchfilter

Überprüfen Sie ihn bei jeder neuen Lösung. Reinigen Sie den Filter (#27) und den Ansaugschlauch (#25) mit frischem Wasser wenn nötig. Ersetzen Sie ihn wenn erforderlich. Halten Sie den Filter vom Boden des Behälters entfernt um zu verhindern, dass Schmutz und Ablagerungen ihn verstopfen.

## Reinigen sie den eingangsfILTER

Reinigen oder ersetzen Sie den EingangsfILTER wenn erforderlich, um das Betriebsleben der Einheit zu verlängern und Druckverlust zu vermeiden.

## Bypass dosierpumpe

Wenn Sie den Injektor nicht gebrauchen, stellen Sie Ihn mit dem Drei Ventil Bypass.

## Lagerung

Für längere Lagerung spülen Sie den Injektor ab (siehe „Spülen Sie den Injektor nach Gebrauch ab“) und lagern Sie ihn unter Wasser in einem Behälter. Wenden Sie jeden Monat <0.1 oz. (30 ml) Chlorbleiche an um Algen zu bekämpfen. **VERHINDERN SIE GEFRIEREN.**

## Folgen Sie diesen Wartungsanweisungen um die Langlebigkeit Ihrer Pumpe zu optimieren.

Wenden Sie sich an Seite 79 - 81

TurboDos 100 (0.5%, 1% & 0.25%) Modells

Alle 3-6 Monate	Alle 6-12 Monate	Ersetzen Sie wenn erforderlich
<ol style="list-style-type: none"><li>1. Reinigen Sie die Dichtungen (#14) oder (#51 - 0.25%).</li><li>2. Überprüfen Sie den reinigen Sie und/oder ersetzen Sie den Zylinder (#37) wenn erforderlich</li></ol>	<ol style="list-style-type: none"><li>1. Ersetzen Sie O-Ring (#14) und Dosierkolben (#44).</li><li>2. Reinigen und/oder ersetzen Sie Tellerventil (#13), saugschlauch Bausatz (#11).</li></ol>	<ol style="list-style-type: none"><li>1. Zylinder (#37)</li><li>2. O-Ring (#14)</li><li>3. Dosierkolben (#44) oder (#51 - 0.25%)</li></ol>

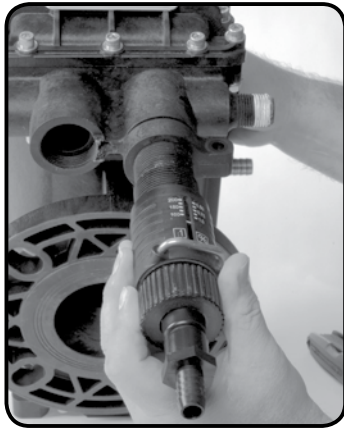
Wenden Sie sich an Seite 83 - 85

TurboDos 200/400 (0.25%, 0.5% & 0.13%) Modells

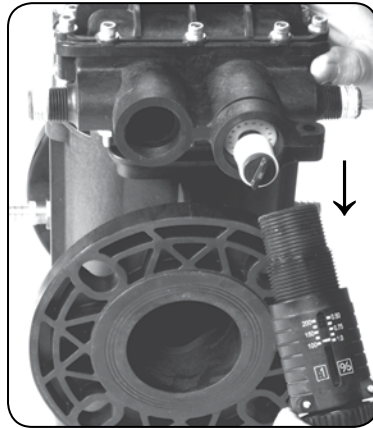
Alle 3-6 Monate	Alle 6-12 Monate	Ersetzen Sie wenn erforderlich
<ol style="list-style-type: none"><li>1. Reinigen Sie die Dichtungen (#14 oder #51 - 0.13%).</li><li>2. Überprüfen Sie den reinigen Sie und/oder ersetzen Sie den Zylinder (#37) wenn erforderlich</li></ol>	<ol style="list-style-type: none"><li>1. Ersetzen Sie Dosierkolben (#44 oder #51 0.13%).</li><li>2. Reinigen und/oder ersetzen Sie Tellerventil (#13), saugschlauch Bausatz (#11).</li></ol>	<ol style="list-style-type: none"><li>1. Zylinder (#37)</li><li>2. O-Ring (#14)</li><li>3. Schaft und Dosierkolben (#44 &amp; #51).</li></ol>

Deutsch

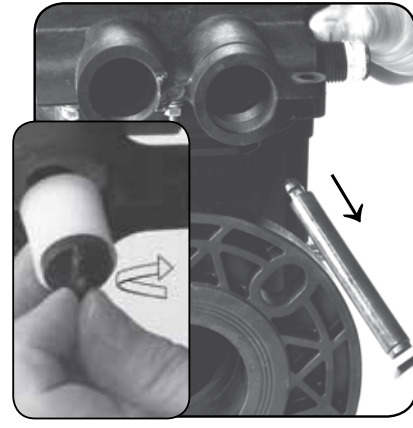
# Routine-Wartungsanleitung



**Schritt 1.**  
Schrauben Sie den  
UNTERES ENDE  
ZYLINDER BAUSATZ  
vom Körper ab.



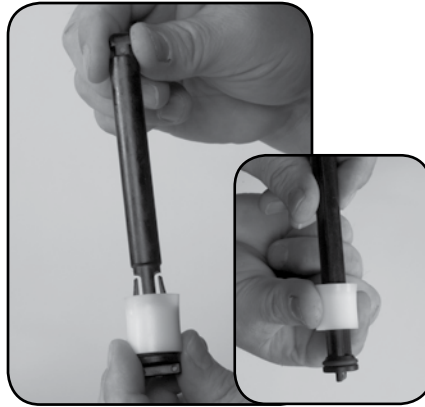
**Schritt 2.**  
Entfernen Sie den UNTERES  
ENDE ZYLINDER BAUSATZ.



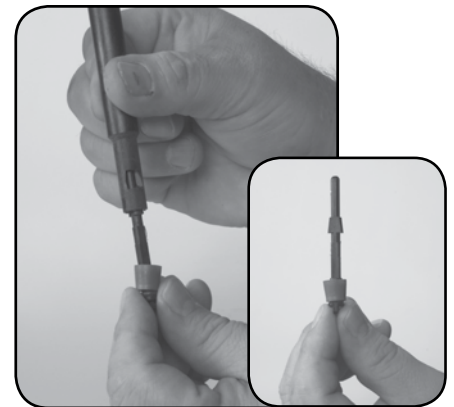
**Schritt 3.**  
Drehen Sie den SCHAFT #51 90°  
und ziehen Sie ihn vom Körper ab.



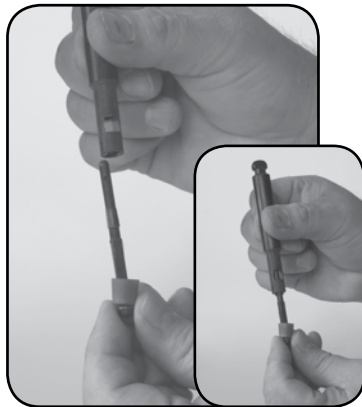
**Schritt 4.**  
Drücken Sie die Stifte und  
entfernen Sie den Dosierkolben.



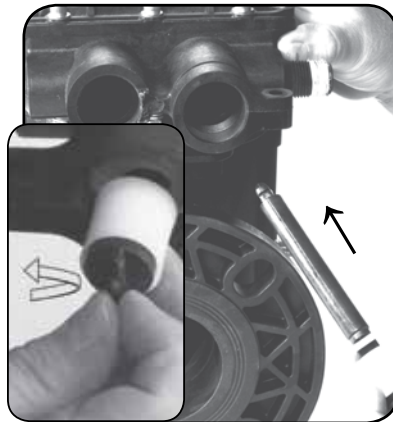
**Schritt 5.**  
Ersetzen Sie den DOSIERKOLBEN  
#44 erweitertes Ende aufwärts und  
#14 O-ring.



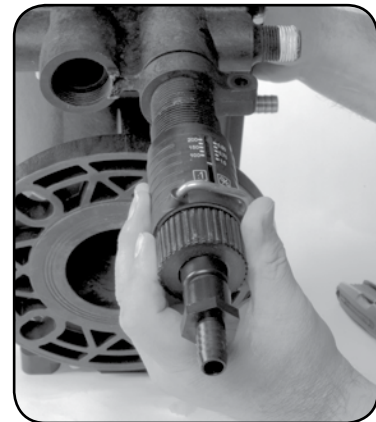
**Schritt 5a für TD100 - 0.25%, 0.5%  
& TD200 0.25%)** Entfernen Sie den  
UNTEREN SCHAFT Bausatz #51 und  
ersetzen Sie den DOSIERKOLBEN #44  
und den O-Ring #14.



**Schritt 5 für (TD200 0.13%)**  
Entfernen und ersetzen Sie den  
UNTEREN SCHAFT Bausatz #51.



**Schritt 6.**  
Setzen Sie den SCHAFT BAUSATZ  
#51 wieder in den Körper ein und  
drehen Sie ihn 90° bis er festsetzt.  
Versichern Sie, dass der Schaft  
festsetzt indem Sie ihn leicht rütteln.  
Der Schaft sollte eingesetzt bleiben.



**Schritt 7.**  
Schrauben Sie den UNTERES  
ENDE ZYLINDER BAUSATZ in den  
Körper ein. Versichern Sie, dass  
der Dichtring auf dem oberen Teil  
des Zylinder Bausatzes festsetzt.



# Problemlösung

**Neue Installation – Erhöhen Sie den Druck immer langsam (Folgen Sie der Inbetriebsetzung auf Seite 45)**

Problem	Ursache	Lösung
<b>Kein „Rumpeln“ ist hörbar</b>	Das Wasser fließt durch das System.	Die Durchflussrate ist unter oder über der Nennströmung des Injektors. (Siehe technische Daten Seite 41). Wenn drunter, erhöhen Sie die Durchflussrate. Wenn drüber, mindern Sie die Durchflussrate.  Wenn der Betriebsdruck nicht den Spezifikationen entspricht, muss er entsprechend angepasst werden (Siehe technische Daten Seite 41).  Three ventill Bypass Ventil (A) nicht geschlossen. Überprüfen Sie und setzen Sie das Ventil auf Geschlossen.

## Dosierpumpe in Betrieb oder nach planmäßiger Wartung

Problem	Ursache	Lösung
<b>Lösung wird nicht angesaugt</b>	Ansaugschlauch (#25) oder Saugschlauch Bausatz (#11) brüchig, undicht oder verstopfter Saugschlauch Filter	Ersetzen Sie ihn und/oder reinigen Sie ihn wenn nötig.
	Dosierkolben (#44) abgenutzt oder nicht richtig installiert.	Ersetzen Sie ihn oder versichern Sie sich, dass der Dosierkolben während der Wartung erweitertes Ende aufwärts installiert wurde.
	O-Ring (#14) oder Dosierkolben (#44) beschädigt	Ersetzen Sie ihn
	Ventil (#13) undicht	Reinigen Sie es und ersetzen Sie es wenn nötig.
	Schaft nicht angeschlossen	Entfernen Sie das Untere Ende und überprüfen Sie, dass die Schäfte angeschlossen sind.

Problem	Ursache	Lösung
<b>Unter Einspritzen Kein Klickendes Geräusch</b>	Dosierkolben (#44) abgenutzt	Ersetzen Sie ihn.
	Innerer Zylinder (#7) (#37 - 0.5%) abgenutzt	Ersetzen Sie ihn.
	Einheit arbeitet mit hohem Durchfluss und nicht mit niedrigem Durchfluss	Versichern Sie, dass Sie die minimalen Durchflussbedingungen haben. Ersetzen Sie den Hebel (die muss in der Fabrik gemacht werden).

Problem	Ursache	Lösung
<b>Flüssigkeit Auffüllen Lösungsbehälter</b>	Überprüfen Sie poppet(#13) auf Undichtheit	Überprüfen Sie die Sitzfläche des Saugschlauch Bausatz (#11). Kontrollventil und Dichtung müssen lose in den Saugschlauch Bausatz passen. Reinigen Sie die Dichtung und das Innere des Bausatzes.
	Dichtung (#13) ist angeschwollen oder chemisch angegriffen.	Ersetzen Sie sie oder installieren Sie ein Überprüfen Sie poppet.

# Garantie



## Wir gratulieren Ihnen zu diesem Kauf

Dosmatic steht für die besten und zuverlässigsten, wasserbetriebenen Injektoren und bietet Ihnen dafür die beste Garantie, die es auf dem Markt gibt. Dosmatic bietet Ersatz für alle Teile an, die Material- und Produktionsfehler erweisen, für die folgenden Zeiträume ab Erwerb beim Originalvertreiber:

3 Jahre	Stützschale, Körperteil, Intermediär und Gehäuse
2 Jahre	Antriebsräder und Kurbelarm Bauteile
1 Jahr	Untere Teile (Voraussetzung normale Gebrauch der Teile)

Die Dosmatic Produkte garantieren frei von Material- und Herstellungsfehlern in den oben genannten Zeiträumen zu sein. Dosmatic wird nach eigener Wahl jedes Teil, dass im normalen Gebrauch Fehler aufweist, reparieren oder ersetzen. Die Garantiereparaturen werden nicht über die anfänglichen Garantiezeiten erweitert.

## Um Ihre Garantie zu erhalten

Ihre einzige Pflicht ist normale Wartung – einlaufende Flüssigkeiten und Lösungen zu filtern, O-Ringe und Dosierungskolben zu ersetzen. Dichtungen und O-Ringe werden nicht gedeckt.

Die Garantie deckt nicht Defekte durch Missbrauch, fehlende Wartung, Wasserverunreinigungen, wie bei Sand und Eisenpartikeln, fehlerhafte Installation, Gefrieren, Flüssigkeit oder Flüssigkeitsschlag, Schäden durch Missbrauch, Übermaß oder Folgeschäden von Einspritzung der Chemikalien oder Service von jedem nicht autorisierten Dienstleister. Dosmatic übernimmt keinerlei Haftung wenn das Produkt nicht gemäß der Bedienungsanleitung und den Technischen Angaben in diesem Handbuch gebraucht wird.

Die Garantie wird ungültig wenn der Körper auseinandergenommen wird. Wenn sie glauben, dass es ein Problem beim Zusammenbau des Laufrad oder im Inneren der Körpers gibt, wenden Sie sich bitte an Dosmatic oder an ein zugelassenes Reparaturdienst um den Injektor für seine Auswertung oder Reparatur einzusenden.

UNTER KEINEN UMSTÄNDEN HAFTET DOSMATIC FÜR AUßERORDENTLICHE, BESONDERE, INDIREKTE ODER FOLGESCHÄDEN DURCH GEBRAUCH, MISSBRAUCH ODER UNFÄHIGKEIT DIESES PRODUKT ZU GEBRAUCHEN ODER DURCH PRODUKTFEHLER.

Es besteht keinerlei Haftung auf Produkte, die in Zusammenhang mit Dosmatic eingesetzt werden oder wurden.

Dosmatic oder zugelassene Vertreiber haften nicht für Außerordentlich- und Folgeschäden, wie wirtschaftliche Einbußen. Dosmatic bewahrt das Alleinrecht auf Reparatur oder Ersatz des Produktes. Dieses Rechtsmittel ist Ihr alleiniges und ausschließliches Rechtsmittel für jegliche Garantieverletzung. Es existieren keine weiteren Garantieverpflichtungen, außer der hier oben Beschriebenen.

## Produktrückgabe für Garantie- oder Nichtgarantiereparaturen:

Siehe Seite 2 für Dosmatic Land Kontaktinformation.

1. Bereinigen Sie die Einheit mit Wasser von jeglichen Chemikalien. Packen Sie die Einheit gut ein, um sie von Lieferschäden zu schützen.
2. Um Garantie- oder Nichtgarantiereparaturen oder Auswertung zu BESCHLEUNIGEN, fügen Sie bitte Folgendes bei: ein Kopie der Originalrechnung, die Seriennummer der Einheit, benutzte Chemikalie, Kontaktinformation und Rückautorisierungsnummer (RA), kontaktieren Sie Ihren Kundendienst um sie zu erhalten.
3. Senden sie die freigemachte Fracht an Dosmatic oder Ihren Vertreiber. Für Ihren Vertreiber oder um an Dosmatic zurückzusenden, kontaktieren Sie Ihren Dosmatic Kundendienst.
4. Für Garantiereparaturen: nach Inspektion und Feststellung der Produktions- oder Herstellungsfehler wird die Reparatur oder der Ersatz der Einheit nach Diskretion von Dosmatic gemacht, und ohne Kosten zurückgeschickt.
5. Für Nichtgarantiereparaturen: nach Inspektion wird Dosmatic oder ein Vertreiber Sie mit einem Kostenvoranschlag anrufen.

## Índice

Principio Operativo .....	52
Contenido de la caja .....	53
Características Técnicas .....	54
Precauciones de Seguridad .....	55
Consejos Generales .....	55
Instrucciones de Operación .....	56
Instalación y Puesta en Marcha .....	57
Instalación Dimensions .....	57
Instalación y Puesta en Marcha .....	58
Diagrama de Instalación Sugerida .....	58
TurboDos 400 Installation Instructions .....	59
Mantenimiento .....	60
Instrucciones para Mantenimiento de Rutina .....	61
Localización y Solución de Problemas .....	62
Garantía .....	63

### **Por favor, lea el manual con atención, antes de poner en funcionamiento su dosificador Dosmatic.**

En este manual encontrará la información sobre el uso y cuidado de su nuevo dosificador Dosmatic. Si tiene alguna pregunta sobre el dosificador, la garantía, mantenimiento de rutina o uso apropiado, por favor, comuníquese con el distribuidor más cercano o con atención al cliente de Dosmatic.

Los modelos fueron diseñados para dosificar aditivos de diesel recomendados y aprobados para ser inyectados en sistemas de fluidos.

Es responsabilidad del usuario determinar el porcentaje de dosificación de la unidad acorde a la recomendación del fabricante del químico para inyectar su producto, así como la comprobación periódica de que la concentración deseada es mantenida en el tiempo.

### **Mantenimiento y Garantía**

Dosmatic brinda una garantía limitada de tres años, contados a partir de la fecha original de compra, que cubre sólo defectos en el material y la fabricación. El uso y cuidado apropiados de su equipo permitirá una vida útil duradera. Lea los términos completos de la garantía en la página 63.

#### **Para su archivo**

El N° de serie de su dosificador Dosmatic está ubicado en el cuerpo de la unidad. Por favor, escriba el N° en el espacio provisto y haga referencia a él si se comunica con su distribuidor o Dosmatic para obtener información, repuestos y reparaciones.

N° de serie.....

Fecha de compra.. ..

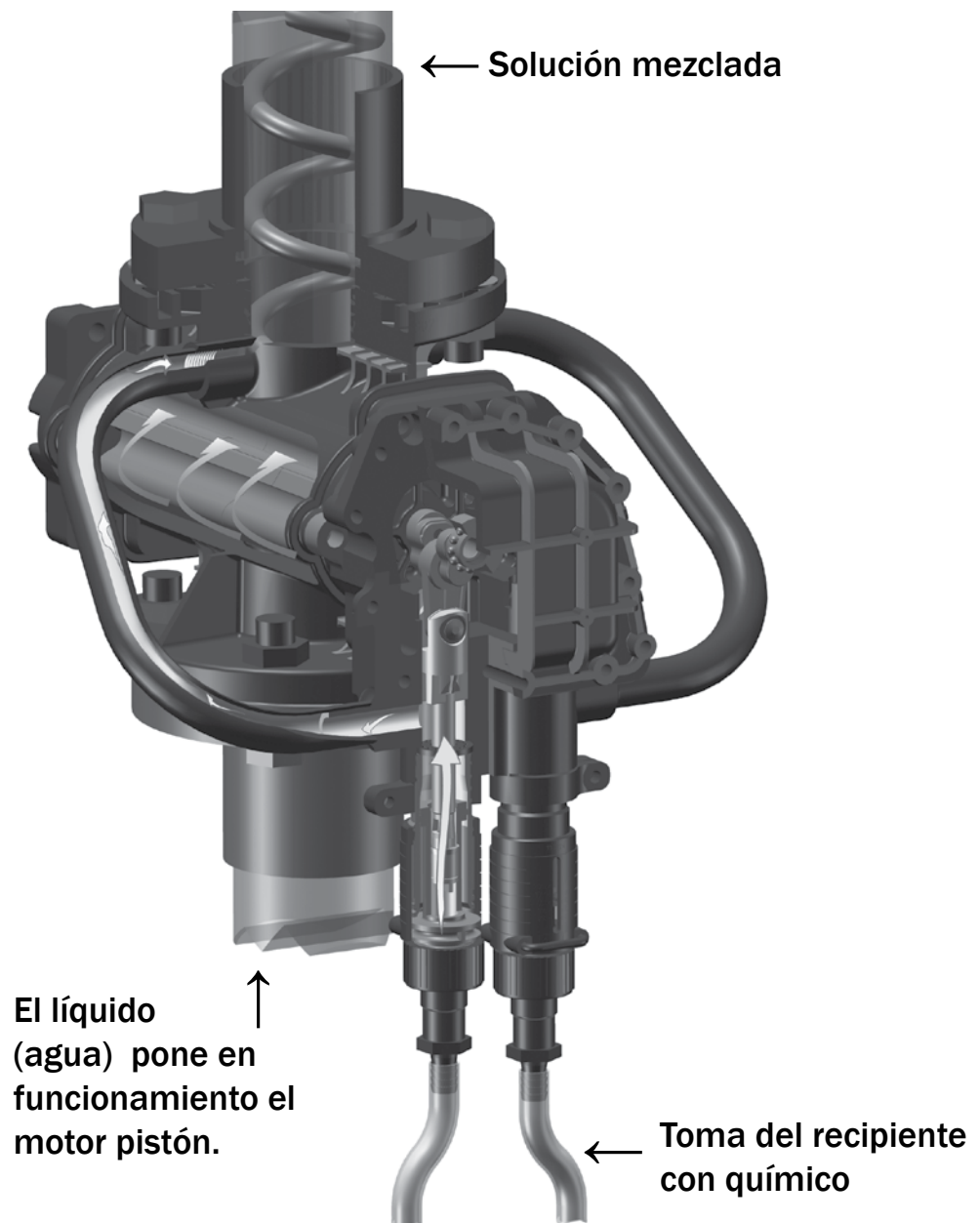
**Importante:**  
**¡Complete el formulario  
de registro de productos  
en nuestro sitio en Internet  
[www.dosmatic.com](http://www.dosmatic.com)!**

Este documento no constituye documento contractual por parte de Dosmatic y es sólo a título informativo. Dosmatic se reserva el derecho de modificar las especificaciones y apariencia del producto sin notificación previa.

# Principio Operativo

## Preciso y Confiable

Instalado directamente en la línea de agua, el dosificador funciona sin electricidad, utilizando la presión del caudal como fuente de energía. El líquido pone en funcionamiento el sistema de rotores de polímero con escobillas de elastómero patentado. Los rotores accionan una biela manivela apoyado en un rodamiento con un mecanismo recíproco de succión (pistón dosificador). Éste succiona el porcentaje (conjunto dosificador) de solución directamente del tanque al dosificador. La cantidad de solución inyectada será directamente proporcional al volumen de líquido que ingresa al dosificador, independientemente de las variaciones de caudal y presión.



# Contenido de la caja

Junto con el dosificador podrá encontrar los siguientes componentes:

**Dosmatic USA**  
Certificación ISO 9001:2008 SGC

## TurboDos 100 y 200 contenido:

Dosificador Dosmatic (no representado)

Pistón dosificador

O-ring

Manual (no representado)

Llave para conjunto dosificador

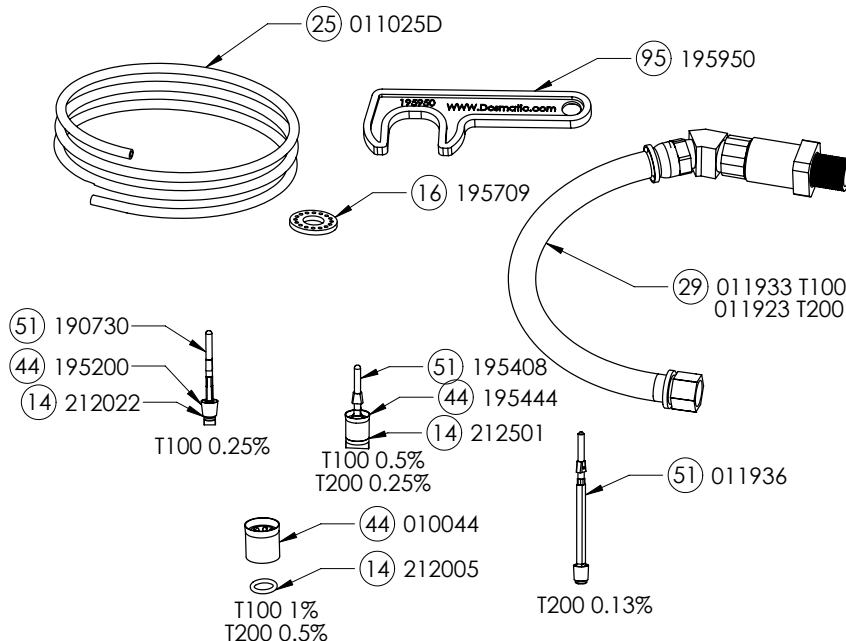
Junta para conjunto dosificador

Mangueras de inyección lateral

Conjunto de manguera

Manguera para succión

Pinzas para manguera



## Contenidos adicionales para la TurboDos 400:

Conjuntos de múltiple

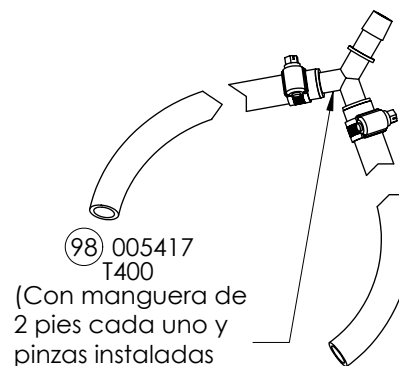
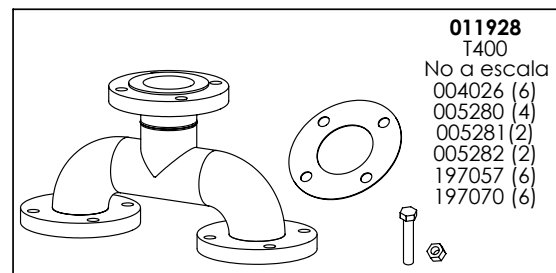
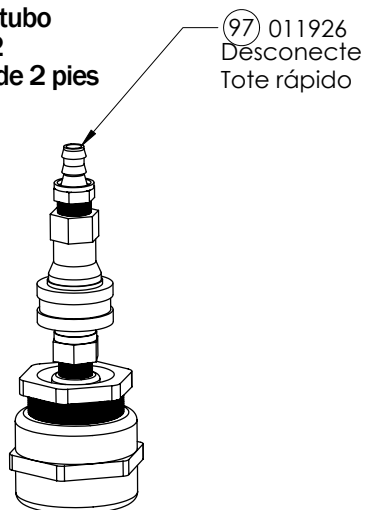
Dosificador Dosmatic (no representado)

Set de perno/tuerca

Juntas de brida

“Conjunto “Y” – Incluye conjunto de tubo para succión, espiga “Y” de 1/2” y 2 mangueras para succión amarillas de 2 pies

Manguera para succión amarilla (25 pies)



# Características Técnicas



## TurboDos 100 gpm (120 psi máx.)

**Modelo** 1% 0.50% - 1% (1:200 - 1:100)

**Modelo** 0.5% 0.10% - 0.50% (1:1000 - 1:200)

**Modelo** 0.25% 0.025% - 0.25% (1:4000 - 1:400)

**Intermitente Caudal de trabajo:** 20 - 100 gpm (75 - 379 l/mn)

**Continua Caudal de trabajo:** 20-80 gpm (75- 303 l/mn)

**Presión operativa:** 20 - 120 psi (1,38 - 8,3 bar)

**Conexión:** 2" flange/50 mm

**Inyección dual:** mezclar o coincide con los extremos inferiores (2) base en sus necesidades de inyección.

## TurboDos 100

	Solo	Dual
<b>0.5%</b>	<b>114151PN</b>	<b>0.5% 114152PN</b>
<b>1.0%</b>	<b>114153PN</b>	<b>1.0% 114154PN</b>
<b>0.25%</b>	<b>114155PN</b>	<b>0.25% 114156PN</b>
		<b>1% &amp; 0.5% 114157PN</b>
		<b>1% &amp; 0.25% 114158PN</b>
		<b>0.5% &amp; 0.25% 114159PN</b>



## TurboDos 200 gpm (120 psi máx.)

**Modelo** 0.25% 0.05% - 0.25% (1:2000 - 1:400)

**Modelo** 0.5% 0.25% - 0.5% (1:400 - 1:200)

**Modelo** 0.13% 0.050% - 0.13% (1:2000 - 1:800)

**Intermitente Caudal de trabajo:** 40-200 gpm (151- 757 l/mn)

**Continua Caudal de trabajo:** 40-160 gpm (151- 606 l/mn)

**Presión operativa:** 30 - 120 psi (2,1 - 8,3 bar)

**Conexión:** 3" flange/76 mm

**Inyección dual:** mezclar o coincide con los extremos inferiores (2) base en sus necesidades de inyección.

## TurboDos 200

	Solo	Dual
<b>0.25%</b>	<b>114551</b>	<b>0.25% 114552</b>
<b>0.5%</b>	<b>114554</b>	<b>0.5% 114555</b>
<b>0.13%</b>	<b>114556</b>	<b>0.13% 114557</b>
		<b>0.25% &amp; 0.5% 114558</b>
		<b>0.13% &amp; 0.5% 114559</b>
		<b>0.25% &amp; 0.13% 114560</b>



## TurboDos 400 gpm (120 psi máx.)

**Modelo** 0.25% 0.05% - 0.25% (1:2000 - 1:400)

**Modelo** 0.5% 0.25% - 0.5% (1:400 - 1:200)

**Modelo** 0.13% 0.050% - 0.13% (1:2000 - 1:800)

**Intermitente Caudal de trabajo:** 40-400 gpm (151- 1514 l/mn)

**Continua Caudal de trabajo:** 40-320 gpm (151- 1211 l/mn)

**Presión operativa:** 30 - 120 psi (2,1 - 8,3 bar)

**Conexión:** 3" flange/76 mm

**Inyección dual:** mezclar o coincide con los extremos inferiores (2) base en sus necesidades de inyección.

## TurboDos 400

	Solo	Dual
<b>0.13%</b>	<b>114701</b>	<b>0.13% 114705</b>
<b>0.25%</b>	<b>114703</b>	<b>0.25% 114706</b>
<b>0.5%</b>	<b>114704</b>	<b>0.5% 114707</b>
		<b>0.25% &amp; 0.5% 114708</b>
		<b>0.13% &amp; 0.5% 114709</b>
		<b>0.25% &amp; 0.13% 114710</b>

Carcasa	Materiales especiales patentados
Precisión de la dosificación	+/- 10% del porcentaje de dosificación
Capacidad de repetición	+/-3%
Pérdida de presión	Disponible a pedido
Temperatura máxima	38°C
Temperatura mínima	1°C
Máxima succión vertical del concentrado	4 mts
Máxima succión horizontal del concentrado	15 mts
Autocebante	Sí
Material de sellos disponibles: *Contáctese con su representante Dosmatic para mayor información sobre los productos químicos.	Aflas- ácido concentrado Viton - ácidos, aceites y pesticidas EPDM - químicos de base Kalrez®
Viscosidad máxima	1,500 cP (Ejemplo miel)
Accesorios recomendados	filtro de +140 mesh, válvula de retención, regulador de presión, restrictor de caudal.

# Precauciones de Seguridad



**Advertencia, Lea las precauciones en su totalidad antes de poner en funcionamiento, por favor. Debe respetar todas las normativas locales pertinentes.**

## Quite los tapones rojos antes de la instalación

Cada modelo es 100% probado en fábrica antes del envío y puede contener una pequeña cantidad de agua. Los tapones rojos son colocados luego de la prueba para asegurar la higiene del dosificador.

## Antes de utilizar químicos agresivos

Póngase en contacto con su distribuidor, fabricante del químico o con atención al cliente de Dosmatic para confirmar la compatibilidad química con el dosificador.

## Señale las tuberías, válvulas y conexiones

Si el químico inyectado torna el agua no apta para el consumo, todas las tuberías deben llevar un distintivo como el que sigue:

**¡ATENCIÓN: AGUA NO APTA PARA CONSUMO HUMANO!**

## Controle el caudal aguas abajo

Es responsabilidad del usuario controlar la salida del químico inyectado. Para aplicaciones críticas debe realizarse una medición exacta. Recomendamos hacer mediciones exactas de la unidad 0.25% y 0.13% para asegurar una dosificación exacta. Configure el regulador de dosificación al máximo y espere 2 minutos para que salga el aire de la tubería de succión. Una vez cebado, configure el regulador de dosificación de la manera deseada. La unidad repetirá esta dosificación conforme a las especificaciones proporcionadas.

## Filtro recomendado y obligatorio

Instale un filtro de 140 mesh (104 micrones) o más fino dependiendo de la calidad del líquido en su sistema en la entrada de su dosificador para prolongar la vida útil de su dosificador y para asegurar la validez de su garantía. Un filtro es imperativo ya que la mayoría de los fluidos tienen

impurezas o partículas especialmente si la fuente es un pozo, estanque o lago.

## Evite un potencial accidente con químicos peligrosos

Elija un lugar seguro. El tanque debe estar fuera del alcance de los niños y de zonas de tránsito frecuente. No debe ser expuesto a temperaturas de congelamiento.

## Evite la contaminación de la solución

Utilice únicamente agua limpia FILTRADA. No permita que agentes contaminantes ingresen al tanque de la solución, ya que éstos serían bombeados a la tubería de líquido y podrían provocar la propagación de enfermedades. Suciedad, desechos y otros contaminantes en el tanque de solución también podrían provocar un desgaste excesivo.

## Temperatura del Diesel

Mín.: 34 °F (1 °C) Máx.: 100 °F (38 °C)

## Presión máxima del líquido

120 psi (8,3 bar)

Inicialmente ceba las tuberías a 30-40 psi (2.07-2.76 bar) y a 30-40 gpm (113,6-151,4 l/mn). NOTA: Las unidades 0.25% y 0.13% requieren técnicas especiales de cebado. Configure el regulador del conjunto dosificador al mínimo y espere 2 minutos para que salga el aire de la tubería. Una vez cebado, configure la dosificación de la manera deseada. Instale un regulador de presión y/o válvula de descompresión para asegurar que la presión operativa no exceda la máxima especificada.

## Antes de quitar el dosificador del sistema

Descomprima la línea de líquido. Cuando el sistema está en funcionamiento, cierre la válvula de entrada. Deje la válvula aguas abajo abierta para despresurizar el dosificador y todas las partes del sistema aguas abajo. Así, será seguro desinstalar el dosificador.

## Consejos Generales

**Dedique un momento para leer este manual de instrucciones en su totalidad. Siga sus instrucciones ya que ayudarán a prolongar la vida útil de su dosificador.**

### Para una vida útil prolongada

Comience con líquidos o fluidos limpios utilizando un filtro en línea para reducir la presencia de impurezas. Mantenga el contenedor con la solución química cubierto y limpio. Siempre deje el filtro en el contenedor con la solución como mínimo a 5 cm (2") del fondo del contenedor. Asimismo, realice las tareas de mantenimiento recomendadas. (Lea "Mantenimiento" en pág. 60).

### Alineación de la brida

Asegure que la tubería vaya unida a la brida y esté instalada en posición de línea recta para evitar tensión en la brida debido a desalineaciones. La tubería también debe estar asegurada y soportada para prevenir movimientos laterales que pueden crear tensión y daños a la brida. NOTA: Brida, tuercas y pernos no están incluidas en su unidad TurboDos. El torque de perno recomendado para una brida de 2 - 4" (51-102 mm) es de 25 pies - libras (1.11 néwtones). Vea la página 38 para orden de instalación de perno de brida.

### Evite exponer su Dosmatic a temperaturas extremas

Proteja el dosificador de temperaturas de congelamiento o calor excesivo.

### Enjuague el dosificador después de cada uso

Si queda solución en el interior del dosificador, ésta se puede secar y dañar el cilindro dosificador cuando se ponga en marcha nuevamente. (Lea "Mantenimiento" en la pág. 60).

### Dosificador sin uso por un tiempo prolongado

Si su dosificador no ha sido almacenado apropiadamente, es posible que los depósitos se hayan secado dentro del rotores. (Lea "Mantenimiento" en la pág. 60). Antes de ponerlo en funcionamiento, sumerja toda la unidad en agua, colóquela en un lugar a una temperatura de aproximadamente 22°C (72°F) durante 8 horas.

# Instrucciones de Operación

## El sonido de redoble es normal

El caudal del diesel hará que el dosificador emita un sonido de redoble y que inyecte la dosis establecida de solución en la línea de diesel. A mayor caudal, más fuerte será el sonido. El dosificador fue diseñado para inyectar proporcionalmente la solución (al mismo porcentaje de dosificación) independientemente del caudal.

## Caudal de operación

El caudal y la presión del líquido no deben exceder aquellos especificados para su modelo (Lea "Características técnicas" en pág. 54).

## Ajuste de la dosificación

La dosificación en la unidad es regulable INCLUSO CUANDO ESTÁ EN FUNCIONAMIENTO Y BAJO PRESIÓN. Para ajustar la dosificación, consulte Fig. 1.

Drehen Sie den Dosierregler (#61) (Fig. 1) an der Einstellunslinie (Fig. 1a) hoch oder runter um die gewünschte Dosierrate auszuwählen.

Nota: No desenrosque la camisa de regulación de dosificación por debajo de la escala de dosificación. Compruebe la solución final aguas abajo para asegurarse de que el porcentaje correcto es dosificado.

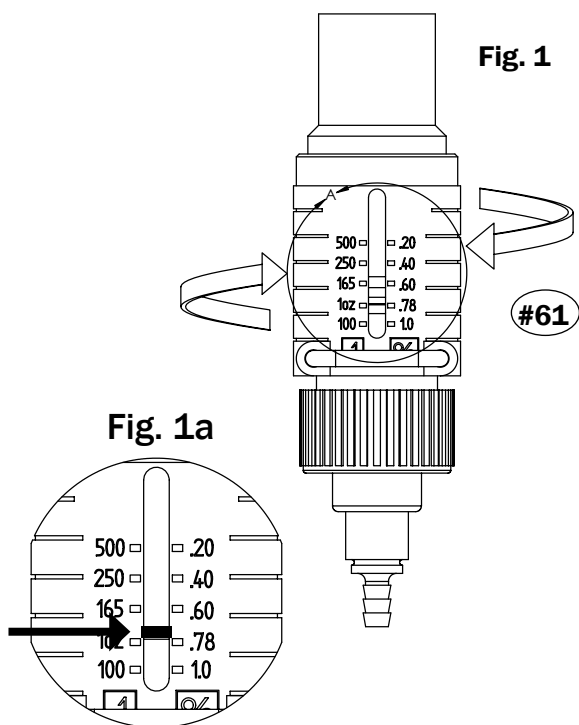


Fig. 1

Fig. 1a

## Interruptor Bypass

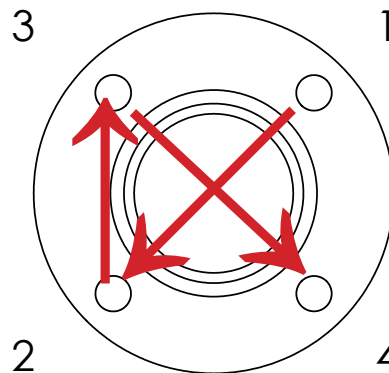
Instale usando el bypass de tres válvulas como muestra el diagrama de instalación (Fig. 5 en pág. 58).

En la posición válvula (A) cerrada y las válvulas (B & C), el dosificador operará normalmente y emitirá nuevamente "clics" cuando el líquido ingrese al dosificador. Se recomienda utilizar una instalación en disposición de tres válvulas (Consulte Fig. 5) para derivar el agua o realizar mantenimiento.

## Conexión de bridas

1. Tubería de entrada con brida y tubería de salida con brida va hacia y desde TurboDos 400 bridas de múltiple deben instalarse en posición de línea recta, en paralelo y niveladas para evitar tensión en las bridas debido a desalineación. La tubería y el TurboDos 400 deben estar asegurados y sustentados para prevenir el movimiento lateral que creará tensión y daños a la carcasa del dosificador.
2. Una la brida de múltiple inferior con a la brida en la tubería de entrada. Una las bridas de múltiple con las bridas inferiores en cada dosificador colocando la junta adecuadamente, alineando los agujeros para los pernos en las bridas correspondientes girando el anillo hacia su posición.
3. Inserte todos los pernos, arandelas (dos arandelas planas estándar por perno) y las tuercas.
4. Asegure que las caras de las superficies de contacto estén a ras de la junta antes de atornillar las bridas.
5. Ajuste las tuercas a mano sin apretar al máximo. Presione la cara de la brida uniformemente apretando los pernos en incrementos de 5 pies-libra (22 newtones) de acuerdo con la secuencia mostrada abajo siguiendo la secuencia opuesta de 180°. Vea figura 2 (1-2-3-4).
6. Tenga cuidado para no "doblar" la brida cuando junte la brida con una brida de "cara resaltada" o una válvula tipo agua. No use los pernos para juntar bridas no correspondientes.
7. Torque del perno - el torque del perno máximo recomendado para una brida de 2" - 4" (51 - 102 mm) es de 25 pies-libra (111 newtones).

Fig. 2



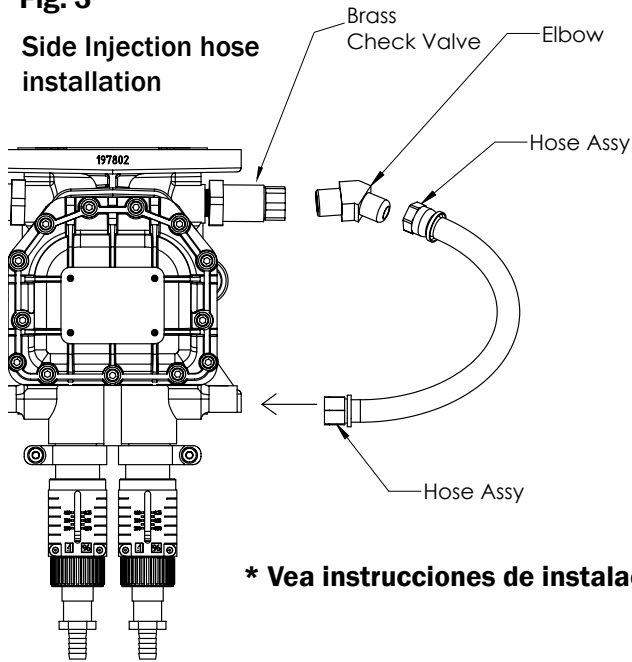


# Instalación y Puesta en Marcha

Referencias en págs. 78 - 85

**Fig. 3**

## Side Injection hose installation



\* Vea instrucciones de instalación

## Instalación de manguera de dosificación lateral

1. Separe el codo del conjunto de manguera, ajuste el codo a la válvula de retención de latón. Cuando ajuste el codo, use la llave para sujetar la válvula de retención de latón para mantener la instalación de fábrica. **NO APRIETE.**
2. Desatornille el casquillo 40 y separe del conjunto de salida de dosificación y sujete al conjunto de manguera.
3. Atornille el conjunto de manguera nuevamente al codo en el lado superior de la entrada de dosificación.

**Si la unidad es doble, repita para otro lado.**

**Si la unidad es un TurboDos 400 siga los pasos anteriores para ambos dosificadores**

**Fig. 4**

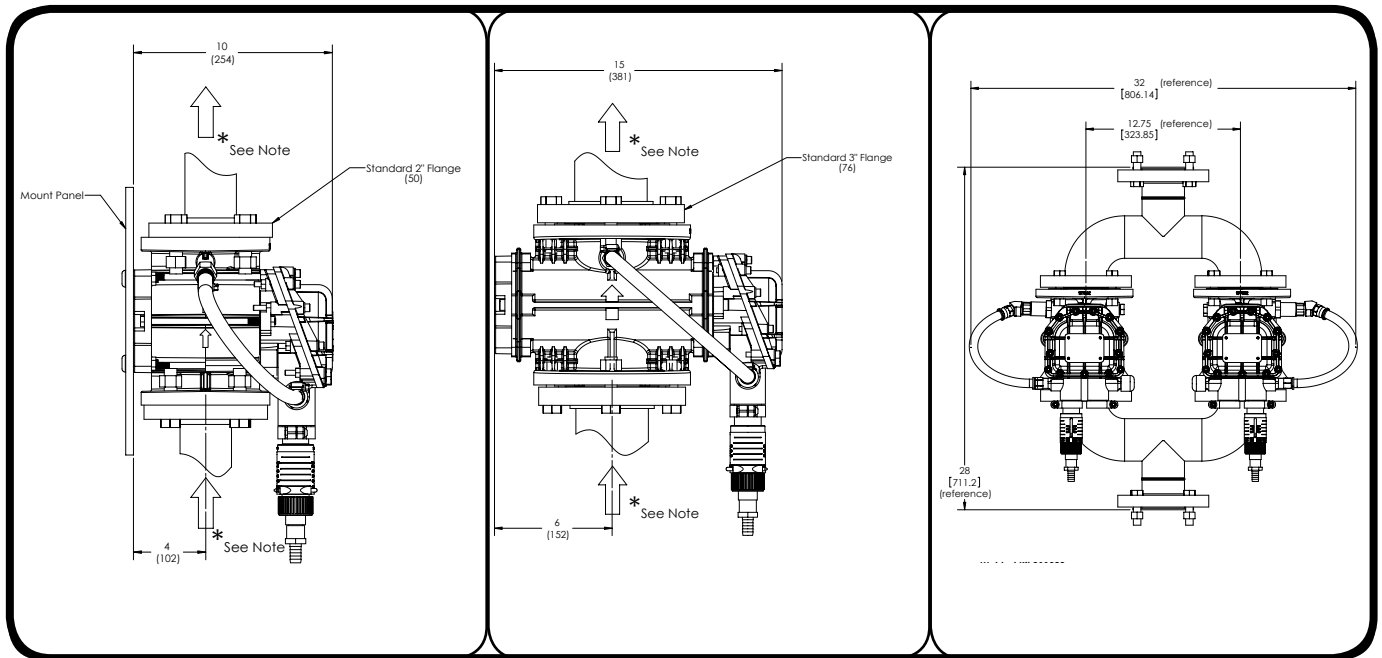
## Instalación Dimensiones

\* Modelos invertidos disponibles para invertir la dirección del caudal

**TurboDos 100**

**TurboDos 200**

**TurboDos 400**



**Español**

# Instalación y Puesta en Marcha

Consulte Fig. 4 y Fig. 5

## Filtro para líquidos (Obligatorio)

Instale un filtro de 140 mesh (104 micrones) o menor dependiendo de la calidad del líquido en su sistema en la entrada de su dosificador para prolongar su vida útil y para la validez de su garantía. Dosmatic recomienda un filtro Twist II Clean® 2" para los modelos TurboDos 100 que se puede pedir con su dosificador.

## Montaje del dosificador

Sujete su dosificador de forma segura a una estructura sólida o el dosificador puede sostenerse de forma independiente si las tuberías de entrada/salida están sustentadas. Instale directamente en una tubería de 2" (50mm) o 3" (76mm), dependiendo del modelo. Asegure que cada perno/tuerca de brida esté fijado parcialmente alternativamente antes de ajustar completamente. Esto prevendrá daños a la brida del dosificador.

## Válvula anti-retorno (recomendado)

Instale una válvula que cumpla las normativas locales.

## Regulador de presión (recomendado)

Previene que la presión exceda las especificaciones técnicas de la unidad.

## Disposición de válvulas - bypass (recomendado)

Permite que el dosificador pueda ser removido del sistema para tareas de mantenimiento o almacenamiento cuando no está en funcionamiento.

## Dispositivo para golpe de ariete (recomendado)

Previene el daño por golpe de ariete, si se está operando con válvulas solenoides, válvulas neumáticas de cerrado rápido o incluso si se está operando con válvulas de bola manuales en su sistema de agua.

## Válvula anti-sifón (opcional)

Para evitar que el químico concentrado (del tanque) sea expulsado a la fuente cuando la válvula de aguas arriba está cerrada. La válvula anti-sifón debe instalarse en la cañería aguas abajo de la unidad.

## Prevención adicional de efecto sifón

Coloque el tanque con la solución concentrada por debajo de la boquilla para manguera para succión del dosificador. Si utiliza la válvula de entrada como una válvula de corte, puede causar que el producto concentrado sea expulsado en la línea aguas arriba.

## Tanque de solución

Puede utilizar un tanque de cualquier tamaño. Se recomienda utilizar uno que cuente con una tapa. Para instalar el tanque de solución inserte cuidadosamente la manguera para solución en la boquilla para manguera. Coloque el filtro en el tanque de la solución dejando como mínimo 5 cm (2") de producto químico. Vea que el filtro esté cubierto por al menos 5 cm (2") de solución química.

## Nunca utilice lubricantes derivados de petróleo

Recibirá el dosificador Dosmatic con una capa fina de silicona en torno a las juntas colocadas para facilitar el ensamblaje. Nunca utilice en los o-rings o en cualquier parte del dosificador lubricantes derivados del petróleo como vaselina, aceite de bebé, WD 40®, aceite de motor, etc. porque pueden hacer que las partículas se adhieran y obstaculicen o dañen el dosificador.



## Revisión de pérdidas en el sistema y puesta en marcha

Abra la válvula bypass (A), cierre la válvula de entrada (B) y la válvula de salida (C), para que el líquido no ingrese al dosificador. Abra LENTAMENTE la tubería principal. Deje que el caudal corra entre 11 a 45 lpm (5 -12 gpm) en el sistema de tuberías. Abra todas las válvulas situadas aguas abajo del dosificador para expulsar aire que haya quedado atrapado. Abra LENTAMENTE la válvula en la conexión de entrada del dosificador (B). Abra la válvula (C) a la salida del dosificador. Cierre la válvula (A). El líquido circulará libremente a través del dosificador, oirá "clicks". Observe si existe alguna pérdida y haga las correcciones necesarias.

# Diagrama de Instalación Sugerida

TurboDos 100 & 200

Shown in Operation

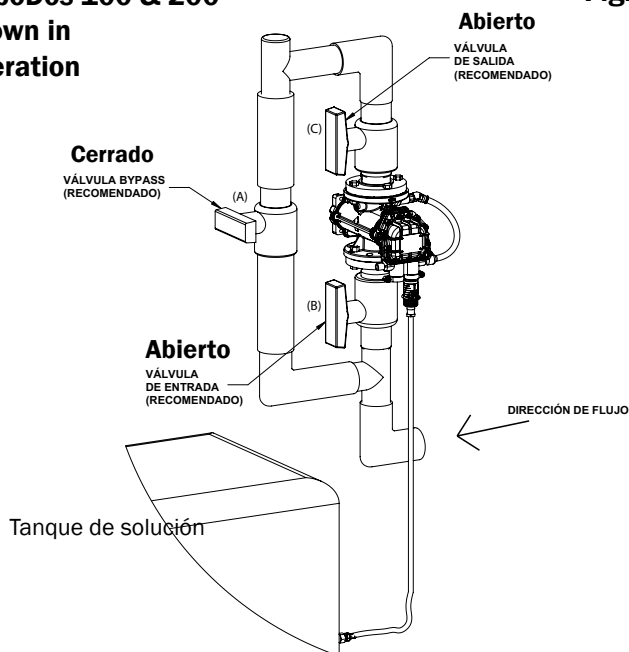
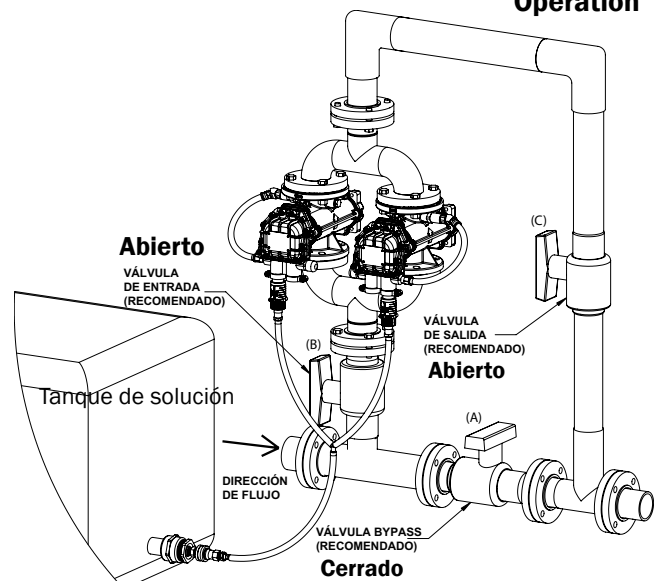


Fig. 5

TurboDos 400

Shown in Operation

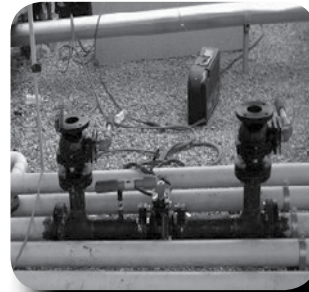


# Instrucciones de instalación del TurboDos 400

Para la correcta instalación de su sistema de Dosmatic, se recomienda encarecidamente que realizar los siguientes pasos de instalación. Esta información puede variar en función de sus condiciones específicas. Véase Fig. 5 PG. 58 para el diagrama de instalación completa.



1. Desde la leva de fijación del combustible, elija un área suficientemente grande para instalar el TD400 con un bypass de 3 válvulas.



2. Dependiendo del espacio disponible, corte la tubería para que sea lo suficientemente larga para soldar una T en cada lado de la tubería y juntar las bridas a la válvula encendido/apagado en el centro del corte.



3. Siempre monte su TurboDos 400 sobre el nivel de su reserva de químico/aditivo. Una tubería de extensión se puede añadir a la brida de soporte como se muestra aquí para asegurar la colocación adecuada.



4. Monte cada dosificador en el múltiple inferior usando los pernos y las juntas proporcionados (vea secuencia de perno y especificaciones de torque).



5. Asegure la parte superior del múltiple usando los pernos y las juntas proporcionados (vea secuencia de perno y especificaciones de torque en la página siguiente).



6. Continúe con la conexión del múltiple superior para completar la instalación de bypass de 3 válvulas como se recomienda.



7. En la caja con los dos dosificadores encontrará el conjunto "Y" que incluye conjunto de tubo para succión, 2 mangueras para succión amarillas de 2 pies, pinzas de manguera y espiga "Y". Quite el o-ring del seguro y colóquelo dentro del conjunto de tubo para succión y atorníllelo al conjunto de cada dosificador.

8. Después de unir cada conjunto "Y" con cada dosificador estará listo para conectar la larga manguera para succión amarilla a la espiga "Y" y fijarla con la pinza de manguera. Ahora puede empezar con los procedimientos de arranque que se encuentran en el manual de operación.

# Mantenimiento

Referencias en págs. 78 a 85

## Limpie el tanque con la solución

Manténgalo cubierto para evitar que tierra, insectos, plumas y agentes contaminante ingresen al tanque. Enjuague el tanque frecuentemente y por completo. No mezcle soluciones químicas que pueden reaccionar generando precipitaciones. Utilice únicamente AGUA FILTRADA cuando llene el tanque.

## Limpie la malla de filtro de solución

Compruebe el estado cada vez que utilice una nueva solución. Limpie el filtro (N°27) y la manguera (N°25) tan seguido como sea necesario con agua limpia. Reemplácelos, si fuese necesario. No permita que el filtro toque el fondo del tanque con la solución para evitar que se obstruya con depósitos o precipitados.

## Limpie el filtro de entrada

Límpielo o reemplácelo cuando sea necesario con el fin de prolongar la vida de su dosificador y disminuir la pérdida de carga.

## Dosificador en bypass

Cuando el dosificador no esté en marcha, colóquelo en modo bypass con el sistema de disposición en 3 válvulas.

## Almacenamiento

Para almacenamiento prolongado, enjuague el dosificador con agua fresca (Lea "Enjuague el dosificador después de cada uso") y sumerja la unidad y las piezas en un recipiente con agua. Una vez por mes, aplique una pequeña cantidad, 29 ml (<0.1 oz.), de lavandina para evitar el desarrollo de algas. EVITE LA EXPOSICIÓN A TEMPERATURAS BAJO CERO.

## Realice tareas de mantenimiento para prolongar la vida útil del dosificador.

Consulte las páginas 79 y 81

Modelo TurboDos 100 (0.5%, 1% & 0.25%)

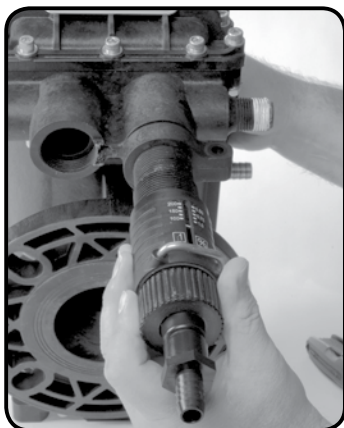
Cada 3 - 6 meses	Cada 6 - 12 meses	Reemplace cuando fuese necesario
<ol style="list-style-type: none"><li>1. Limpie el asiento de las juntas (N°14) o (N° 51 - 0.25%).</li><li>2. Revise el o-ring (N°17).</li><li>3. Revise, limpie y, si fuese preciso, cambie el cilindro (N°37).</li></ol>	<ol style="list-style-type: none"><li>1. Cambie el O-ring (N°14) y el pistón dosificador (N°44).</li><li>2. Limpie y/o cambie la válvula de retención (N°13).</li><li>3. Verifique la boquilla de manguera para succión (N°11).</li></ol>	<ol style="list-style-type: none"><li>1. Cilindro (N°37)</li><li>2. O-ring (N°14)</li><li>3. Pistón dosificador (N°44) o (N° 51 - 0.25%).</li></ol>

Consulte las páginas 83 y 85

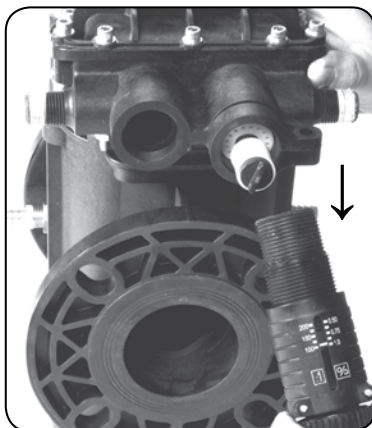
Modelos TurboDos 200/400 (0.25%, 0.5% & 0.13%)

Cada 3 - 6 meses	Cada 6 - 12 meses	Reemplace cuando fuese necesario
<ol style="list-style-type: none"><li>1. Limpie el asiento de las juntas (N° 14 o N° 51 - 0.13%).</li><li>2. Verifique o-ring (N°17) y cilindro (N°37).</li><li>3. Revise, limpie y, si fuese preciso, cambie el cilindro (N°7)</li></ol>	<ol style="list-style-type: none"><li>1. Cambie pistón dosificador (N°44) o (N° 51 - 0.13%).</li><li>2. Limpie y/o cambie la válvula de retención (N°13).</li><li>3. Verifique la boquilla de manguera para succión (N°11).</li></ol>	<ol style="list-style-type: none"><li>1. Cilindro (N°37)</li><li>2. O-ring (N°14)</li><li>3. Conjunto de eje y pistón dosificador (N°44 &amp; N° 51).</li></ol>

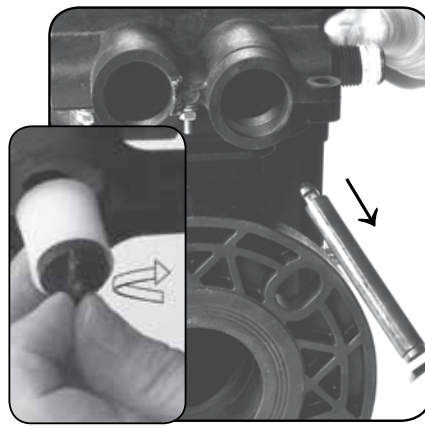
# Instrucciones para Mantenimiento de Rutina



**Paso 1.**  
Desenrosque el CILINDRO DEL CONJUNTO DOSIFICADOR del cuerpo.



**Paso 2.**  
Extraiga el CILINDRO DEL CONJUNTO DOSIFICADOR,



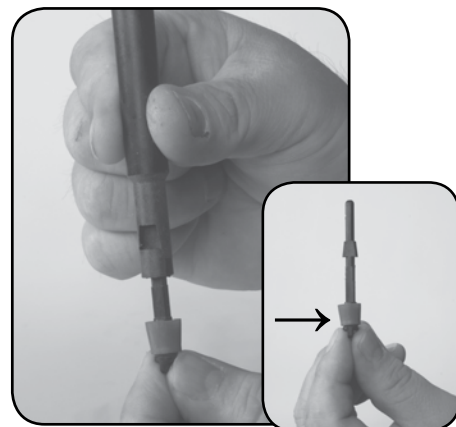
**Paso 3.**  
Gire el EJE #52 90° y sáquelo del cuerpo.



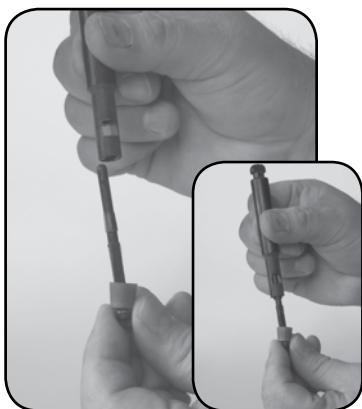
**Paso 4 para (1% & 0.5%)**  
Apriete las pestañas y extraiga el pistón dosificador.



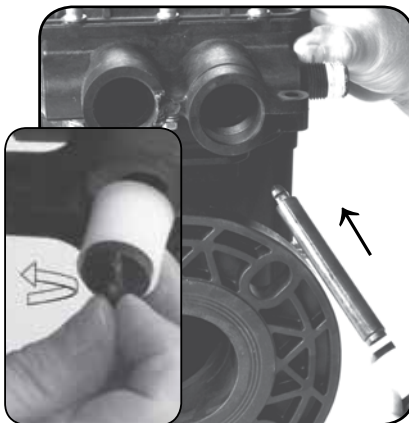
**Paso 4a para (TD100 - 1% & TD200 - 0.5%)**  
Reemplace el PISTÓN DOSIFICADOR #44 con el extremo acampanado hacia arriba y el O-ring #14.



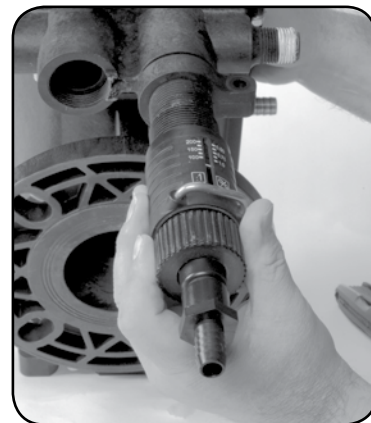
**Paso 5 para (TD100 - 0.25%, 0.5% & TD200 0.25%)** Extraiga el EJE DEL CONJUNTO DOSIFICADOR #51 y reemplace el PISTÓN DOSIFICADOR #44 y el O-ring #14.



**Paso 5a para (TD200 0.13%)** Extraiga y reemplace el EJE DEL CONJUNTO DOSIFICADOR #51.



**Paso 6.**  
Vuelva a insertar el CONJUNTO DEL EJE #52 en el cuerpo y gire 90° para fijarlo. Inserte el CONJUNTO DEL EJE SUPERIOR #51 para TD100 0.5%, 0.25% y TD200 0.25% & 0.13%. Confirme que el eje esté fijado tirando ligeramente del eje. El eje debería permanecer insertado.



**Paso 7.**  
Enrosque el CILINDRO DEL CONJUNTO DOSIFICADOR en el cuerpo. Asegure que la junta #16 esté fijada en la parte superior del conjunto del cilindro.

# Localización y Solución de Problemas

Nueva instalación – siempre incremente la presión en el sistema lentamente (siga las “instrucciones para la puesta en marcha” en la pág. 58)

Problema	Causa	Solución
<b>No Emite Sonido De “redoble”</b>	El líquido fluye por la sistema	¿El caudal es mayor o menor al especificado para el modelo? (Consulte las “características técnicas” pág. 54). Si el caudal es inferior al caudal indicado, increméntelo, Si el caudal es superior al caudal indicado, disminúyalo Si la presión operativa no cumple con las especificaciones, ajuste la presión como corresponde. (Consulte las “características técnicas” pág. 54). Válvula bypass (A) no cerrada. Verifique y coloque la válvula en posición OFF.

## Dosificador en operación o luego del mantenimiento programado

Problema	Causa	Solución
<b>Sin Succión De Solución</b>	Manguera para succión N°25 o boquilla para manguera N°11 quebradas o presentan pérdidas o filtro para solución obstruido.	Reemplace y/o limpie, si fuese necesario.
	Pistón dosificador N°44 desgastado o instalado incorrectamente	Reemplácelo o asegúrese durante el mantenimiento de rutina de que el pistón dosificador N°44 (0.3% - N°51) esté instalado con el extremo ancho con borde fino hacia arriba.
	O-ring N°14 o pistón dosificador N°44 dañado	Reemplácelo.
	Válvula de retención a resorte N°13 presenta pérdidas:	Límpiala o reemplácela de ser necesario.
	Eje desconectado	Extraiga el conjunto dosificador y verifique los ejes y asegure que estén conectados

Problema	Causa	Solución
<b>No Inyecta Lo Suficiente</b>	Pistón dosificador gastado N°44	Reemplácelo.
	Cilindro interno (N°7) (N°37 - 0.5%) desgastado	Reemplácelo.
	La unidad funciona a caudales altos y no a caudales bajos	Asegure que tenga los requerimientos de caudal mínimos. Reemplace los limpiadores (esto se debe hacer en la fábrica).

Problema	Causa	Solución
<b>Fluido desborda al tanque con la solución</b>	Válvula de retención N°13 con pérdidas	Verifique el asiento de la junta en la boquilla de la manguera N°11. La válvula de retención y la junta deben encajar sin oposición en el interior de la boquilla. Limpie la junta y dentro de la boquilla.
	Sello en la pieza N°13 se deformó o sufrió ataque químico	Reemplace con una válvula de retención nueva.

# Garantía



## Felicitaciones Por Su Compra

Fabricamos los mejores y más confiables dosificadores hidráulicos disponibles. Nuestra garantía ofrece la mejor cobertura del sector. Dosmatic sustituirá todas las piezas en caso de probarse defecto en el material o la fabricación a partir de la fecha de compra según se detalla a continuación:

3 años	La compuerta posterior, el cuerpo, el intermedio y la cubierta
2 años	Los rotores y el conjunto de brazo de biela
1 año	El conjunto dosificador (salvo piezas de desgaste normal)

Los productos Dosmatic están garantizados contra posibles defectos de material o de mano de obra por los periodos mencionados anteriormente. Dosmatic, a su total discreción, reparará o reemplazará todo componente que falle en condiciones normales de uso. Toda reparación realizada bajo garantía no extenderá el periodo de garantía inicial.

## Para conservar la cobertura

Su única responsabilidad es el mantenimiento normal de la unidad (filtración del agua entrante y reemplazo de o-rings y pistones dosificadores desgastados). Las juntas y o-rings no están cubiertos por la garantía.

La presente garantía no será válida si se encuentran defectos debido al uso indebido, falta de mantenimiento, impurezas en el líquido como son, arena y hierro, instalación incorrecta,

congelamiento, golpe de ariete, abuso, efectos colaterales no deseados producidos por incompatibilidad química del producto que usted eligió dosificar o servicios brindados por terceros no autorizados para dicha tarea. Dosmatic rechaza toda responsabilidad si el producto no es utilizado en cumplimiento con las instrucciones de operación y especificaciones indicadas por el presente manual de instrucciones.

La cobertura de la garantía podría anularse, si el cuerpo del dosificador es desmontado. Si Ud. cree tener algún problema en el rotores o en el interior del cuerpo, por favor, comuníquese con Dosmatic o centro de reparaciones autorizado para coordinar el envío del dosificador para su evaluación y/o reparación.

EN NINGÚN CASO, DOSMATIC SERÁ RESPONSABLE POR DAÑOS INCIDENTALES, ESPECIALES O INDIRECTOS O COLATERALES, INDEPENDIENTEMENTE QUE RESULTEN DEL USO, USO INDEBIDO O INCAPACIDAD DE USO DE ESTE PRODUCTO O DE LOS DEFECTOS DEL PRODUCTO.

No hay ninguna garantía expresa o implícita sobre los productos utilizados con los productos Dosmatic.

Dosmatic o el distribuidor autorizado no serán responsable por daños incidentales o indirectos tales como pérdidas económicas. Dosmatic se reserva el derecho exclusivo de reparar o reemplazar el producto. Dicho recuso será su único y exclusivo recurso ante el incumplimiento de la garantía. No hay otra garantía expresa o implícita, que amplíen la garantía más allá de los términos anteriormente mencionados.

## Para enviar el dosificador para reparación bajo garantía o fuera de la cobertura:

Si desea información para comunicarse con Dosmatic, consulte la página 2.

1. Enjuague y drene por completo toda solución química del dosificador. Asegúrese de empacarlo apropiadamente para envío.
2. Para RÁPIDA evaluación y reparación bajo garantía o fuera de la cobertura, por favor incluya la siguiente información: una copia de la factura original, número de serie de la unidad, químico utilizado, datos de contacto, y número de Autorización de Devolución (RA), comuníquese con atención al cliente de Dosmatic para obtenerlo.
3. Envíe la unidad con flete pre-pago a Dosmatic o distribuidor local. Si desea comunicarse con su distribuidor local o con Dosmatic para efectuar la devolución, comuníquese con atención al cliente de Dosmatic.
4. Para un dosificador en GARANTÍA: Luego de pasar la inspección y si se determina que la unidad tiene defectos en el material o la fabricación, la unidad será reparada o reemplazada, a discreción de Dosmatic, sin costo, y será devuelta por flete prepago.
5. Para un dosificador FUERA DE LA COBERTURA: Luego de pasar la inspección Dosmatic o el distribuidor local se comunicará para pasar el estimado de la reparación.

# Português

## Índice

Princípio de Funcionamento .....	65
Embalagem .....	66
Características Técnicas .....	67
Precauções De Segurança .....	68
Conselhos Gerais .....	68
Operação .....	69
Instalação e Pré-Operação .....	70
Instalação Dimensions .....	70
Instalação e Pré-Operação .....	71
Diagrama De Instalação Recomendada .....	71
TurboDos 400 Installation Instructions .....	72
Manutenção .....	73
Instruções Para Manutenção De Rotina .....	74
Análise e Resolução de Problemas .....	75
Garantia .....	76

**Leia o manual cuidadosamente, por favor, antes da pre-operação do seu dosador Dosmatic.** No manual encontrará a informação sobre o uso e cuidado do seu novo dosador Dosmatic. Se tiver alguma pergunta sobre o dosador, a garantia, manutenção de rotina ou uso apropriado, por favor, entre em contato com o distribuidor mais perto de você ou com atenção ao I cliente de Dosmatic.

Os modelos foram desenhados para dosar diesel aditivos e aprovados para ser injetados em sistemas hidráulicos.

A responsabilidade do operador é a escolha da regulação da porcentagem da dosagem correta na unidade de acordo com as recomendações do fabricante para dispensar seu produto, e de assegurar que a dosagem apropriada seja mantida.

### Manutenção e Garantia

Dosmatic oferece uma garantia limitada de três anos, contados a partir da data original da compra, que cobre só defeitos no material e a fabricação. O uso e cuidado apropriados do seu equipamento permitirá uma vida útil prolongada. Por favor, leia os termos completos da garantia na página 76.

#### Para Seu Arquivo

O N° de serie de seu dosador Dosmatic está localizado no corpo da unidade. Por favor, escreva o N° no espaço previsto e indique o número se entrar em contato com seu distribuidor ou com a Dosmatic para obter informação, peças de reposição e consertos.

N° de serie.....

Data de compra .....

**Importante:**  
**Visite nosso site**  
**[www.dosmatic.com](http://www.dosmatic.com)**  
**para preencher nosso**  
**formulário de cadastro**  
**de produtos!**

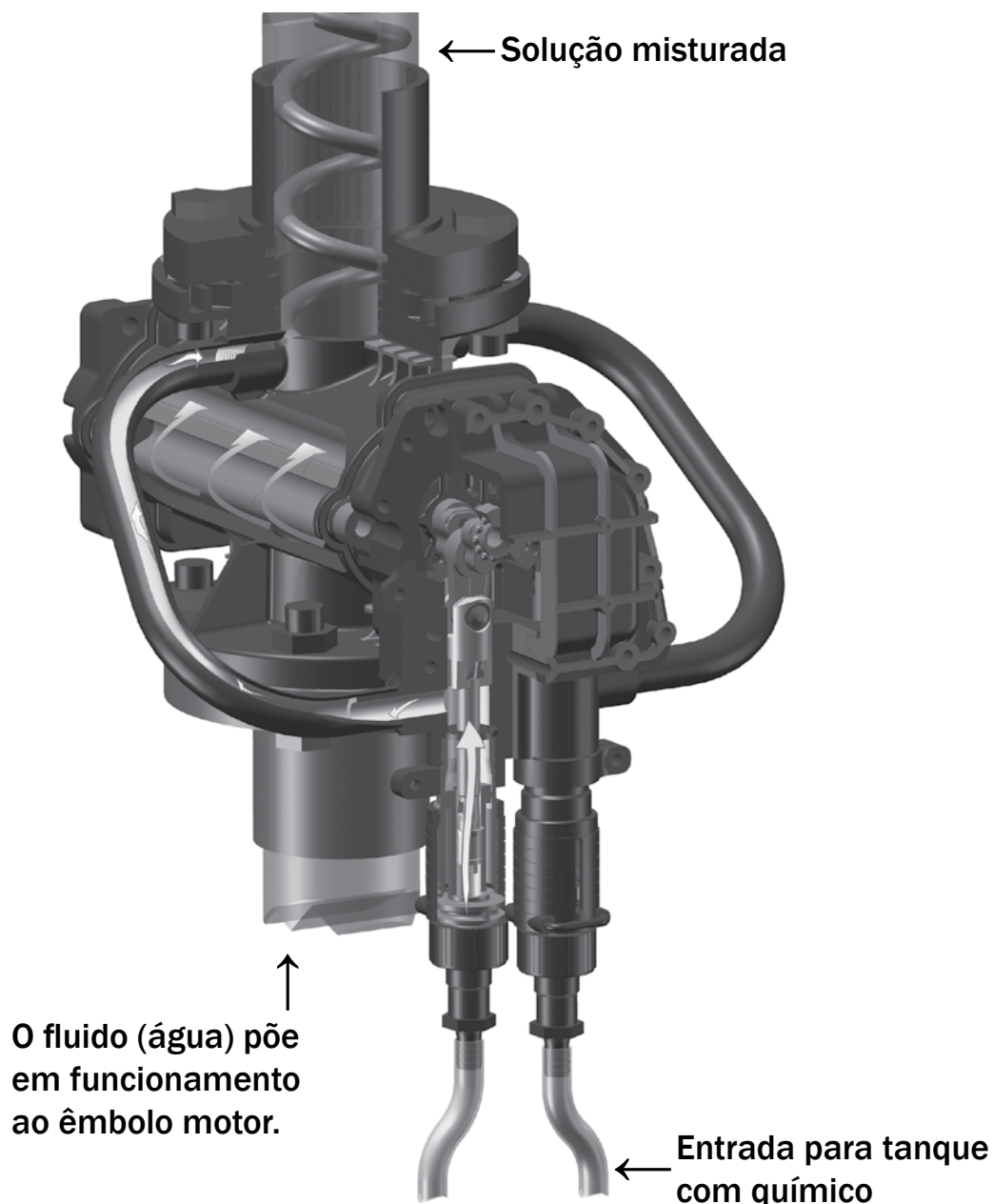
Esse documento não possui lastro contratual com a Dosmatic e é informativo unicamente. Dosmatic reserva-se o direito de alterar as especificações ou aparência dos produtos sem qualquer aviso prévio.



# Princípio de Funcionamento

Acurado e confiável

O injetor é instalado diretamente na linha de fluido sem utilizar eletricidade, somente a pressão do fluido como fonte de alimentação. O líquido impulsiona o conjunto da engrenagem do polímero vedado com excêntricos de elastômero patenteados. Em seguida, as engrenagens giram um conjunto da alavanca com rolamentos com um mecanismo de sucção correspondente (pistão de dosagem). Isso estabelece uma quantidade predefinida (ajuste do limite inferior) de produtos químicos de um recipiente aberto para o injetor. A quantidade de produto químico será diretamente proporcional ao volume de fluido que entrar no injetor, independentemente de variações de fluxo ou pressão.



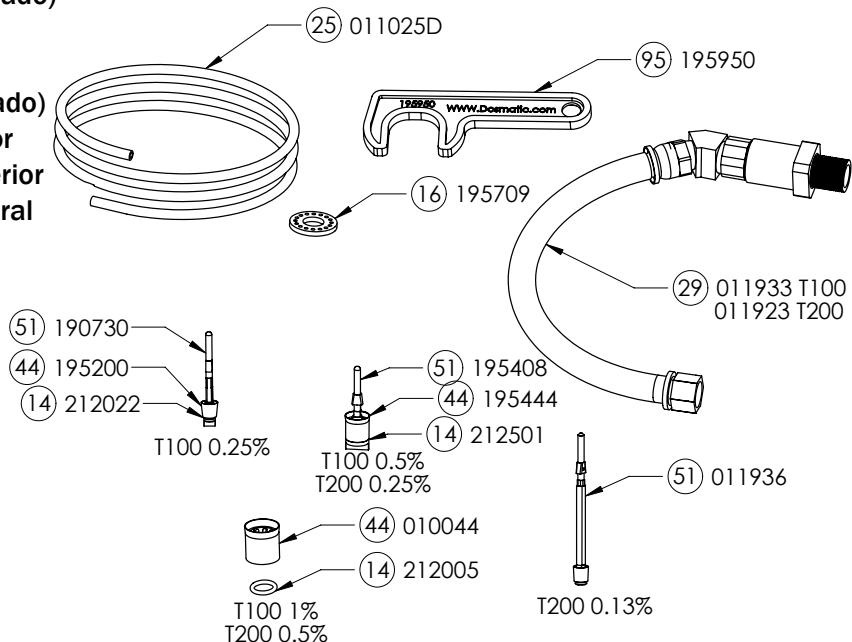
# Embalagem

O dosador inclui com sua embalagem os seguintes itens:

**Dosmatic USA**  
**Certificação ISO 9001:2008**  
**Sistema de gestão da qualidade**

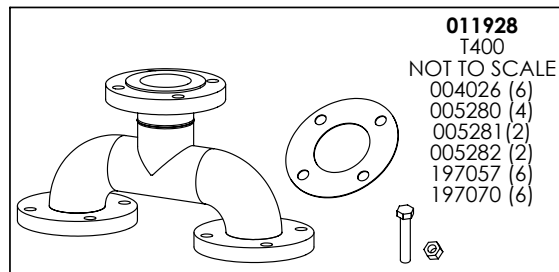
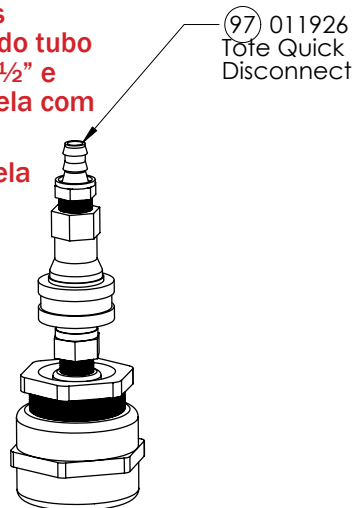
## TurboDos 100 & 200 Contents:

- Dosador Dosmatic (não ilustrado)
- Êmbolo dosador
- O-ring
- Manual Dosmatic (não ilustrado)
- Chave da extremidade inferior
- Vedação da extremidade inferior
- Mangueiras para injeção lateral
- Montagem da mangueira
- Mangueira de aspiração
- Braçadeiras



## Additional Contents for the TurboDos 400:

- Conjuntos dos coletores do motor**
- Dosador Dosmatic (não ilustrado)
- Conjunto de parafusos/porcas**
- Juntas do flange**
- Montagem em "Y" - inclui os conjuntos dos adaptadores do tubo de sucção, farpa em "Y" de 1/2" e mangueira de sucção amarela com comprimento de 60 cm**
- Mangueira de sucção amarela (7,6 m)**



# Características Técnicas



## TurboDos 100 gpm (120 psi máx.)

**Modelo 1%** 0.50% - 1% (1:200 - 1:100)

**Modelo 0.5%** 0.10% - 0.50% (1:1000 - 1:200)

**Modelo 0.25%** 0.025% - 0.25% (1:4000 - 1:400)

**Intermitentes Vazão operativa:** 20-100 gpm (75-379 l/mn)

**Continua Vazão operativa:** 20-80 gpm (75- 303 l/mn)

**Pressão operativa:** 20 - 120 psi (1,38 - 8,3 bar)

**Conexão:** 2" flange/50 mm

**Injeção dupla:** misturar ou coincidir com as extremidades inferiores (2) com base em em suas necessidades de injeção.

## TurboDos 100

### Solo

**0.5%** **114151PN**

**1.0%** **114153PN**

**0.25%** **114155PN**

### Dual

**0.5%** **114152PN**

**1.0%** **114154PN**

**0.25%** **114156PN**

**1% & 0.5%** **114157PN**

**1% & 0.25%** **114158PN**

**0.5% & 0.25%** **114159PN**



## TurboDos 200 gpm (120 psi máx.)

**Modelo 0.25%** 0.05% - 0.25% (1:2000 - 1:400)

**Modelo 0.5%** 0.25% - 0.5% (1:400 - 1:200)

**Modelo 0.13%** 0.050% - 0.13% (1:2000 - 1:800)

**Intermitentes Vazão operativa:** 40-200 gpm (151-757 l/mn)

**Continua Vazão operativa:** 40-160 gpm (151- 606 l/mn)

**Pressão operativa:** 30 - 120 psi (2,1 - 8,3 bar)

**Conexão:** 3" flange/76mm

**Injeção dupla:** misturar ou coincidir com as extremidades inferiores (2) com base em em suas necessidades de injeção.

## TurboDos 200

### Solo

**0.25%** **114551**

**0.5%** **114554**

**0.13%** **114556**

### Dual

**0.25%** **114552**

**0.5%** **114555**

**0.13%** **114557**

**0.25% & 0.5%** **114558**

**0.13% & 0.5%** **114559**

**0.25% & 0.13%** **114560**



## TurboDos 400 gpm (120 psi máx.)

**Modelo 0.25%** 0.05% - 0.25% (1:2000 - 1:400)

**Modelo 0.5%** 0.25% - 0.5% (1:400 - 1:200)

**Modelo 0.13%** 0.050% - 0.13% (1:2000 - 1:800)

**Intermitentes Vazão operativa:** 40-400 gpm (151-1514 l/mn)

**Continua Vazão operativa:** 40-320 gpm (151- 1211 l/mn)

**Pressão operativa:** 30 - 120 psi (2,1 - 8,3 bar)

**Conexão:** 3" flange/76 mm

**Injeção dupla:** misturar ou coincidir com as extremidades inferiores (2) com base em em suas necessidades de injeção.

## TurboDos 400

### Solo

**0.13%** **114701**

**0.25%** **114703**

**0.5%** **114704**

### Dual

**0.13%** **114705**

**0.25%** **114706**

**0.5%** **114707**

**0.25% & 0.5%** **114708**

**0.13% & 0.5%** **114709**

**0.25% & 0.13%** **114710**

Corpo	Material composto patenteado
Precisão de dosagem	+/- 10% da dosagem
Repetitividade	+/- 3% da proporção
Perda de pressão	Disponível sob encomenda
Temp. máx.	100°F/38°C
Temp. mín.	34°F / 1°C
Sucção máxima vertical do concentrado	13 pés / 3,6 metros
Sucção máxima horizontal do concentrado	49 pés / 15 metros
Auto-escorvante	Sim
Material de selos disponíveis: *Entre em contato com um representante Dosmatic se desejar informação sobre compatibilidade química.	Aflas Viton EPDM Kalrez® Cobertura de Teflon
Viscosidade máx.	1.500 cP (Ex. mel)
Acessórios recomendados	Filtro de +140 mesh, válvula de retenção, regulador de pressão e restritor de vazão.

# Precauções De Segurança



**Advertência,** Por favor, leia todas as precauções antes de operar a unidade. Deve respeitar a legislação local.

## Tire as tampas vermelhas nas conexões antes de instalar o equipamento

Cada unidade é testada 100% na fábrica antes do envio e pode ter uma quantidade de água dentro. As tampas vermelhas são colocadas depois do teste para assegurar a limpeza do dosador.

## Antes de utilizar químicos agressivos

Entre em contato com seu distribuidor, fabricante do químico ou com apoio ao cliente da Dosmatic se desejar informação sobre compatibilidade química do dosador.

## Marque as canalizações, válvulas e conexões

Se o químico dosado não é potável para consumo humano e marque a linha de água assim:

**ATENÇÃO: água não potável para consumo humano!**

## Controle a vazão águas abaixo

O usuário é responsável de controlar o resultado do químico injetado. Para aplicações críticas, uma medida exata deve ser realizada. Recomendamos que as unidades 0,25% e 0,13% sejam medidas com precisão para assegurar a dosagem exata. Ajuste a taxa para o máximo e aguarde 2 minutos para purgar o ar da linha de sucção. Uma vez carregado, ajuste a taxa para a configuração desejada. A unidade repetirá essa dose nas especificações fornecidas.

## Filtro recomendado e obrigatório

Instale um filtro de entrada de 140 mesh (104 micras) ou mais fino de acordo à qualidade do líquido para proteger o dosador e para a validade da sua garantia. O filtro é requerimento porque a maioria dos líquidos têm impurezas ou partículas especialmente se a fonte é um poço ou lago.

## Evite um acidente químico potencialmente perigoso

O dosador deve estar num local seguro. Não deixe o produto ao alcance de crianças ou perto de locais onde passam muitas pessoas. Não exponha o sistema a temperaturas de congelamento.

## Evite a contaminação da solução

Só utilize líquido FILTRADO. Evite que contaminantes ingressem ao tanque da solução porque serão injetados à canalização e podem disseminar doenças. Sujeira, resíduos, e outros contaminantes no tanque da solução podem desgastar excessivamente o dosador.

## Temperatura do Diesel

Mín: 34 °F (1 °C) Máx: 100 °F (38 °C)

## Pressão máxima do líquido

120 psi (8,3 bar)

Inicialmente injete de 30 a 40 psi (2,07-2,76 bar) nas linhas e a 30-40 gpm (113,6-151,4 l/min). OBSERVAÇÃO: os modelos 0,25% e 0,13% exigem técnicas especiais de preparação. Ajuste a extremidade inferior para a taxa mais baixa e aguarde no mínimo 2 minutos para purgar o ar da linha. Após essa preparação, defina a taxa para a configuração desejada.

Instale um regulador de pressão e/ou válvula de descompressão para assegurar que a pressão operativa não exceda a máxima.

## Antes de quitar o dosador do sistema

**Libere a canalização de líquido.** Quando o sistema esteja em funcionamento, feche a válvula de entrada. Deixe a válvula águas abaixo aberta para liberar a pressão do dosador e todas as peças do sistema águas abaixo. Será seguro desinstalar o dosador.

# Conselhos Gerais

Por favor, leia este manual completamente.

Siga suas instruções porque se prolongará assim a vida útil do seu dosador.

## Para uma vida útil prolongada

Comece a operar com líquido ou fluido limpo com um filtro na canalização para reduzir a presença de impurezas. O tanque com a solução deve manter-se limpo e coberto. Assegure-se de que o filtro para a solução esteja colocado como mínimo a 5 cm (2") do fundo do tanque. Também, faça as tarefas de manutenção recomendadas (leia "Manutenção" na pág. 73).

## Alinhamento do flange

Certifique-se de que a tubulação ligada aos flanges esteja instalada em linha reta até o flange para evitar estresse no flange causado por desalinhamento. A tubulação deve também ser fixada e apoiada para evitar o movimento lateral, o que pode gerar estresse e dano ao flange.

**OBSERVAÇÃO: o flange, os parafusos e as porcas não estão incluídos com a unidade TurboDos.** O torque do parafuso recomendado para um flange de 2 a 4" (51 a 102 mm) é de 25 pés/lb (111 newtons). Consulte a página 38 para saber a ordem da instalação do parafuso do flange.

## Evite expor seu Dosmatic a temperaturas extremas

Proteja o dosador de temperaturas de congelamento o calor excessivo.

## Enxágüe o dosador após cada uso

O aditivo que fique num dosador pode-se ressecar e danar o conjunto dosador no seguinte uso. (Leia "Manutenção" na pág. 73).

## Dosagem sem uso durante muito tempo

Se seu dosador não foi armazenado apropriadamente, é possível que depósitos tenham-se secado no **impellers**. (Leia "Manutenção" na pág. 73). Antes de por o dosador em funcionamento, submerja a unidade em água filtrada a temperatura de aproximadamente 22°C (72°F) durante 8 horas.

# Operação

## O estrondo é normal

O diesel que flui através do injetor causará automaticamente um estrondo e injetará uma determinada quantidade de solução na linha de diesel. Quanto maior a taxa de fluxo, mais alto o ruído. O injetor é projetado para injetar solução proporcionalmente (na mesma proporção determinada), independentemente do fluxo de diesel.

## Vazão de operação

A vazão e pressão devem estar dentro das características técnicas estabelecidas. (Consulte as "Características técnicas" na pág. 67).

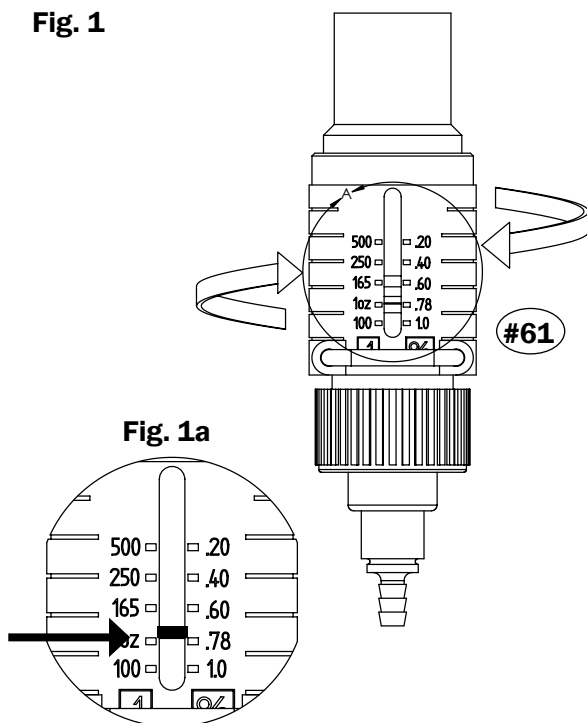
## Regulação da dosagem

A porcentagem pode ser regulada **INCLUSIVE QUANDO O DOSADOR ESTÁ EM FUNCIONAMENTO E COM PRESSÃO**. Para regular a dosagem, consulte Fig. 1.

Rotate Ratio Adjuster (#61) (Fig 1) up or down using the Setting Indicator Mark (Fig 1a) to select the desired feed rate.

NOTA: Não gire a camisa reguladora debaixo da menor marca de dosagem. Verifique que a dosagem desejada seja injetada na solução final.

Fig. 1



## Chave bypass

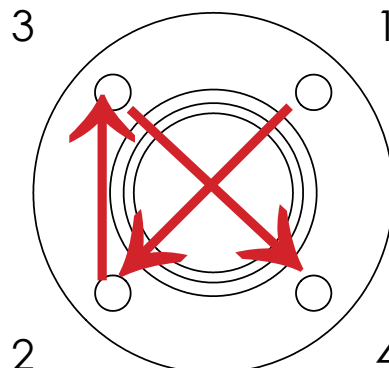
Instale usando as três válvulas bypass como indicado no diagrama de instalação (Fig. 5 on page 71).

Com a chave válvula A fechada e as válvulas B e C abertas operar normalmente e vai emitir "cliques" tanto a água passe por ele. Recomenda-se utilizar as três válvulas bypass (Fig. 5), para desligar a unidade para realizar a manutenção.

## Conexão dos flanges

1. O tubo de entrada com flange e o tubo de saída com flange conectados aos flanges do coletor do motor do TurboDos 400 devem ser instalados em linha reta, paralelos e nivelados para evitar estresse no flange causado por desalinhamento. As tubulações e o TurboDos 400 devem ser protegidos e apoiados para evitar o movimento lateral que criará estresse e danos à carcaça do injetor.
2. Encaixe o flange inferior do coletor do motor ao flange no tubo de entrada. Encaixe os flanges do coletor do motor nos flanges inferiores de cada injetor posicionando corretamente a junta, alinhando os furos dos parafusos dos flanges correspondentes por meio da rotação do anel na posição adequada.
3. Coloque todos os parafusos, arruelas (duas arruelas lisas padrão por parafuso) e porcas.
4. Certifique-se de que as faces das superfícies correspondentes fluam contra a junta antes de aparafusar os flanges.
5. Aperte as porcas manualmente até o ponto adequado. Exerça uma pressão uniforme sobre a face do flange, apertando os parafusos em incrementos de 5 pés-lb (22 newtons), de acordo com a sequência mostrada abaixo após a sequência oposta de 180°. Consulte a Fig. 2 (1-2-3-4).
6. Deve-se tomar cuidado para evitar "dobrar" o flange ao unir um flange a outro com face protuberante ou a uma válvula de água. Não utilize parafusos para unir flanges encaixados incorretamente.
7. Torque do parafuso – o torque máximo do parafuso recomendado para um flange entre 2" e 4" (51 a 102 mm) é de 25 pés-lb (111 newtons).

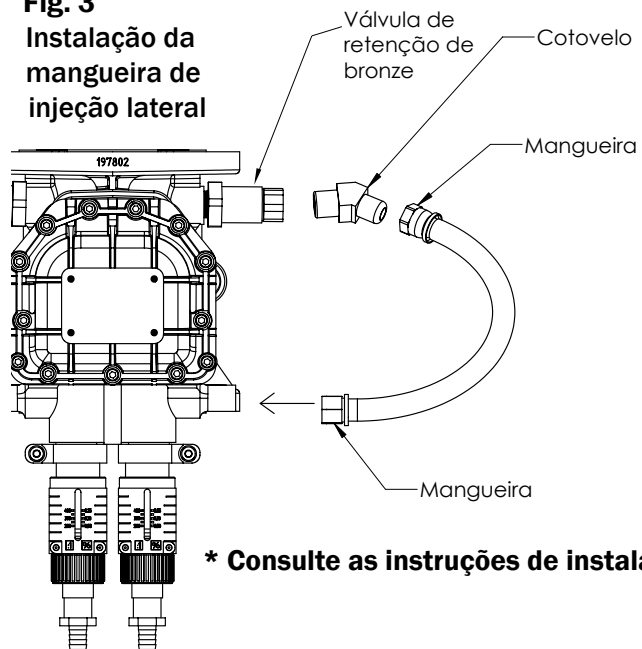
Fig. 2



# Instalação e Pré-Operação

Consulte os números de referência nas páginas 68 - 75

**Fig. 3**  
Instalação da mangueira de injeção lateral



\* Consulte as instruções de instalação

## Instalação da mangueira de injeção lateral

1. Remova PAC do # 22 (# 40 TurboDos 200) lado superior injeção inlet.
2. Desapertar agenda 40 PAC e remover.
3. Ligue # 29 a tomada de injeção de lado inferior
4. Solte # 24 grampo e slide Mangueira para # 22 latão barb (# 40 TurboDos 200) e aperte # 24 prendedor.

Se a unidade é dupla, repita para outro lado.

Se a unidade for TurboDos 400, siga as instruções acima para ambos os injetores.

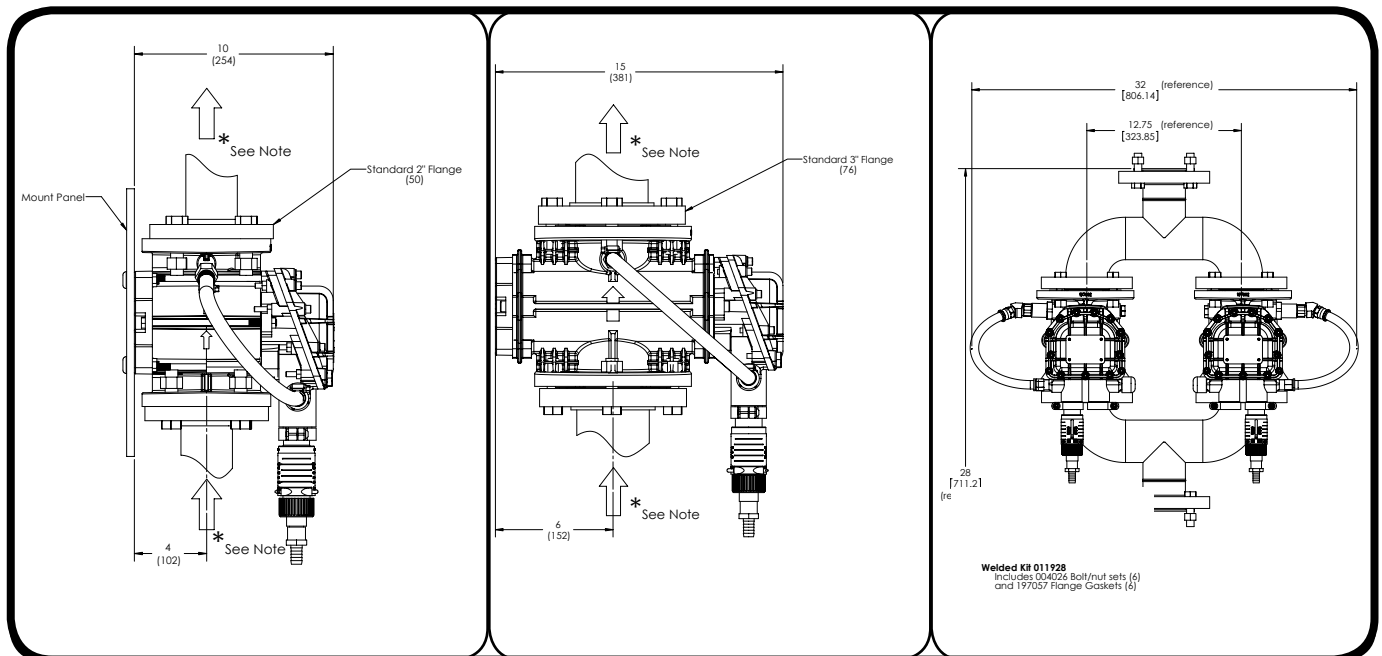
# Instalação Dimensões

**Fig. 4** \*Modelos invertidos estão disponíveis para inverter o sentido do fluxo

**TurboDos 100**

**TurboDos 200**

**TurboDos 400**



# Instalação e Pré-Operação

Consulte as Fig. 4 e Fig. 5

## Filtro para líquidos (Necessário)

Instale um filtro de entrada de 140 mesh (104 micras) o mais fino de acordo à qualidade do líquido para proteger o dosador e para a validade da sua garantia. A Dosmatic recomenda um filtro Twist II Clean ® 2 para os modelos TurboDos 100, o qual pode ser encomendado com o injetor.

## Montagem do dosador

Fixe o injetor a uma estrutura sólida ou ele poderá ficar solto se os tubos de entrada/saída estiverem apoiados. Instale diretamente em uma tubulação de 2" (50 mm) ou 3" (76 mm), dependendo do modelo, e certifique-se de apertar parcialmente cada parafuso/porca do flange de modo alternado antes de apertar completamente. Isto evitará danos ao flange do injetor.

## Válvula anti-retorno (recomendado)

Instale uma válvula de acordo e com os códigos locais.

## Regulador de pressão (recomendado)

Ele evita que a pressão excede as especificações técnicas da unidade.

## Disposição de três válvulas (recomendado)

Permite desligar a unidade para realizar a manutenção e armazenamento quando a unidade não estiver em funcionamento.

## Dispositivo para golpe de aríete (recomendado)

Evita o dano por golpe de aríete, se estiver operando com válvulas solenóides, válvulas pneumáticas de fechamento rápido ou inclusive se estiver operando com válvulas de esfera manuais no sistema de água.

## Válvula anti-sifonagem (opcional)

Para evitar que o químico concentrado (do tanque) seja expulso à fonte quando a válvula de águas arriba estiver fechada. A válvula anti-sifonagem deve instalar-se na canalização águas abaixo da unidade.

## Prevenção adicional para efeito sifonagem

Coloque o tanque com a solução concentrada debaixo da peça de encaixe na mangueira de aspiração. Se utilizar a válvula de entrada como válvula de corte, pode causar que o produto concentrado seja expulso para a canalização águas arriba.

## Tanque de solução

Pode utilizar qualquer tamanho de tanque, mas recomendamos um tanque com uma tampa. Para conectar o tanque com a solução instale o extremo da mangueira de aspiração na peça de encaixe. Coloque o filtro de aspiração pelo menos 5cm (2") do fundo do tanque. Cobre o filtro de aspiração como pelo menos 5cm (2") de produto químico.

## Nunca utilize lubrificantes derivados do petróleo

Receberá o dosador Dosmatic com uma capa fina de silicone nas juntas colocadas para facilitar o armado. Nunca utilize nos anéis o-rings ou em qualquer parte do dosador lubrificantes derivados do petróleo como vaselina, óleo de bebê, WD 40®, lubrificante de motor, etc. porque podem causar que as partículas se aderiam e obstruam ou danem o dosador.



## Verifique se o sistema tiver alguma goteira e pré-operação

Abra a válvula bypass (A), feche a válvula de entrada (B) e válvula de saída (C) para que a água não ingresse ao dosador. Abra PROGRESSIVAMENTE a linha de entrada principal. Deixe que a vazão flua a 11-45 lpm (5 -12 gpm) no sistema. Abra todas as válvulas na linha de saída do dosador para eliminar o ar existente em seu interior. Abra PROGRESSIVAMENTE a válvula da linha de entrada (B). Abra a válvula (C) na saída do dosador. Feche a válvula (A). Tanto a água passe pelo dosador, o dosador e vai emitir um som "clique" contínuo. Verifique se o sistema tiver alguma goteira e faça as correções.

## Diagrama De Instalação Recomendada

TurboDos 100 & 200

Mostrado na operação

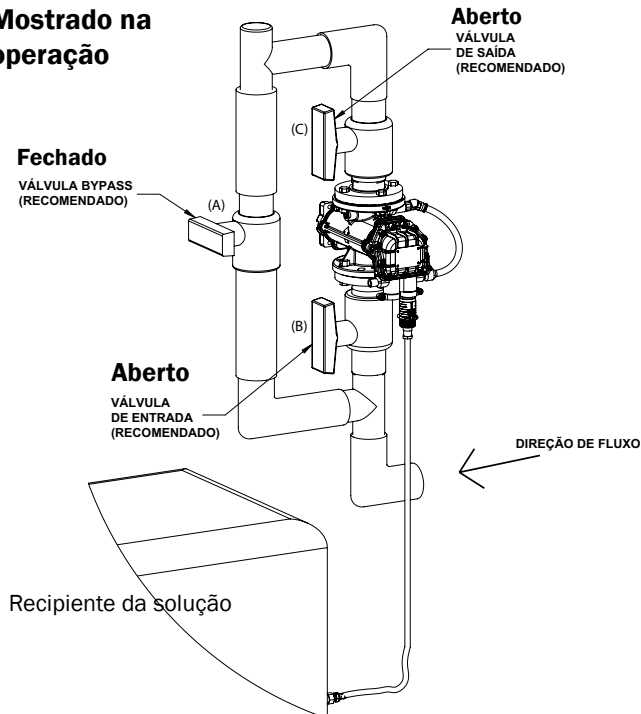
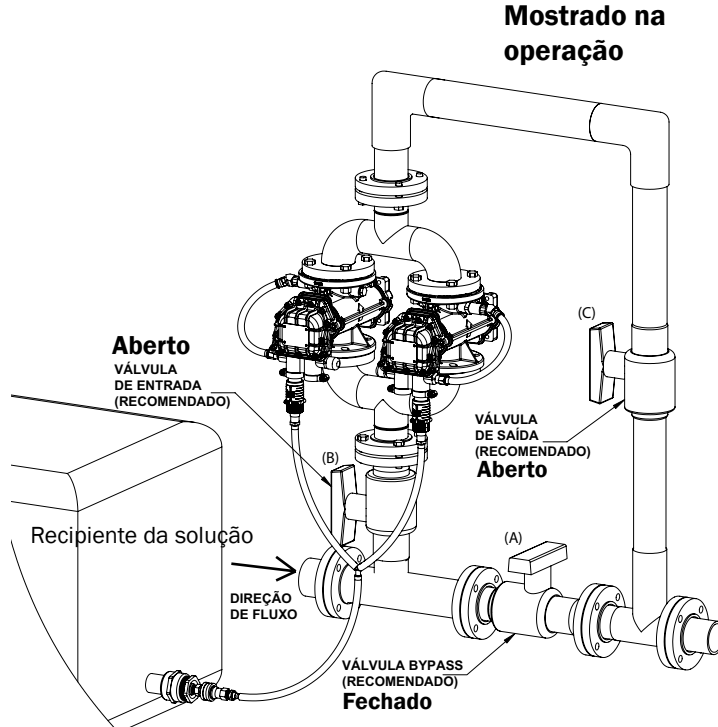


Fig. 5

TurboDos 400

Mostrado na operação



# Instruções de instalação do TurboDos 400

Para instalar corretamente o sistema Dosmatic, recomendamos que você realize as etapas de instalação a seguir. Essas informações podem variar dependendo das suas condições específicas. Consulte a Fig. 5 na pág. 45 para obter o diagrama completo de instalação.



1. Iniciando pelo fechamento do came de combustível, escolha uma área suficientemente grande para instalar o TD400 com três válvulas bypass.



2. Dependendo do espaço disponível, corte um tubo suficientemente grande para soldar juntas em cada lado do tubo cortado e os flanges na válvula liga/desliga no centro do corte.



3. Sempre monte o TurboDos 400 acima do nível dos reservatórios químicos/aditivos. Um tubo de extensão pode ser adicionado ao flange de montagem, conforme mostrado aqui, para assegurar a colocação adequada.



4. Monte cada injetor na parte inferior do coletor do motor utilizando os parafusos e as juntas fornecidos para o coletor (consulte a sequência de parafusos e as especificações de torque).



5. Fixe a metade superior do coletor com os parafusos e as juntas fornecidos (consulte a sequência de parafusos e as especificações de torque na próxima página).



6. Conecte o coletor superior para concluir a instalação das três válvulas bypass, conforme recomendado.



7. Na caixa com os dois injetores há a montagem em "Y", que consiste em conjuntos dos adaptadores do tubo de sucção, mangueiras de sucção de 60 cm amarelas, braçadeiras e farpa em "Y". Remova o anel O do lacre e coloque-o dentro dos conjuntos dos adaptadores do tubo de sucção e aparafuse-o nas extremidades inferiores de cada injetor.

8. Após a montagem em "Y" ser encaixada em cada injetor, encaixe a longa mangueira de sucção amarela na farpa em "Y" e prenda-a com a braçadeira. Inicie os procedimentos de ativação descritos no manual de instruções.



# Manutenção

Consulte os números de referência nas páginas 78 -85

## Limpe o tanque de produto químico

Mantenha a recipiente do produto coberto para evitar que ingressem resíduos, insetos, plumas ou resíduos transportados pelo vento. Enxágüe bem o tanque o faça-o com freqüentemente. Não misture químicos que podem reagir e causar precipitação. Utilize líquido FILTRADO quando encha o tanque.

## Limpe o crivo do filtro da mangueira de aspiração

Controle-o cada vez que um novo produto é acrescentado. Limpe-o o filtro (Nº27) e a mangueira de aspiração (Nº25) tantas vezes que for necessário com água fresca.. Troque-os, se necessário. Assegure-se de que o filtro não esteja colocado no fundo do tanque do produto para prevenir que os resíduos e precipitados obstruam o filtro.

## Limpe o filtro de entrada

Limpe ou troque o filtro de entrada para assegurar uma vida útil do seu dosador e reduzir a perda de pressão.

## Dosador em bypass

Quando o dosador não estiver em operação, coloque-o em bypass com o sistema de disposição em 3 válvulas.

## Armazenamento

Para armazenamento por períodos longos, enxágüe o dosador com água limpa (Leia “Enxágüe o dosador após cada uso”) e ponha num recipiente de 5 galões como água, todos os meses, verta uma pequena quantidade, 29 ml (<0.1 oz.) de água sanitária para evitar as algas. EVITE A EXPOSIÇÃO A TEMPERATURAS DE CONGELAMENTO

## Faça as tarefas de manutenção para uma vida útil prolongada do dosador.

Consulte as páginas 79 e 81

Modelo TurboDos 100 (0.5%, 1%, 0.25%)

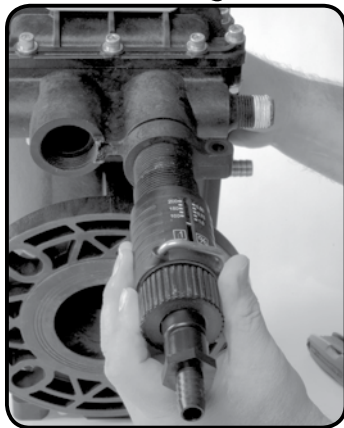
Cada 3 - 6 Meses	Cada 6 - 12 meses	Substitua quando for necessário
<ol style="list-style-type: none"><li>1. Limpe o área dos selos (Nº 14) ou (Nº 51 - 0.25%).</li><li>2. Revise o revise, limpe e, se for preciso, substitua o cilindro (Nº37).</li></ol>	<ol style="list-style-type: none"><li>1. Substitua o êmbolo dosador (Nº44).</li><li>2. Limpe e/ou substitua a válvula de retenção (Nº13), verifique a peça de encaixe na mangueira (Nº11)</li></ol>	<ol style="list-style-type: none"><li>1. Cilindro (Nº37).</li><li>2. O-ring (Nº14)</li><li>3. êmbolo dosador (Nº44) ou (Nº 51 - 0.25%).</li></ol>

Consulte as páginas 83 e 85

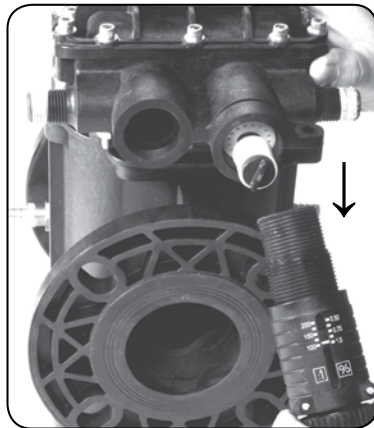
Modelos TurboDos 200/400 (0.25%, 0.5%, 0.13%)

Cada 3 - 6 Meses	Cada 6 - 12 meses	Substitua quando for necessário
<ol style="list-style-type: none"><li>1. Limpe o área dos selos (Nº14 ou Nº 51 - 0.13%).</li><li>2. Revise o se for preciso, substitua o cilindro (Nº37)</li></ol>	<ol style="list-style-type: none"><li>1. Substitua êmbolo dosador (Nº44 ou Nº 51 - 0.13%)</li><li>2. Limpe e/ou substitua a válvula de retenção (Nº13), verifique a peça de encaixe na mangueira (Nº11)</li></ol>	<ol style="list-style-type: none"><li>1. Cilindro (Nº7).</li><li>2. O-ring (Nº14).</li><li>3. Conjunto de eixo e e êmbolo dosador (Nº44 &amp; Nº 51).</li></ol>

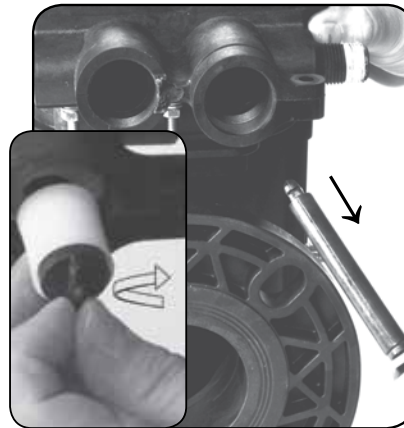
# Instruções Para Manutenção De Rotina



**Etapa 1.**  
Desparafuse o onjunto do cilindro da extremidade inferior do corpo.



**Etapa 2.**  
Remova o conjunto do cilindro da extremidade inferior.



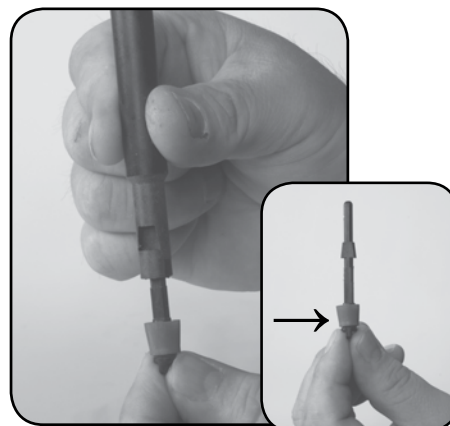
**Etapa 3.**  
Gire o EIXO 52 em um ângulo de 90° e puxe-o do corpo.



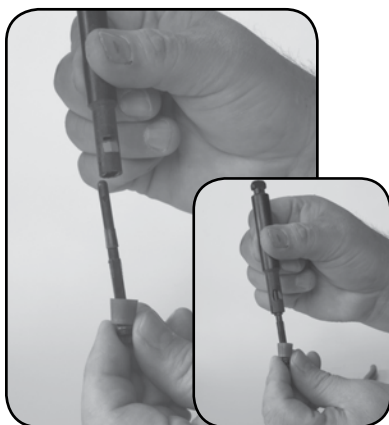
**Etapa 4 para (1% & 0.5%)**  
as abas de pressão e remova o pistão de dosagem.



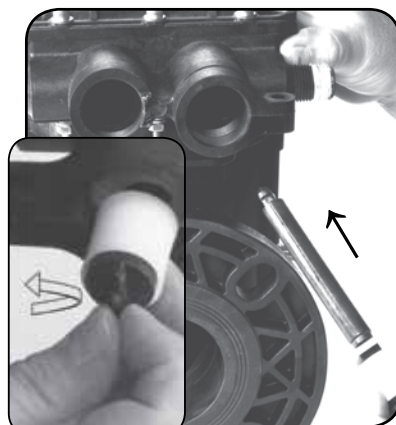
**Etapa 4a para (TD100 - 1% & TD200 - 0.5%)**  
Recoloque o pistão de dosagem 44 com a extremidade brilhante para cima e o anel O-ring 14.



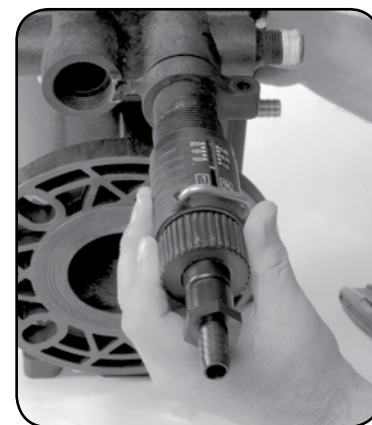
**Etapa 5 para (TD100 - 0.25%, 0.5% & TD200 0.25%)** Remova o conjunto do eixo inferior 51 e recoloque o pistão de dosagem 44 e o anel O-ring 14.



**Etapa 5a para (TD200 0.13%)** Remova e substitua o conjunto do eixo inferior 51.



**Etapa 6.**  
Reinsira o conjunto do eixo inferior 52 no corpo e gire 90° para travar. Insira o 51 no conjunto do eixo superior para o TD100 0,5%, 0,25% e TD200 0,25% e 0,13%. Confirme se o eixo está travado puxando-o delicadamente. O eixo deve permanecer inserido.



**Etapa 7.**  
Aparafuse o conjunto do cilindro da extremidade inferior no corpo. Certifique-se de que a junta 16 esteja assentada no topo do conjunto do cilindro.

# Análise e Resolução de Problemas

**Nova instalação – sempre incremente a pressão do sistema lentamente (Instruções para a pre-operação na pág. 71)**

Problema	Causa	Solução
<b>Motor não faz o som “estrondo”</b>	O líquido FLUI na sistema	A vazão excede a vazão de funcionamento do dosador. (Consulte as “Características técnicas” página 67) Se a vazão é inferior à especificada, incremente-a. Se a vazão é superior à especificada, reduza-a A pressão de funcionamento excede a pressão de funcionamento máxima para o dosador. (Consulte as “Características técnicas” página 67). A válvula by-pass (A) não está fechada: check e feche a válvula

## Dosador em operação ou depois da manutenção programada

Problema	Causa	Solução
<b>Motor faz o som “estrondo”, sem aspiração de solução</b>	Mangueira de aspiração N°25 ou a peça de encaixe da mangueira de aspiração N°11 quebradas, tem goteiras ou tem filtro de solução obstruídos	Troque-os ou limpe-os, se for necessário.
	O êmbolo dosador (44) e o anel retentor (14) não foram instalados corretamente	Troque ou verifique que durante a manutenção de rotina o êmbolo dosador N°44 estiver com o extremo campaniforme para arriba.
	O alojamento do o-ring N°14 ou êmbolo dosador N°44 danado	Troque-o.
	Gotejamento na válvula de retenção:	Limpe-a e troque-a, se for necessário.
	Eixo desconectado	Remova a extremidade inferior, verifique os eixos e certifique-se de que estejam conectados.

Problema	Causa	Solução
<b>Motor faz o som “clique”, subdosagem</b>	Êmbolo dosador desgastado N°44	Troque-o.
	Cilindro interno (N°7) (N° 37 - 0.5%) desgastado	Troque-o.
	A unidade opera com vazões altas mas não com vazões baixas	Verifique se há os requisitos de vazão mínima. Recoloque os excêntricos (deve ser realizado na fábrica).

Problema	Causa	Solução
<b>ÁGUA SOBRECARRREGA O TANQUE COM O PRODUTO</b>	Gotejamento na válvula de retenção N°13	Verifique a área do alojamento da peça de encaixe da mangueira de aspiração N°11. A válvula de retenção e o-ring devem encaixar frouxos na peça de encaixe da mangueira. Limpe o o-ring e interior da peça.
	A arruela sobre a peça N°13 está inchada.	Troque-a com um conjunto de válvula de retenção

# Garantia



## Parabéns Por Sua Compra

Fabricamos os melhores e mais confiáveis dosadores hidráulicos no mercado. Nossa garantia oferece a melhor cobertura da indústria. Dosmatic substituirá todas as peças que se comprovaram defeituosas respeito do material ou processo de fabricação desde a data de compra pelos seguintes períodos:

3 anos	Placa posterior, corpo intermediário e tampa
2 anos	Rotores e conjunto do braço da alavanca
1 ano	Extremidade inferior (exceto peças com desgaste normal)

Os produtos Dosmatic estão garantidos contra defeitos de material e fabricação durante os períodos declarados acima. Dosmatic, por própria opção, consertará ou substituirá o qualquer componente que falhe em uso normal. Os consertos sob garantia não prolongaram o período da garantia inicial.

## Para Conservar La Garantia

Sua única responsabilidade é a manutenção comum da unidade (filtração da água de entrada e substituição dos anéis o-rings e êmbolos dosadores desgastados. Os selos e o-rings não estão cobertos pela garantia).

A garantia não será válida se os defeitos constatados são provenientes dum uso inadequado dos produtos, falta de

manutenção, impureza da água, como areia e ferro, entre outros, uma instalação anormal do aparelho, congelamento, golpe de aríete, abuso, efeitos colaterais não desejados produzidos pelos produtos químicos que escolheu dosar ou assistência técnica por pessoas não autorizadas. Dosmatic não é responsável se o produto é utilizado em descumprimento das instruções e características técnicas do presente manual de instruções.

A garantia será anulada, se o corpo do aparelho é desmontado. Se achar que tem um problema com o conjunto do êmbolo **Impellers** ou dentro do corpo, por favor, entre em contato com a Dosmatic ou um centro de conserto autorizado para coordenar o envio do seu dosador para inspeção e/ou conserto.

Não existe nenhuma garantia expressa ou implícita respeito aos produtos utilizados com os produtos Dosmatic.

**SOB HIPÓTESE ALGUMA, A DOSMATIC SE RESPONSABILIZARÁ POR DANOS E/OU PREJUÍZOS INCIDENTAIS, ESPECIAIS, INDIRETOS OU CONSEQUENCIAIS DECORRENTES DO USO, USO INDEVIDO OU DA INCAPACIDADE DE UTILIZAR O PRODUTO OU DECORRENTES DOS DEFEITOS DO PRODUTO.**

Dosmatic e seus distribuidores autorizados não se responsabilizarão pelos danos e/ou prejuízos consequenciais ou indiretos como perdas financeira. Dosmatic se reserva o direito exclusivo para consertar ou substituir o produto. As soluções constantes neste termo de garantia são as únicas e exclusivas oferecidas para descumprimento da garantia. Não existe nenhuma outra garantia, expressa ou implícita, exceto conforme expressamente declarado acima.

## Para retornar a unidade para conserto em garantia o sem garantia:

Consulte pág. 2 para entrar em contato com Dosmatic.

1. Enxugue completamente toda a solução química e esvazie-a . Empaque a unidade apropriadamente para ou envió.
2. Para uma avaliação e conserto RÁPIDOS com ou sem garantia, por favor, envie copias de: fatura original, número de série da unidade, informação do químico utilizado, dados de contato, e o número de Autorização de Devolução, entre em contato com apoio ao cliente de Dosmatic para obtê-lo.
3. Envie com frete pre-pago a Dosmatic ou seu distribuidor local. Para entrar em contato com seu distribuidor local, ou para enviar a Dosmatic, entre em contato com o apoio ao cliente de Dosmatic de do país.
4. Para o dosador COM GARANTIA: depois da inspeção e a confirmação de que a unidade tem defeitos no material ou fabricação, a unidade será consertada ou substituída a opção da Dosmatic, sem custo e enviado com frete pré-pago.
5. Para o dosador SEM GARANTIA: Dosmatic ou seu distribuidor local entrara em contato para informar o valor estimado do conserto depois da inspeção.

### **Français**

- KITS ET LISTE DES PIÈCES DÉTACHÉES 100 - 0.5%.....79
- KITS ET LISTE DES PIÈCES DÉTACHÉES 100 - 1%.....80
- KITS ET LISTE DES PIÈCES DÉTACHÉES 100 - 0.25%.....81
- KITS ET LISTE DES PIÈCES DÉTACHÉES 200 - 0.25%.....83
- KITS ET LISTE DES PIÈCES DÉTACHÉES 200 - 0.5%.....84
- KITS ET LISTE DES PIÈCES DÉTACHÉES 200 - 0.13%.....85

### **Deutsch**

- UNTERES ENDE INJEKTOR UND VERSCHLIESSTEILSATZ 100 - 0.5%.....79
- UNTERES ENDE INJEKTOR UND VERSCHLIESSTEILSATZ 100 - 1%.....80
- UNTERES ENDE INJEKTOR UND VERSCHLIESSTEILSATZ 100 - 0.25%.....81
- UNTERES ENDE INJEKTOR UND VERSCHLIESSTEILSATZ 200 - 0.25%.....83
- UNTERES ENDE INJEKTOR UND VERSCHLIESSTEILSATZ 200 - 0.5%.....84
- UNTERES ENDE INJEKTOR UND VERSCHLIESSTEILSATZ 200 - 0.13%.....85

### **Español**

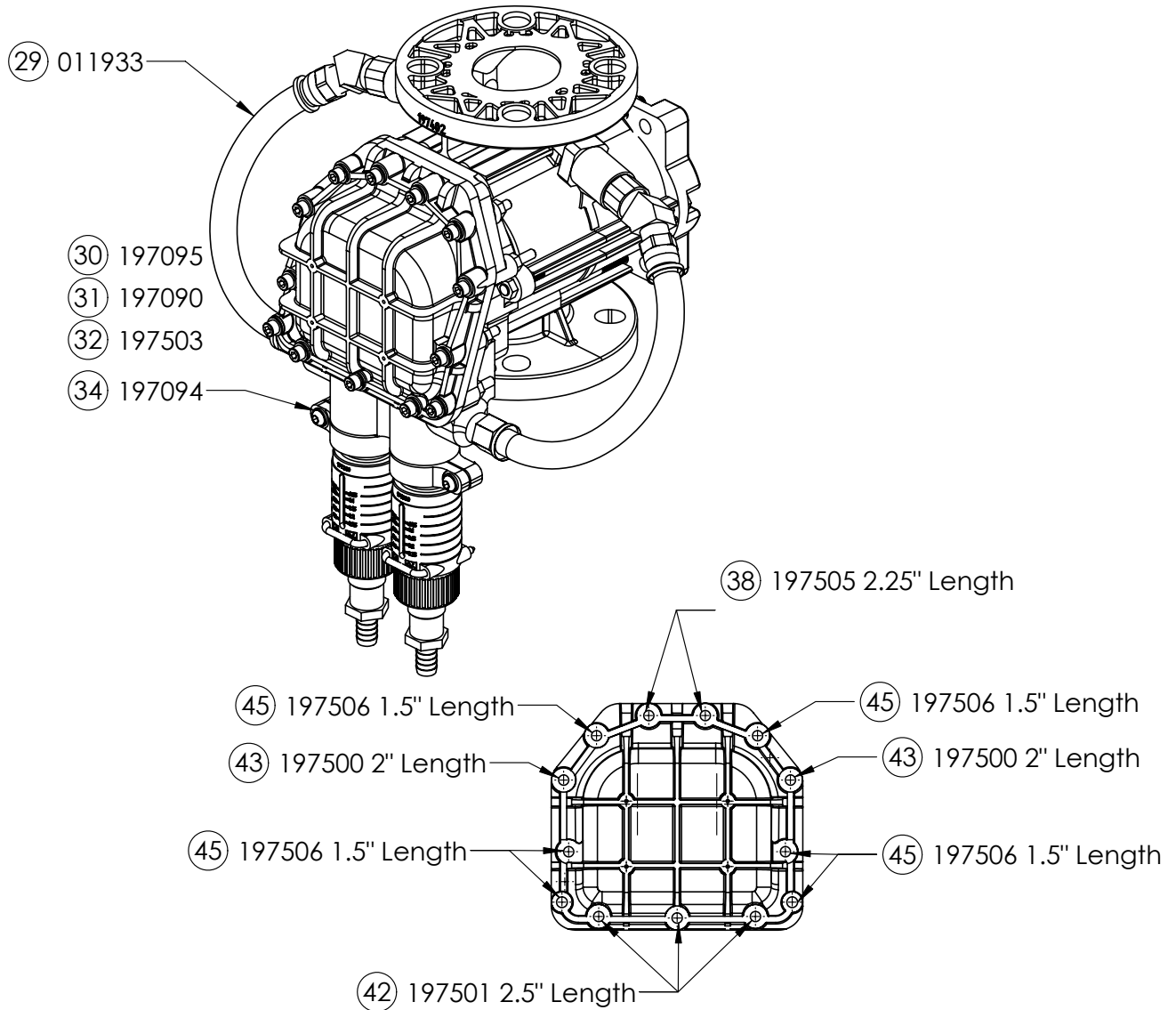
- LISTA DE KITS Y COMPONENTES DE REPUESTO 100 - 0.5%.....79
- LISTA DE KITS Y COMPONENTES DE REPUESTO 100 - 1%.....80
- LISTA DE KITS Y COMPONENTES DE REPUESTO 100 - 0.25%.....81
- LISTA DE KITS Y COMPONENTES DE REPUESTO 200 - 0.25%.....83
- LISTA DE KITS Y COMPONENTES DE REPUESTO 200 - 0.5%.....84
- LISTA DE KITS Y COMPONENTES DE REPUESTO 200 - 0.13%.....85

### **Português**

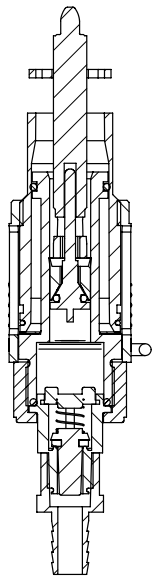
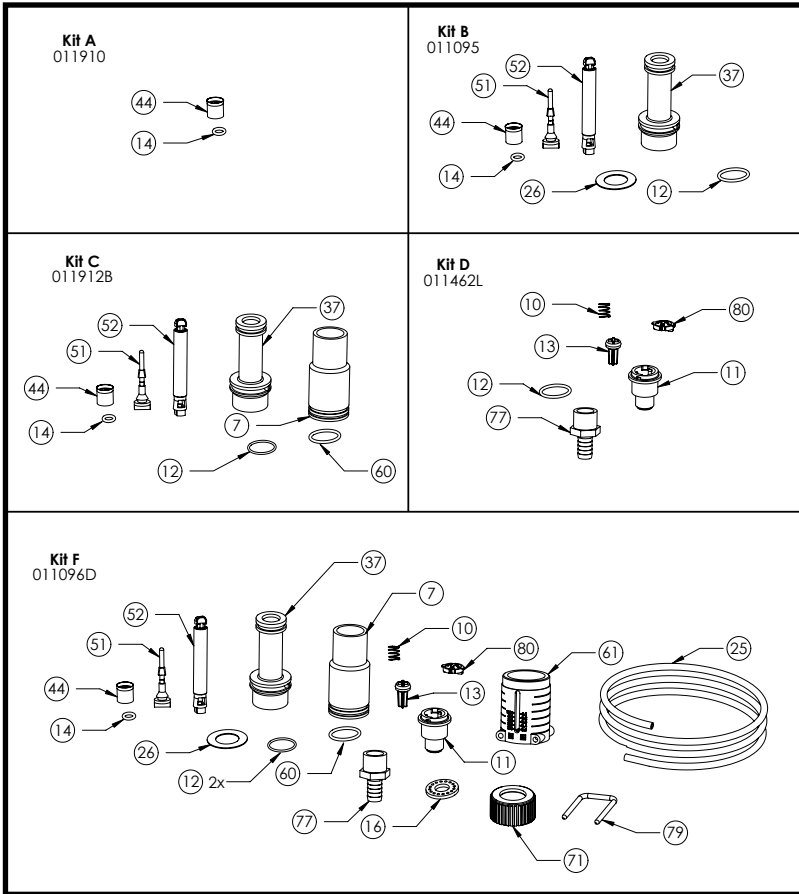
- PEÇAS DE DESGASTE E DO CONJUNTO DOSADOR 100 - 0.5%.....79
- PEÇAS DE DESGASTE E DO CONJUNTO DOSADOR 100 - 1%.....80
- PEÇAS DE DESGASTE E DO CONJUNTO DOSADOR 100 - 0.25%.....81
- PEÇAS DE DESGASTE E DO CONJUNTO DOSADOR 200 - 0.25%.....83
- PEÇAS DE DESGASTE E DO CONJUNTO DOSADOR 200 - 0.5%.....84
- PEÇAS DE DESGASTE E DO CONJUNTO DOSADOR 200 - 0.13%.....85

**SCHEMA**  
**INJEKTORREPARATURTEILE**  
**DIAGRAMA**  
**PEÇAS DE REPOSIÇÃO DO DOSADOR**

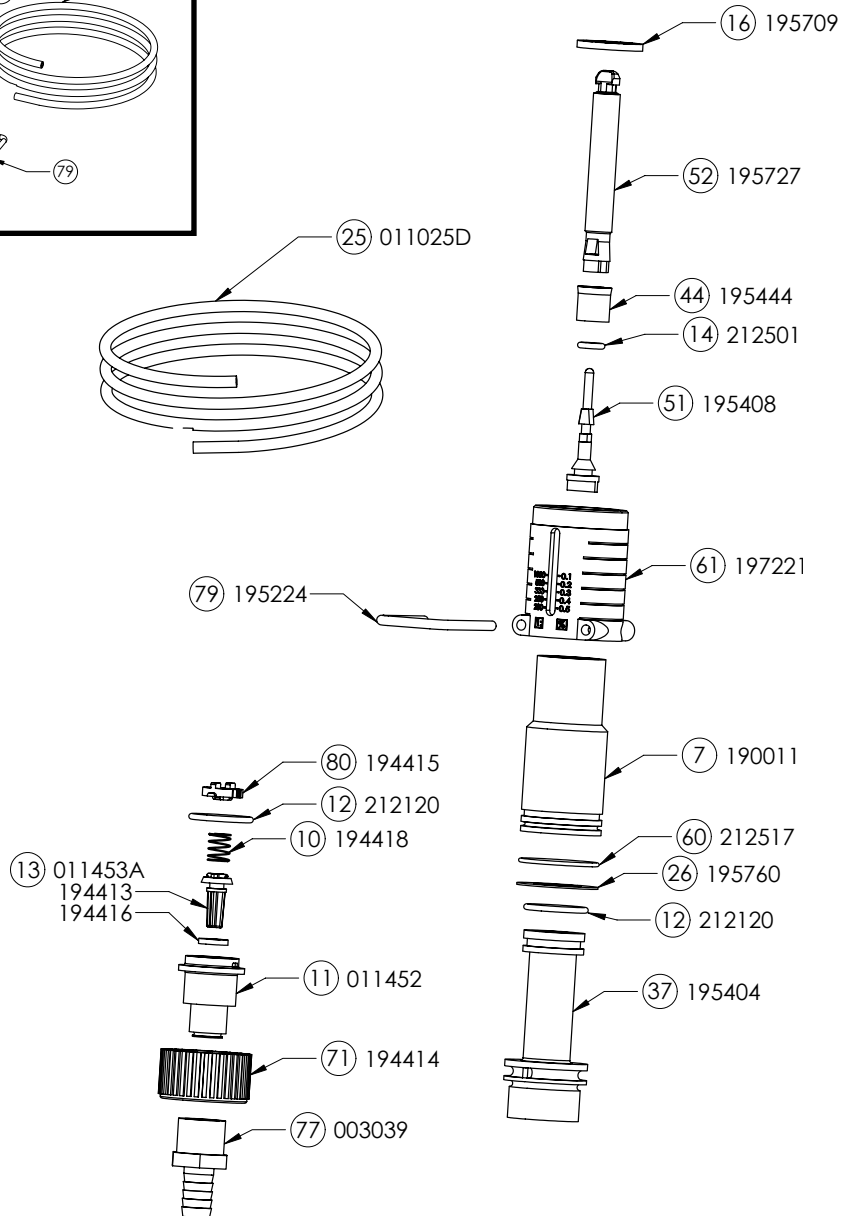
**TurboDos 100**



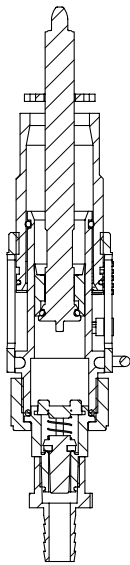
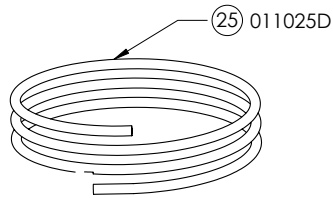
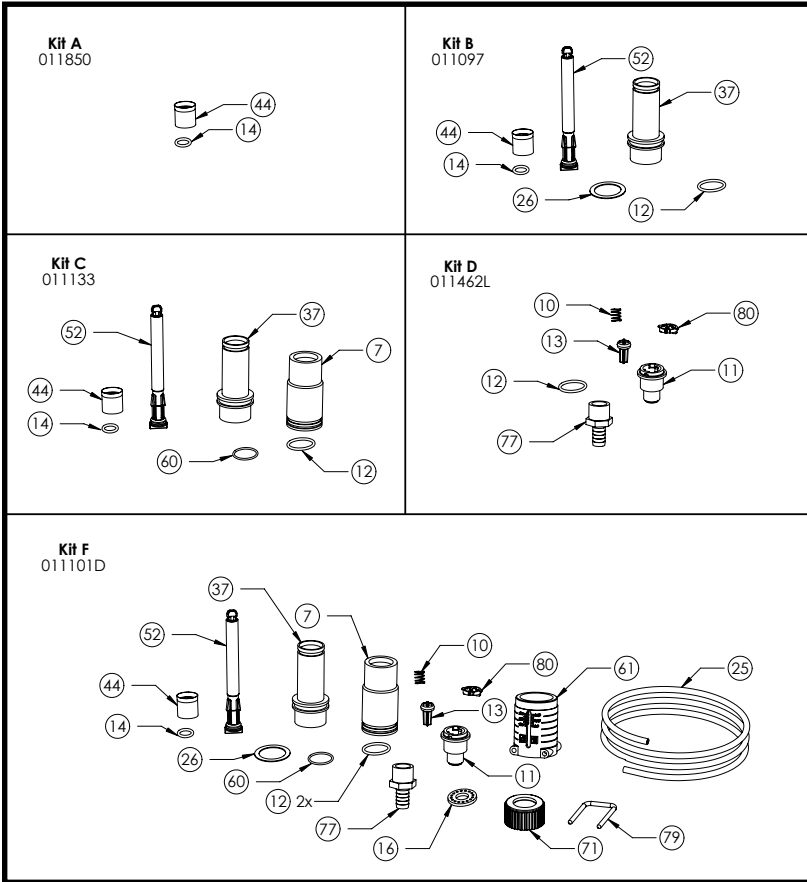
**0.5%:**



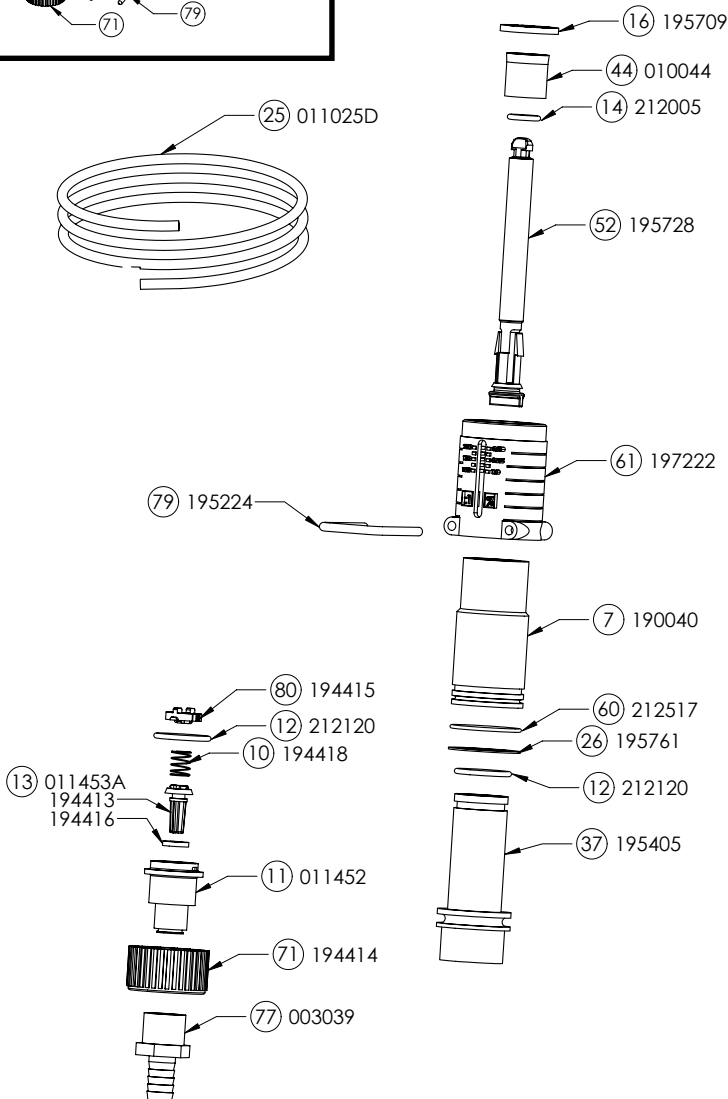
**Lower End Assembly**  
**Ensemble partie basse**  
**Unteres Ende Bausatz**  
**Conjunto Dosificador**  
**Conjunto Dosador**



**1%:**

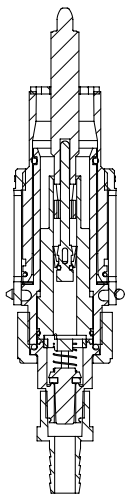
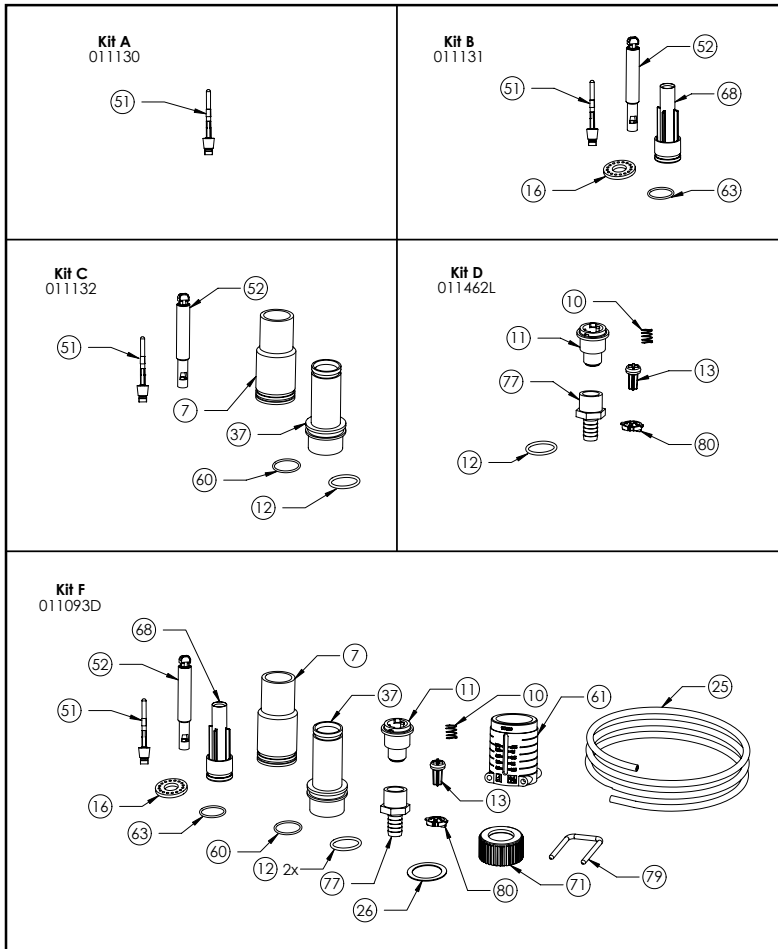


**Lower End Assembly**  
Ensemble partie basse  
Unteres Ende Bausatz  
Conjunto Dosificador  
Conjunto Dosador

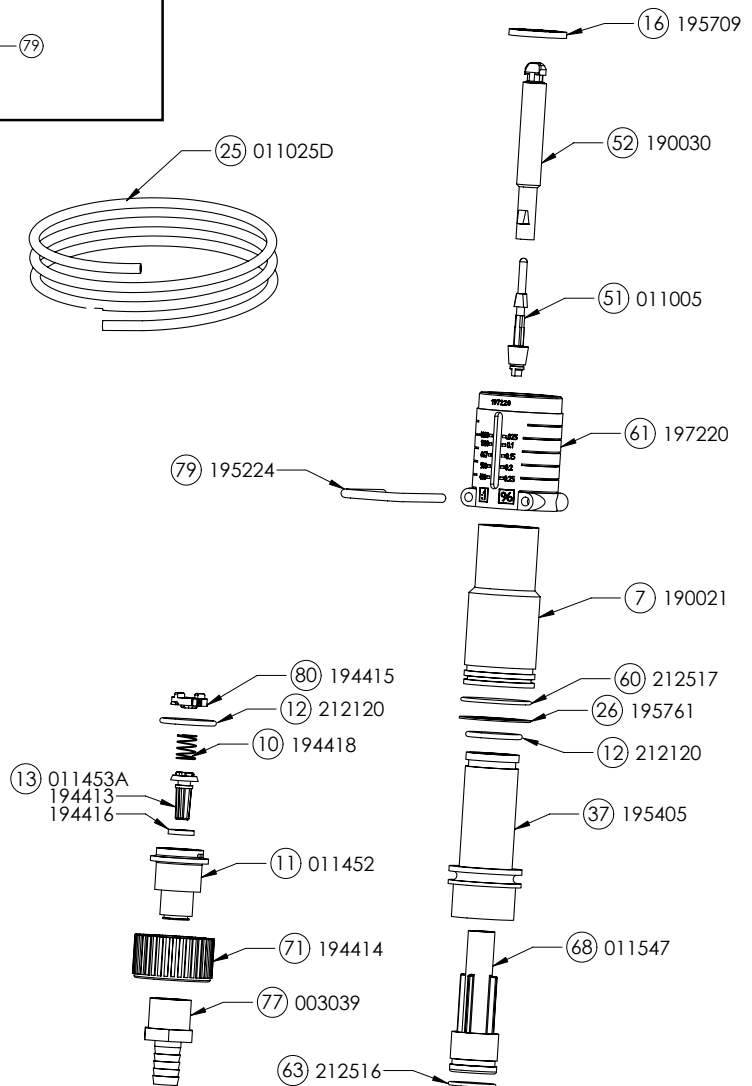




# 0.25%:

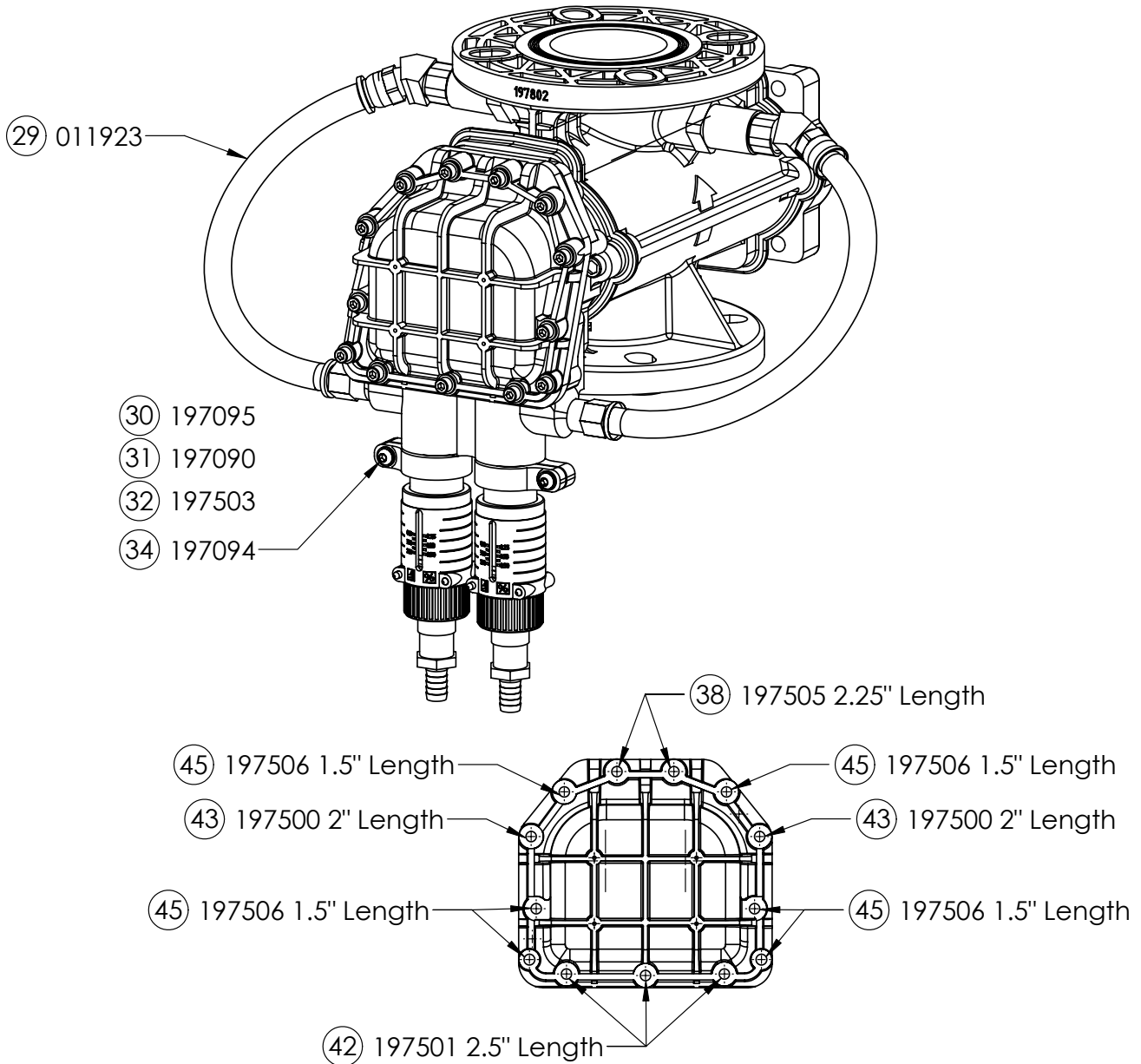


**Lower End Assembly**  
**Ensemble partie basse**  
**Unteres Ende Bausatz**  
**Conjunto Dosificador**  
**Conjunto Dosador**

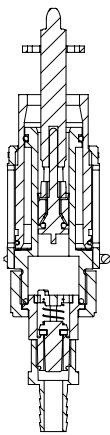
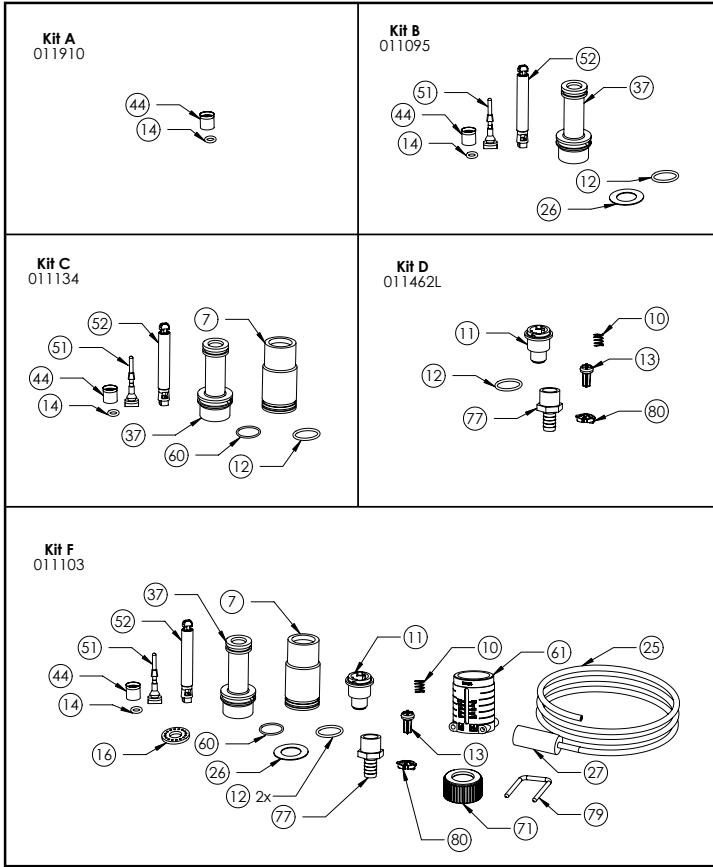


**SCHEMA**  
**INJEKTORREPARATURTEILE**  
**DIAGRAMA**  
**PEÇAS DE REPOSIÇÃO DO DOSADOR**

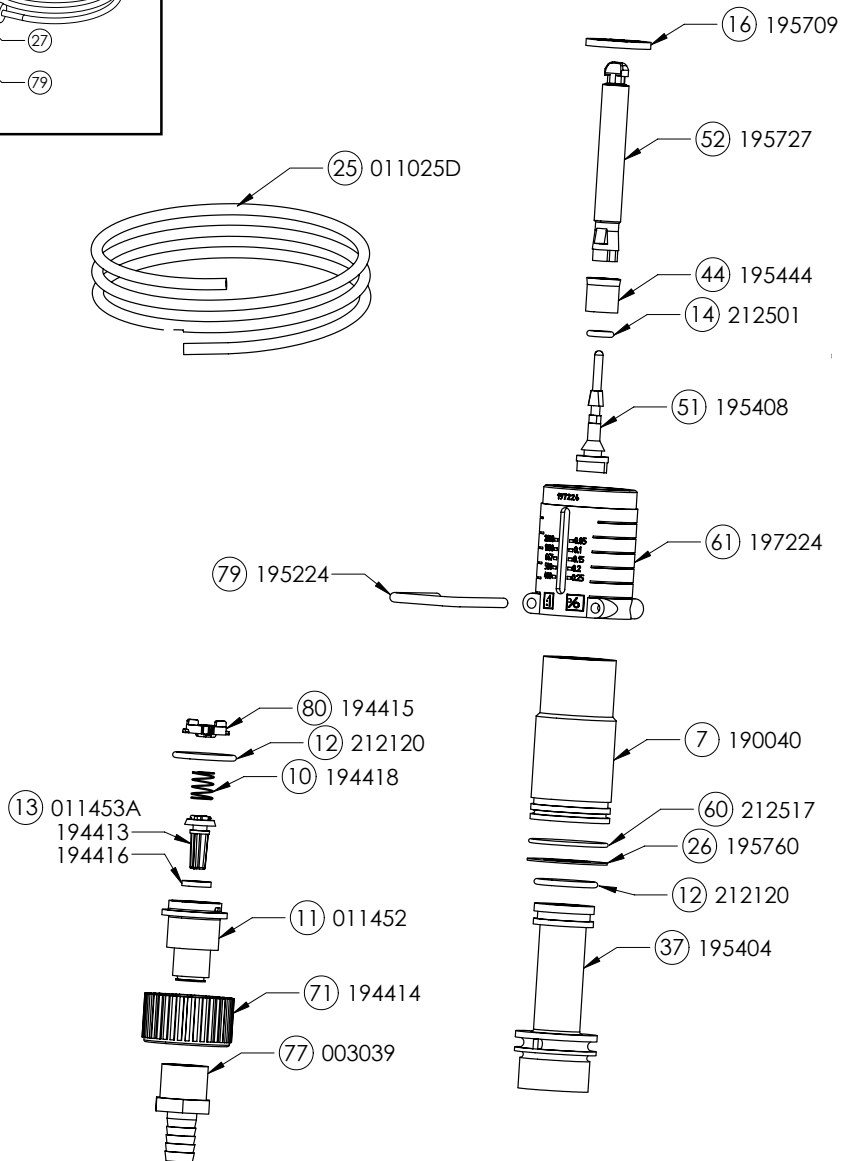
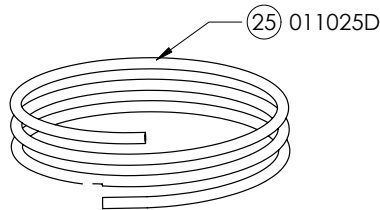
**TurboDos 200**



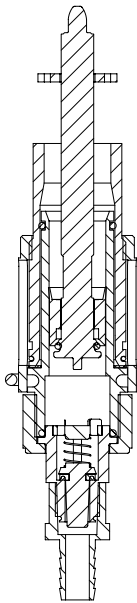
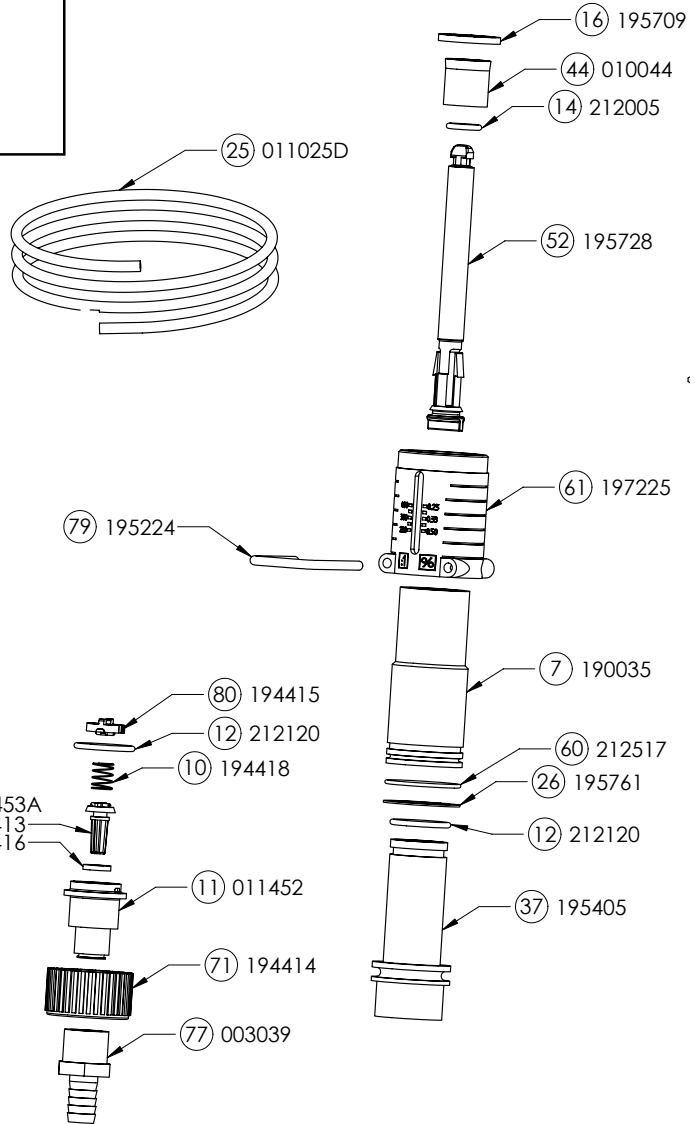
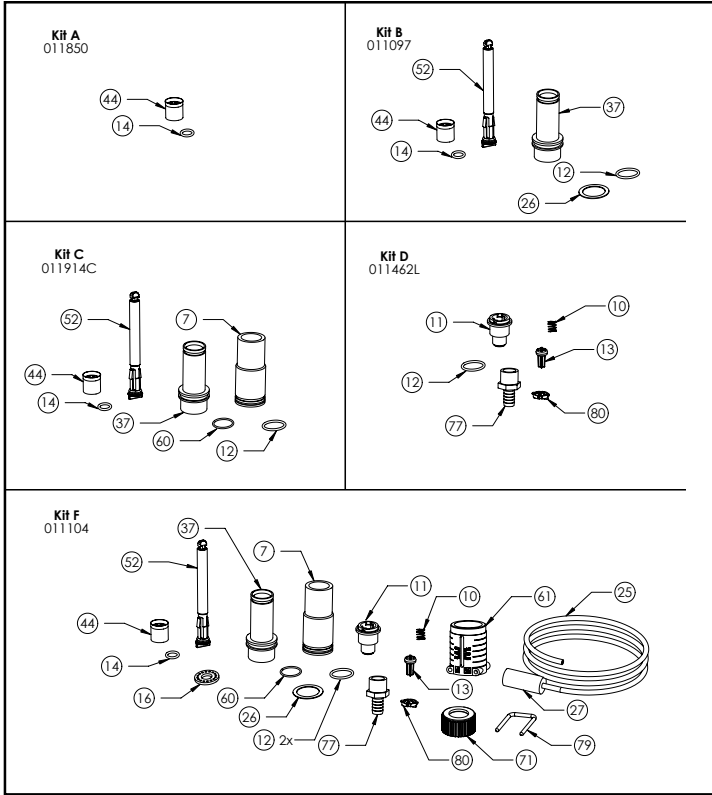
# 0.25%:



**Lower End Assembly**  
**Ensemble partie basse**  
**Unteres Ende Bausatz**  
**Conjunto Dosificador**  
**Conjunto Dosador**

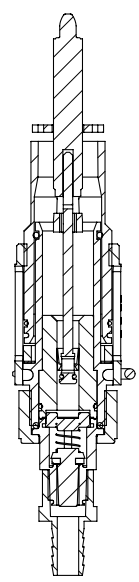
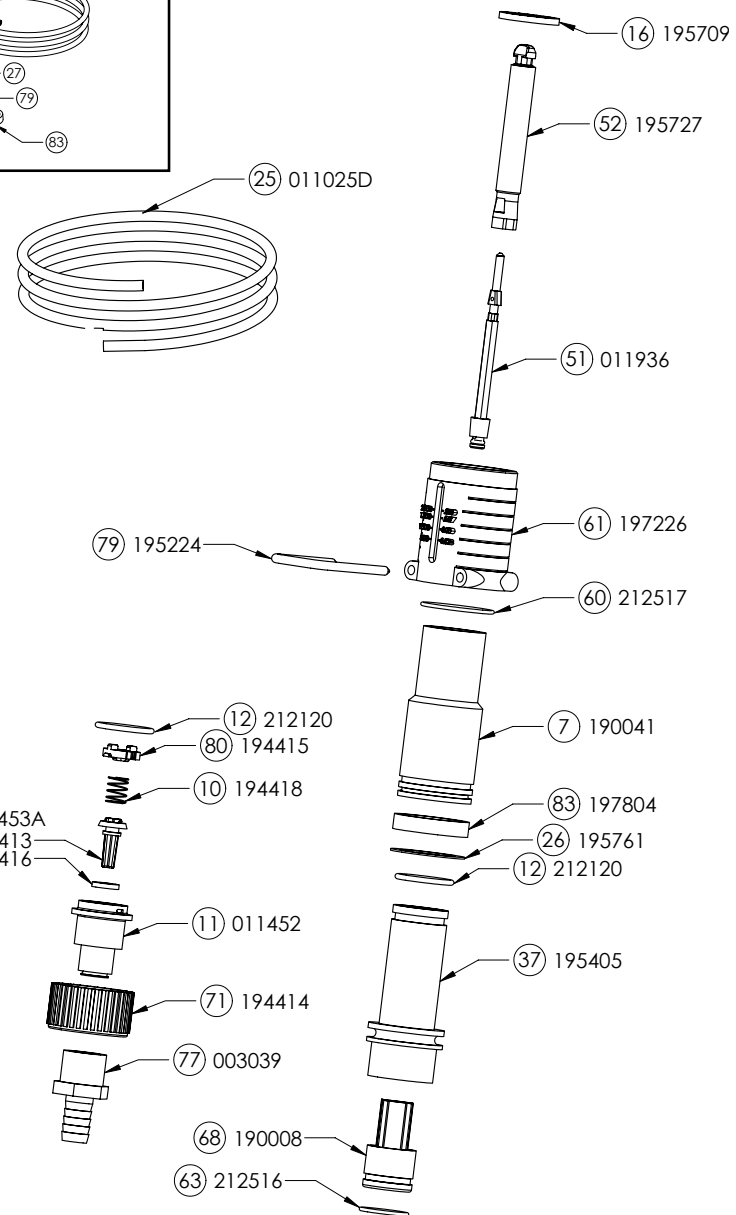
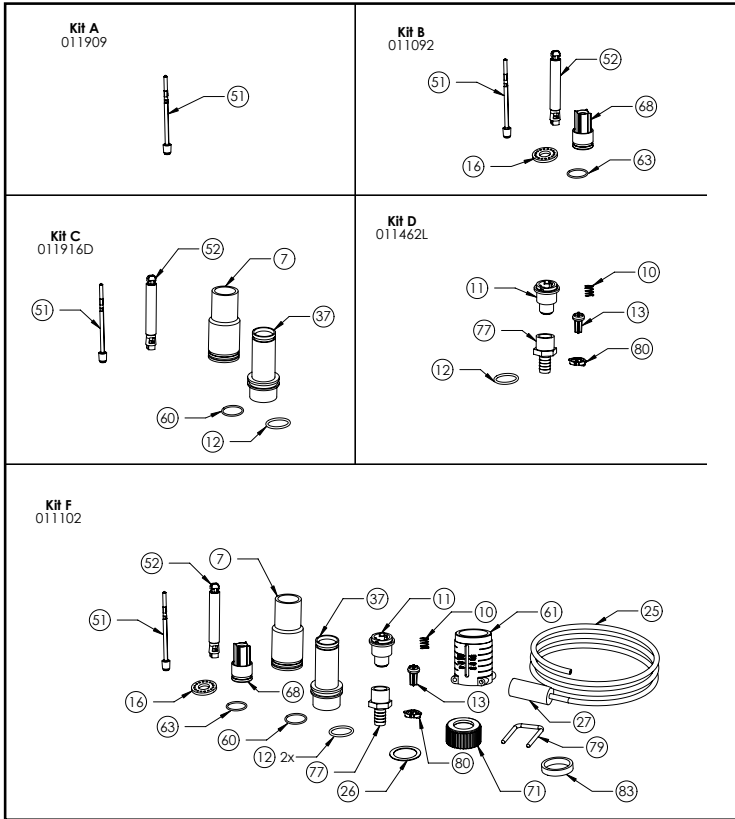


**0.5%:**



**Lower End Assembly**  
**Ensemble partie basse**  
**Unteres Ende Bausatz**  
**Conjunto Dosificador**  
**Conjunto Dosador**

# 0.13%:



**Lower End Assembly**  
**Ensemble partie basse**  
**Unteres Ende Bausatz**  
**Conjunto Dosificador**  
**Conjunto Dosador**

**This page intentionally left blank**

**Twist II Clean Inline Filter®**  
**Filtres en ligne Twist II Clean®**  
**Die Twist II Clean®**  
**Filtros Twist II Clean®**  
**Filtros Twist II Clean®**



- Available In:**  
**Disponible en:**  
**Erhaeltlich in:**  
**Díspõnible En:**  
**Disponível Dentico:**  
**2" - 100 gpm (379 l/mn) 100 psi (7 bar)**  
\* Various mesh sizes available.  
\* Plusieurs tailles disponibles.  
\* Verschiedene Netzgroessen sind erhaeltlich.  
\* Variedad de medidas mesh disponibles.  
\* Disponível em vários mesh.

The Twist II Clean series represents a significant breakthrough in solid filtration. The patented filter technology allows for five second cleaning without disassembly. These products are specifically designed to prevent equipment and system damage from suspended solids and sediments in a water system and are required for injector warranties. At half the price of automatic back flushing systems, these filters are the most cost-effective manual back flush system available.

La gamme des filtres Twist II Clean représente une avancée technologique significative dans le secteur de la filtration. Leur technologie brevetée permet un nettoyage complet en seulement cinq secondes, sans aucun besoin de démontage. Ces produits ont été spécifiquement développés afin de prévenir tous dégâts sur les équipements causés par des particules solides en suspension ou des sédiments présents dans l'eau. Ces types de filtres sont requis pour pouvoir prétendre à la garantie annoncée pour les pompes doseuses. A la moitié du prix de la plupart des filtres concurrents, ces modèles sont la meilleure offre pour un excellent rapport qualité/prix en matière de filtre à flux inversé disponible sur le marché. De plus il n'est pas nécessaire de changer des cartouches souvent très coûteuses.

Die Twist II Clean™ Serie repräsentiert einen signifikanten Durchbruch in Feststofffiltration. Die patentierte Filtertechnologie erlaubt es die Filteranlage in nur fünf Sekunden zu reinigen, ohne sie auseinanderbauen zu müssen. Diese Produkte sind speziell konzipiert worden, um Ihre Ausrüstung vor Schäden durch Ablagerungen und Feststoffen im Wasserkreislauf und ist auch nötig zur Aufrechterhaltung des Garantieschutzes der Dosierpumpen. Halb so teuer wie automatische Schmutzspülsysteme, sind diese Filter die kostengünstigsten manuellen Rückflusssysteme auf dem Markt. Außerdem sind keine teuren Kartuschen von Nöten.

El filtro Twist II Clean ofrece limpieza de retrolavado y carcasa transparente con protector solar opcional. Esta forma única y fácil de quitar el protector solar está disponible para todos los modelos, y ayuda a prevenir el crecimiento de algas a la vez que la carcasa transparente permite verificar el estado del filtro. Otras características de los filtros Twist II Clean: malla del filtro reutilizable hecha de acero inoxidable, componentes de polímeros de alta calidad y mantenimiento sin herramientas. Los filtros Twist II Clean están disponibles en tres tamaños: ¾", 1" y el nuevo de 2". Los modelos de ¾" y 1" tienen una doble conexión roscada para el mercado de los Estados Unidos y los mercados internacionales. El nuevo modelo Twist II Clean de 2" tiene una manija que puede ser trabada que evita la manipulación del filtro o el retrolavado accidental y conexiones de brida para su fácil instalación y estabilidad.

Os filtros Twist II Clean oferecem retrolavado, carcaça transparente com protetor solar opcional. O protetor é único e fácil de quitar está disponível para todos os modelos e assiste em prevenir o crescimento de algas e permite seguir controlando facilmente a malha. Outras características dos filtros Twist II Clean são a malha de aço inoxidável, componentes de polímeros de alto grau duráveis e confiáveis e manutenção sem precisar ferramentas. A gama Twist II Clean inclui três medidas ¾, 1, e o novo de 2 polegadas. Os modelos de ¾" e 1" tem rosca dupla para os mercados estadunidense e internacionais. O novo Twist II Clean com flange de 2" pode-se trancar para prevenir alterações ou retrolavados acidentais. E as conexões flangeadas facilitam a instalação e a estabilidade.



### **Our Mission**

We will design, produce and supply the highest quality products. Offer the highest levels of knowledge and service. We will develop innovative products and solutions for our worldwide partners and customers.

### **Misión**

Diseñaremos, fabricaremos y brindaremos productos de la más alta calidad. Ofrecemos un alto nivel de conocimiento y servicio. Continuaremos desarrollando productos innovadores y soluciones para nuestros clientes y socios en todo el mundo.

### **Our Mission**

Wir werden Produkte höchster Qualität entwerfen, produzieren und anbieten. Und das höchste Niveau an Fachwissen und Service bieten. Wir werden neue innovative Produkte entwickeln und Lösungen für unsere weltweiten Partner und Kunden liefern.

### **Our Mission**

Nous souhaitons développer, fabriquer et fournir des produits de la plus haute qualité. Nous voulons offrir le plus haut niveau de connaissance et de services. Nous allons encore mettre au point des produits et des solutions toujours plus innovantes pour tous nos partenaires et clients à travers le monde.

### **Missão**

Desenharemos, fabricaremos e forneceremos produtos da mais alta qualidade. Brindaremos o melhor nível de serviço e conhecimento possível. Continuaremos desenvolvendo produtos inovadores e soluções para nossos clientes e sócios no mundo todo.



 **Dosmatic**<sup>®</sup>

a Hydro Systems Brand

The Technology Leader In Fluid-Driven Proportional Injectors  
[www.dosmatic.com](http://www.dosmatic.com)