



BIOCIDE FEEDER SPT0104

Package Should Contain:

1. Dissolver on panel
2. Filling cap
3. Float
4. (2) s-hooks
5. Installation Kit
6. Instruction Manual

THANK YOU FOR YOUR INTEREST IN OUR PRODUCTS

Please use this equipment carefully and observe all warnings and cautions.

*****NOTE*****

WEAR

protective clothing and eyewear when dispensing chemicals or other materials or when working in the vicinity of all chemicals, filling or emptying equipment, or changing metering tips.

ALWAYS

observe safety and handling instructions of the chemical manufacturer.

direct discharge away from you or other persons or into approved containers.

dispense cleaners and chemicals in accordance with manufacturer's instructions. Exercise **CAUTION** when maintaining your equipment.

reassemble equipment according to instruction procedures. Be sure all components are firmly screwed or latched into position.

KEEP

equipment clean to maintain proper operation.

UNIT SPECIFICATIONS:

- Weight: -- 26lb. Dry
 -- 65lb. filled with chemical and water
 Dimensions: -- 18 1/4" W X 31" H X 12" D



1. Drill holes for the four wall anchors with a (9/32") drill. Drill the two bottom holes 13-13 1/8" level across, insert wall anchors and thread in screws about 1/2" deep with washer on them.



2. Hang Biocide Feeder on the two bottom screws and drill the top mounting hole locations. Remove unit from the wall and insert top two anchors. Then re-hang the unit, install top mounting screws, and tighten all screws.



3. Install the float using both S-hooks. Verify that the float operation is not obstructed.



4. Connect the water supply to the inlet ball valve push-in fitting. (If you are using copper tubing, use a small section of the supplied tubing and the inline connector to connect the copper tubing to the plastic tubing. This will insure you will have a secure connection on the copper tubing away from the biocide fumes.)



5. Install the fitting (thread sealant not included) you will need to connect to; a feed pump (push-in elbow fitting) or HydroDose (barb fitting) on the side port labeled "Chemical Outlet" and connect your tubing to the fitting. **IMPORTANT: Ball valve at the bottom of the unit is for a drain only. DO NOT draw chemical from this port.**

Continued next page...



6. Remove plug from overflow port and install other fitting into threads and run tube to your floor drain in the case of an overflow situation.
7. Turn on the water supply. The water should stop when the reservoir is full.



8. Remove the shipping cap and paper seal from the chemical jar.
9. Screw the filling cap onto the jar. Make sure that the shutter on the filling cap is fully closed.



10. Invert the jar and place in the hole on the top of the reservoir.



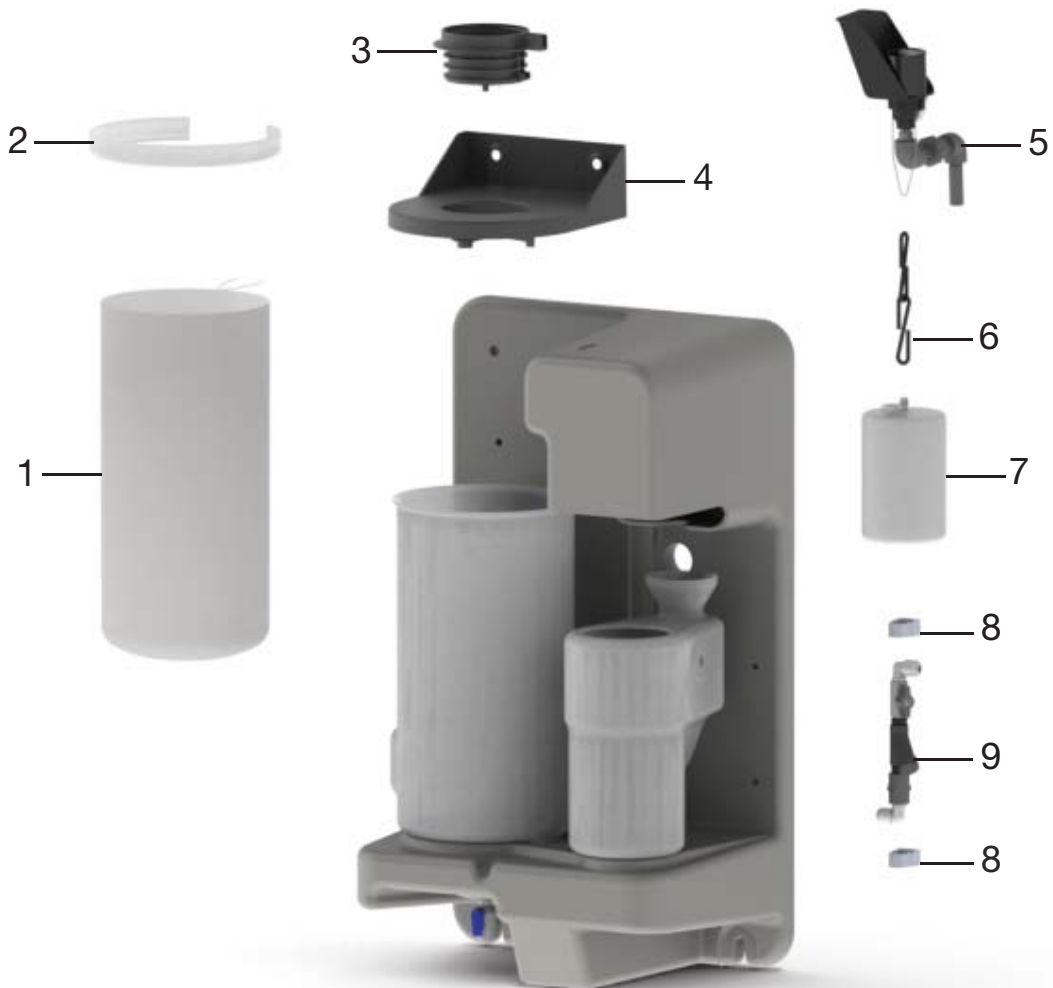
11. Turn the jar 180 degrees to empty the contents into the reservoir.

12. To remove the jar, return the jar and cap to the same position it was when you put the jar into the unit.
13. Add enough jars of chemical to completely fill the reservoir. The final jar may have some of the chemical granules remain in the jar. They will fall into the reservoir as the chemical is used.
14. Leave the final jar in the unit to reduce fumes around the dissolver.
15. Chemical can be added as the chemical is used. There is no need to wait until the dissolver is empty to add more chemical.

Biocide Feeder Service Parts List:

Key	Part #	Description
1	12050420 (10097254*)	Chemical bag
2	12050422 (10097256*)	Bag spreader
3	12050421 (10097255*)	Filling cap
4	12050419 (10097253*)	Reservoir top replacement (Does not include cap)
5	12050424 (10097257*)	Water valve replacement (does not include float)
6	12050425 (10097258*)	S-hooks (set of 2, included with water valve replacement)
7	12050426 (10097259*)	Float (Includes 2 S-hooks)
8	12050418 (10097252*)	Inlet Manifold mounting clips (set of 2)
9	12050417 (10097251*)	Inlet manifold (includes mounting clips)
Not shown:		
	12050457 (10097250*)	Installation kit (Includes 10' of 3/8" tubing, tube fittings, and mounting hardware)

(* Indicates Hydro Systems Co. Part Number)



Troubleshooting Chart:

Problem	Cause	Solution
1. System does not operate	a. No water b. Clogged water inlet strainer c. Primary float valve failure	a. Open water supply b. Disconnect inlet water line and clean strainer c. Clean or replace with valve replacement kit
2. Floats are not turning water flow On/Off	a. Unit not level	a. Make sure unit is level - float hangs level Make sure float is not obstructed
3. Not pulling chemical	a. Unit not level b. No water in reservoir	a. Make sure unit is level b. Make sure float hangs level Make sure float is not obstructed

Note: Colder water temperatures result in a decrease in the chemical dissolve rate.

* Hard water may cause build-up of mineral deposits in water valve. Remove deposits by soaking the valve parts in a deliming solution.

